

# CLAY PAVERS

Beauty Matched with Durability



# PAVING THE WAY

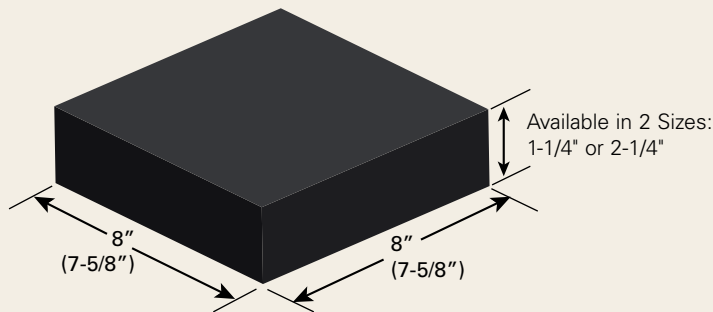
Nationally recognized for their aesthetic beauty and unmatched elegance, Endicott's complete line of brick pavers gracefully enhance any landscape setting.

Available in authentic ironspot colors, these pavers coordinate perfectly with Endicott's extensive array of face brick, tile and pool coping units.

Inherently superior density and compressive strength characteristics combine with Endicott's commitment to quality, to assure a paver product that is unsurpassed.

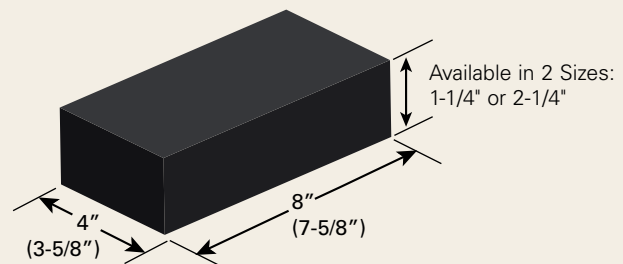
Endicott Pavers are manufactured to meet the requirements of ASTM C902, Class SX, Type 1 or ASTM C1272, Type R or F, Application PS or PX. These pavers exhibit an excellent track record of in-place performance. Laboratory tests document the superior quality of these units for dimensional stability and durability. Test reports are available upon request. Contact Endicott Clay Products Co for samples and the name of the distributor in your area.

## PEDESTRIAN/LIGHT VEHICULAR PAVERS



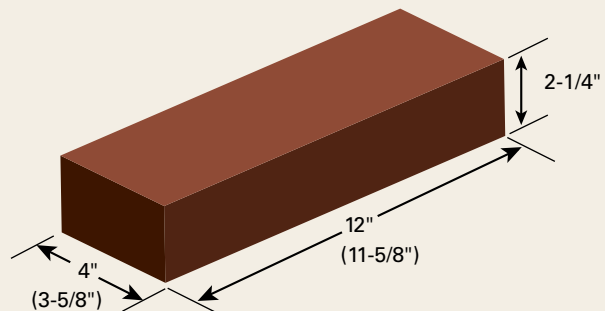
### 8" x 8" Paver

- 2-1/4" x 8" x 8"
- 1-1/4" x 7-5/8" x 7-5/8"\*
- 2-1/4" x 7-5/8" x 7-5/8"



### 4" x 8" Paver

- 1-1/4" x 4" x 8"
- 2-1/4" x 4" x 8"
- 1-1/4" x 3-5/8" x 7-5/8"
- 2-1/4" x 3-5/8" x 7-5/8"



### 4" x 12" Paver

- 2-1/4" x 4" x 12"
- 2-1/4" x 3-5/8" x 11-5/8"

#### Cover: Charles E. Lakin Human Services Campus

Council Bluffs, Iowa  
2-1/4 x 4 x 8 Relieved Edge Lugged Pavers  
Manganese Ironspot  
Medium Ironspot #77  
Coppertone

\* Special Order. Contact Plant for Availability.

2-1/4" thick pavers can be used in Heavy Vehicular applications if set over a rigid (concrete or bituminous) base.

2-1/4" x 4" x 8" Relieved Edge pavers and 2-1/4" Relieved Edge/Lugged pavers are also acceptable for Pedestrian/Light Vehicular traffic applications (See drawings on pages 3 & 4).

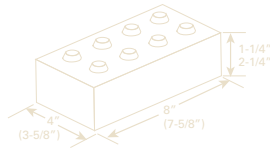




**Hemming Park**  
Jacksonville, Florida  
2-1/4 x 4 x 8 Pavers  
Medium Ironspot #46

**Holladay Street Project**  
Portland, Oregon  
2-1/4 x 4 x 12 Pavers  
Medium Ironspot #46  
Desert Ironspot



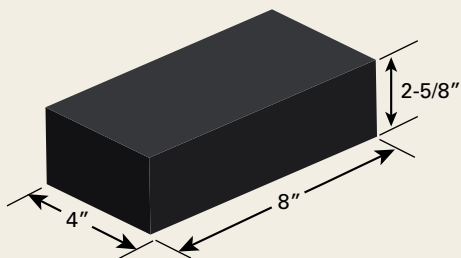


**ConAgra Headquarters**  
 Omaha, Nebraska  
 2-1/4 x 4 x 8 Pavers  
 Medium Ironspot #77



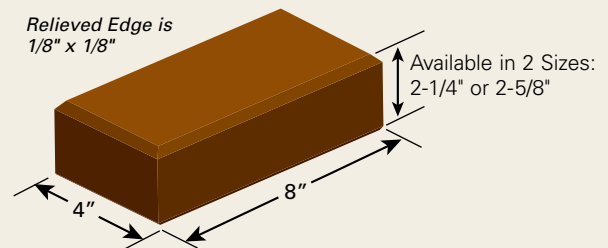
**Marion Street Transit**  
 Tampa Bay, Florida  
 2-1/4 x 4 x 8 Pavers  
 Medium Ironspot #46  
 Medium Ironspot #77

## HEAVY VEHICULAR PAVERS & RELIEVED EDGE/LUGGED PAVERS



**4" x 8"  
 Paver**

- 2-5/8" x 4" x 8"



**4" x 8"  
 Relieved Edge Paver**

- 2-1/4" x 4" x 8"
- 2-5/8" x 4" x 8"

*2-1/4" thick pavers can be used in Heavy Vehicular applications if set over a rigid (concrete or bituminous) base.  
 2-1/4" x 4" x 8" Relieved Edge pavers and 2-1/4" Relieved Edge/Lugged pavers are also acceptable for Pedestrian/Light Vehicular traffic applications.*

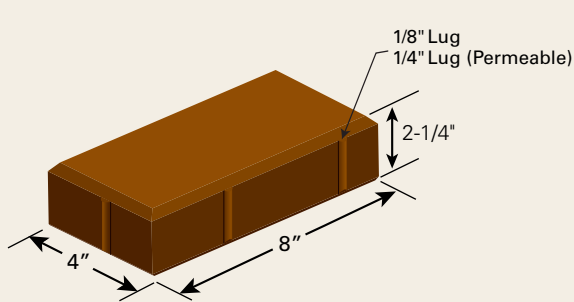


**UNL Campus**

Lincoln, Nebraska  
 4 x 8 Relieved Edge Pavers  
 Medium Ironspot #46

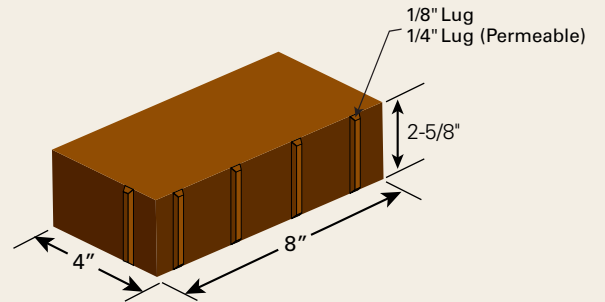
**Heartland Family Service**

Council Bluffs, Iowa  
 2-1/4 x 4 x 8 Lugged Pavers  
 Rose Blend



**2-1/4" x 4" x 8"**  
**Relieved Edge/Lugged Paver**

- 2-1/4" x 4" x 8"
- 2-1/4" x 4" x 8" (Permeable)



**2-5/8" x 4" x 8"**  
**Relieved Edge/Lugged Paver**

- 2-5/8" x 4" x 8"
- 2-5/8" x 4" x 8" (Permeable)

*4" and 8" dimensions INCLUDE the lug. 2-1/4" thick pavers can be used in Heavy Vehicular applications if set over a rigid (concrete or bituminous) base. 2-1/4" x 4" x 8" Relieved Edge pavers and 2-1/4" Relieved Edge/Lugged pavers are also acceptable for Pedestrian/Light Vehicular traffic applications.*

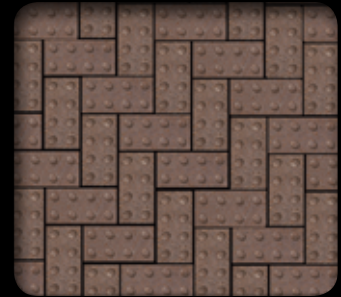




**American Airlines Arena**  
Dallas, Texas



**Typical Bonding Patterns**



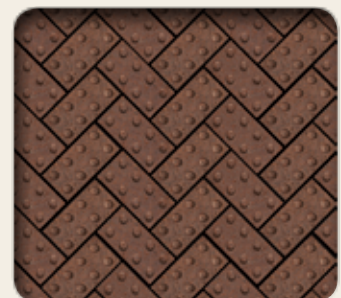
Herringbone 90°



Basket Weave

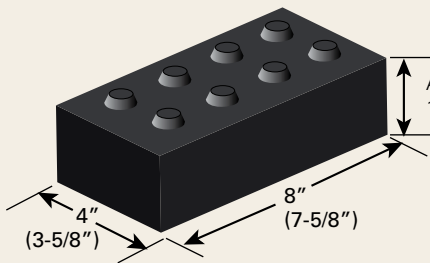


Running Bond



Herringbone 45°

**ADA/HDW PAVER**



Available in 2 Sizes:  
1-1/4" or 2-1/4"

**4" x 8"**  
**ADA/HDW Paver**

- 1-1/4" x 4" x 8"
- 2-1/4" x 4" x 8"
- 1-1/4" x 3-5/8" x 7-5/8"
- 2-1/4" x 3-5/8" x 7-5/8"

# PAVER COLORS



**Bordeaux Blend**



**Coppertone**



**Dark Ironspot**



**Desert Ironspot Light**



**Manganese Ironspot**



**Medium Ironspot #46**



**Red Blend**



**Medium Ironspot #77**



**Rose Blend**



**Dark Ironspot**





SINCE 1920



Endicott has been building one success story after another all across the U.S.

The unique clays found only in Jefferson County, Nebraska, make it possible for Endicott to produce a wide variety of face brick, pavers, tile, thin brick and special shapes that are nationally recognized for their quality and aesthetic beauty.

Endicott products are distributed throughout the United States. For literature, samples and the name of your nearest distributor, contact Endicott today.

Endicott Clay Products Co  
P.O. Box 17  
Fairbury, Nebraska USA 68352  
402/729-3315 FAX: 402/729-5804

Endicott Tile LLC  
P.O. Box 645  
Fairbury, Nebraska USA 68352  
402/729-3323 FAX: 402/729-5804

endicott@endicott.com  
endicott.com



Try our new  
Masonry Designer  
and Virtual Mason  
now at [endicott.com](http://endicott.com)