



firegear
Outdoors
A DIVISION OF SKYTECH PRODUCTS GROUP

OUTDOOR FIRE

PROFESSIONAL CATALOG
FIREGEAR OUTDOORS 2015

TABLE OF CONTENTS

OUTDOOR FIREPLACES	4
◦ OD42	
◦ KWST-42-N	
◦ KWST-82-N	
BURNER SYSTEMS	12
◦ Ignition Systems	
◦ Round	
◦ Square	
◦ Disc	
◦ Non-Listed	
◦ KWB30-N1	
◦ Line of Fire	
◦ Cut Out Dimensions	
◦ Paver Kits	
◦ Ready To Finish Enclosures (RTF)	
◦ Specifications	
BURNERS	39
◦ Burning Spur	
◦ Fire Ring	
JEWELRY	42
◦ Media	
◦ Glass	
◦ How Much Media?	
◦ Log Sets for Fire Pits	
◦ Outdoor Fireplace Log Sets	
ACCESSORIES	51
◦ Controls	
◦ Glass Windshields	
◦ Burner Lids	
◦ Hoses and Regulators	
◦ Key Valves, Keys, and Covers	
◦ MSI Kits	
◦ Flex Lines, Ball Valves and Fittings	
FIRE FURNISHINGS	62
◦ Bistro	
◦ Coffee Table	
◦ Bar	
◦ Inspiration	
POINT OF PURCHASE	72
PIPE SIZING CHART	74
GLOSSARY	75
MAP POLICY	79

“Our goal is to be the No. 1 source for outdoor fireplaces, fire pit burner systems and accessories.”

Dennis Smith, National Sales Manager



Imagine the Possibilities

Firegear Outdoors, a division of Skytech Products Group, has established itself as a leading manufacturer of outdoor firepits, outdoor fireplaces, designer hearth systems, gas logs, and an array of firepit and outdoor fireplace accessories.

Our goal: to design well-loved products that ultimately serve as a warm and inviting backdrop at family gatherings and other memory-making events.

With affordable and reliable products from Firegear Outdoors, we set the stage for endless hours of fun.

Our Story

Skytech Products Group, located in Fort Wayne, Indiana, manufactures a comprehensive line of wireless control systems. The company uses its state-of-the-art, 55,000-square-foot facility to develop innovative systems that support the Firegear Outdoors brand. Skytech Products Group, which has been developing cutting-edge products for 19 years, is nothing short of an industry powerhouse.

Company Philosophy

Stellar customer service is at the heart of what we do. At Skytech Products Group, we strive to help customers before, during and after every sale – and quite honestly, we wouldn't have it any other way.

Our exceptional support team is available Monday through Friday between 8 a.m. and 5 p.m.

Tech Support: 1.855.498.8324

Sales Support: 1.888.672.8929

Or, find us on the web at firegearoutdoors.com. All of our installation manuals are available for download 24 hours a day!

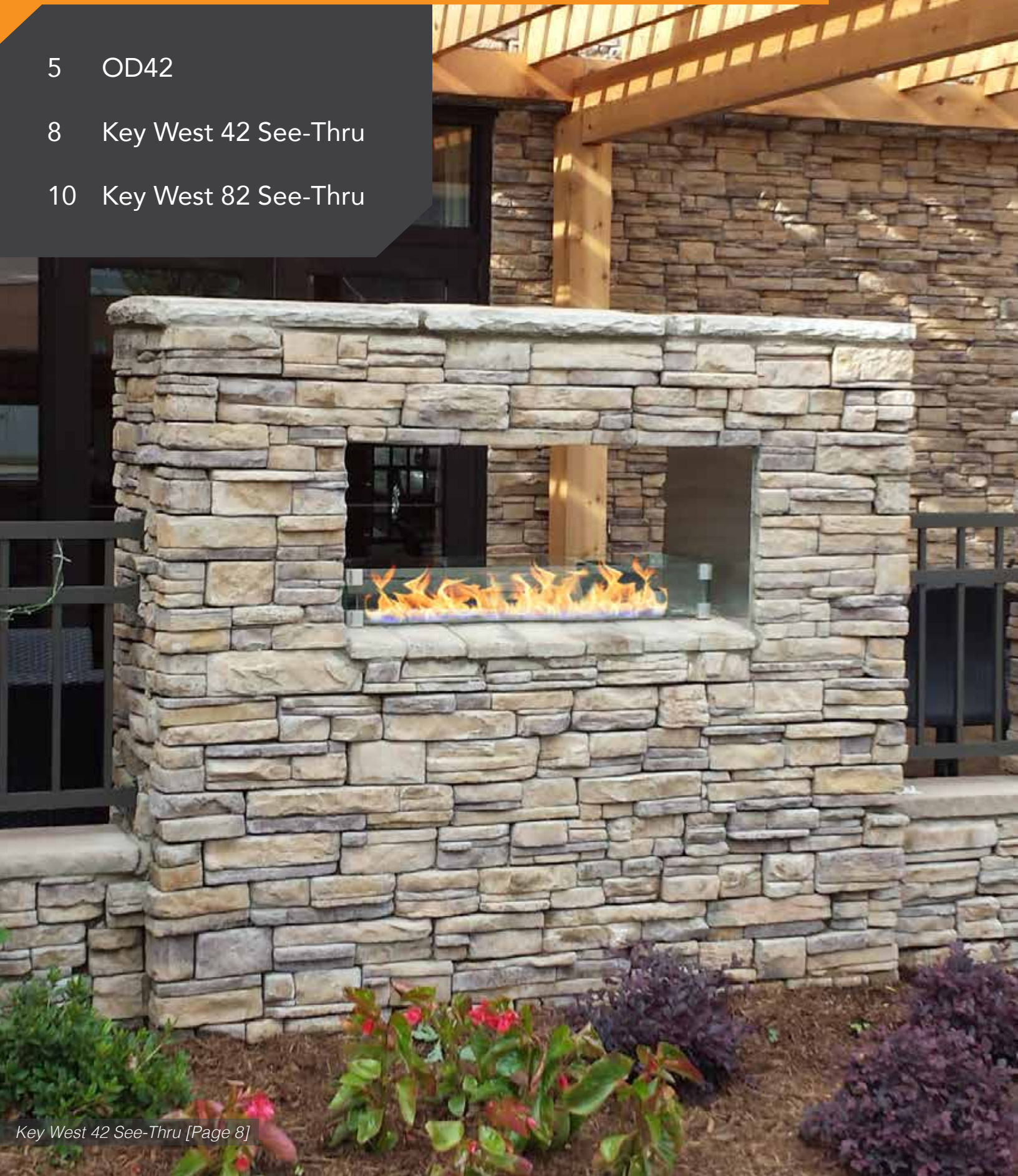


OUTDOOR FIREPLACES

5 OD42

8 Key West 42 See-Thru

10 Key West 82 See-Thru



OD42

Outdoor Ventless Fireplace for Built-In Custom Applications



Features

- 42" Stainless Steel Firebox with Reflective Panels
- 30" Stainless Steel Burner comes with Copper Reflective Fireglass
- Battery Operated Electronic Ignition with Safety Valve. The Safety Valve will turn the gas OFF in case of flame loss
- Includes On/Off Switch
- A Tempered Glass Windshield is included to protect the flame in windy conditions
- Includes your choice of a 2" or 4" Brushed Stainless Steel Faceplate
- Includes Weather Cover to protect your fireplace when not in operation
- Natural Gas and Propane models available - 44,500 BTU Natural Gas / 43,500 BTU Propane Respectively
- 5 Year Consumer Warranty of Stainless Steel Components. 2 Year on Gas Valve, Pilot and Igniter Assembly and Electronic Components.
1 Year all parts in Commercial Applications.



Model	Description 
OD42-N	Outdoor Linear Fireplace includes 2" Brushed Stainless Steel Faceplate, Copper Reflective Glass, Weather Cover, Wall Switch - Natural Gas
OD42-P	Outdoor Linear Fireplace includes 2" Brushed Stainless Steel Faceplate, Copper Reflective Glass, Weather Cover, Wall Switch - Propane
OD42-4-N	Outdoor Linear Fireplace includes 4" Brushed Stainless Steel Faceplate, Copper Reflective Glass, Weather Cover, Wall Switch - Natural Gas
OD42-4-P	Outdoor Linear Fireplace includes 4" Brushed Stainless Steel Faceplate, Copper Reflective Glass, Weather Cover, Wall Switch - Propane

Accessory	Description
326-900	Steel Stud Framing Kit overall dimensions 60" wide x 20" deep x 52 1/2" high [pictured on page 6]
326-930	Driftwood 6 piece Twig Set [pictured on page 47]

OD42 UNIT SPECIFICATIONS

Unit Dimensions

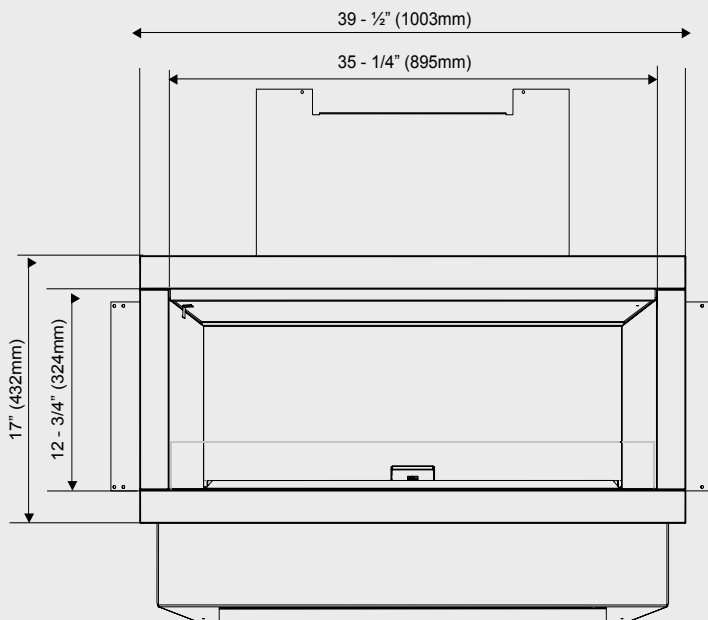
HIGH ELEVATION: This unit is approved from altitude 0 to 4500 ft (CAN12.17-M91)

OD42-N SYSTEM DATA

Max. Supply Pressure	14" WC (3.49 kpa)
Min. Supply Pressure	5" WC (1.25 kpa)
Manifold Pressure	3.5" WC (0.87 kpa)
Orifice Size	#29
Max. Input	44,500 Btu/h (13.04 kW)

OD42-P SYSTEM DATA

Max. Supply Pressure	14" WC (3.49 kpa)
Min. Supply Pressure	11" WC (2.73 kpa)
Manifold Pressure	10" WC (2.49 kpa)
Orifice Size	#47
Max. Input	43,500 Btu/h (12.74 kW)



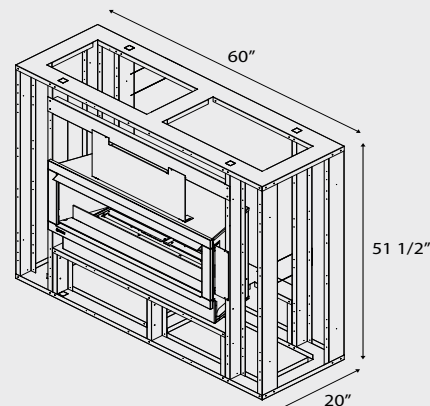
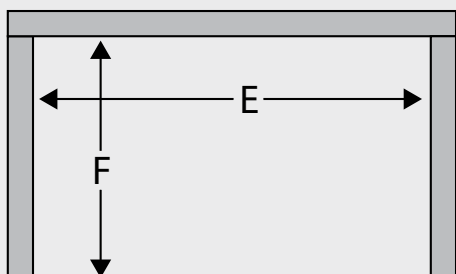
Minimum Clearances to Combustibles

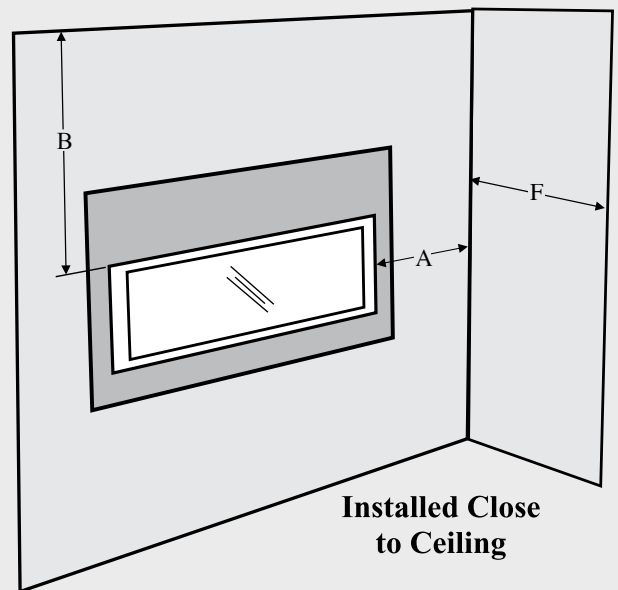
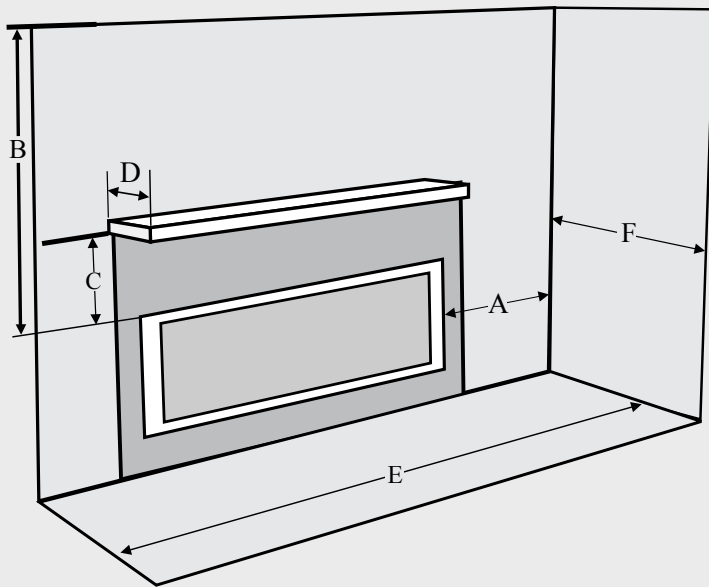
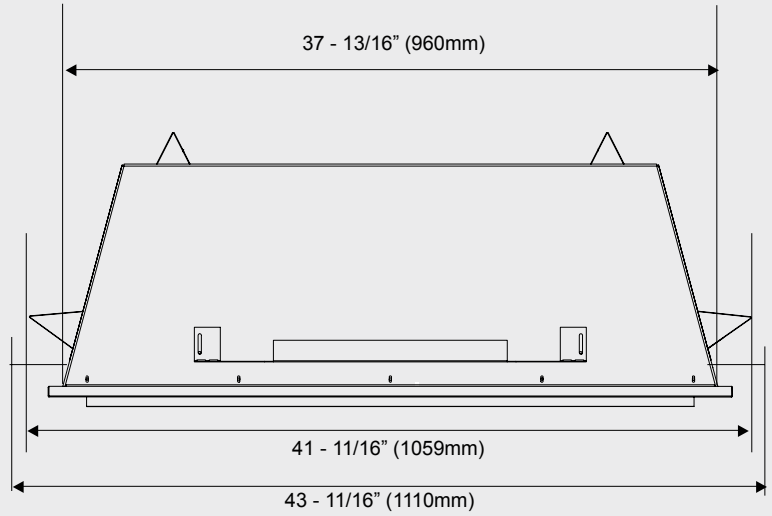
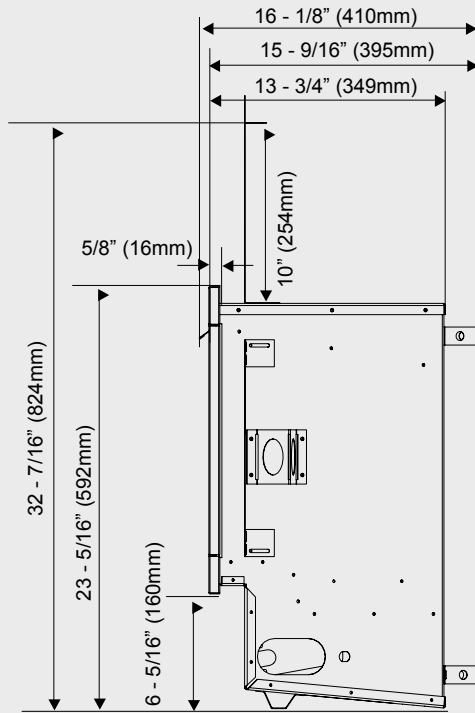
The *clearances listed below are Minimum distances unless otherwise stated

A major cause of fire is failure to maintain required clearances (air space) to combustable materials. It is of the greatest importance that the fireplace be installed only in accordance with these instructions

Clearance	Dimension	Measured From
A: Sidewall	11" (203mm)	Side of fireplace opening
B: Ceiling	36" (914mm)	Top of fireplace opening
C: Mantel Height (min.)	18" (457mm)	Top of fireplace opening
D: Mantel Depth (max.)	12" (304mm)	From wall
E: Alcove Width	57" (1148mm)	Wall to wall (minimum)
F: Alcove Height	36" (914mm)	Front to back wall (Maximum)
Notes:	0"	No hearth required

*This table corresponds with the images on the right





Installed Close to Ceiling

Cross ventilation is required. We strongly suggest when building your fire feature you plan for access to the gas connection and valve systems.

KWST-42-N

Outdoor Ventless See-Thru Fireplace



Features

- 42" Stainless Steel Firebox Opening with Reflective Side Wall and Ceiling Stainless Steel Panels
- Includes Steel Stud Framing Kit, Overall Dimensions: 64 1/16" Wide x 51" Tall x 19" Deep
- 30" Stainless Steel Burner comes with Fireglass
- Battery Operated Electronic Ignition with Safety Valve. The Safety Valve will turn the gas off in case of flame loss
- Ships as Natural Gas, 50,000 BTU - Propane Conversion Kit available (326-969)
- 5 Year Consumer Warranty of Stainless Steel Components. 2 Year on Gas Valve, Pilot and Igniter Assembly and Electronic Components. 1 Year all parts in Commercial Applications.



Model Description

Model	Description
KWST-42-N	KWST-42-N Built In Outdoor See-Thru Fireplace includes: <ul style="list-style-type: none">• Burner• Steel Stud Framing Kit - Knock Down (KD) Ready to assemble, pre-drilled and labeled• Stainless Steel Reflective Side Walls and Ceiling Panel• Fireglass (10 lb.)• Glass Windshield• Glass Windshield Cover• Outdoor Weather Proof On/Off Wall Switch with Battery Compartment

Accessory Description

Accessory	Description
376-969	Propane Conversion Kit for KWST-42-N, 49,000 Btu
326-930	Driftwood 6 piece Twig Set [pictured on page 47]
377-909	Key West See-Thru Kit Propane Drawer Kit to be used with KWST-42/N

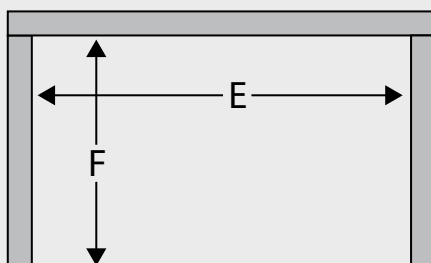
KWST-42-N SPECIFICATIONS

Minimum Clearances to Combustibles

The clearances listed below are Minimum distances unless otherwise stated

A major cause of fire is failure to maintain required clearances (air space) to combustable materials. It is of the greatest importance that the fireplace be installed only in accordance with these instructions

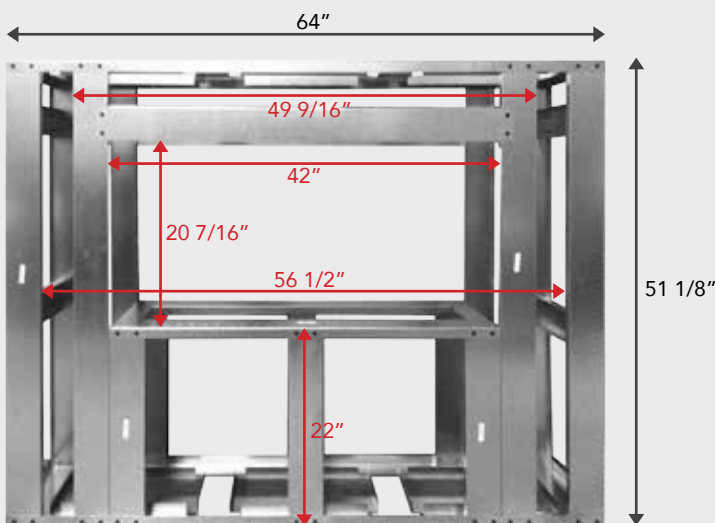
Clearance	Dimension	Measured From
E1: Alcove Width 30"	84" (2134mm)	Wall to wall (min.)
E2: Alcove Width 60"	100" (2540mm)	Wall to wall (min.)
F: Alcove Depth	60" (1524mm)	Front to back wall (max.)
Notes:	0"	No hearth required



HIGH ELEVATION:

This unit is approved from altitude 0 to 4500 ft (CAN12.17-M91)

KWST-42-N Steel Framing Kit



KWB-NG1 SYSTEM DATA

Max. Supply Pressure	14" WC (3.49 kpa)
Min. Supply Pressure	5" WC (1.25 kpa)
Manifold Pressure	3.5" WC (0.87 kpa)
Manifold Pressure-Low	1.6" WC (0.40 kpa)
Orifice Size	#25
Min. Input	30,000 btu/h (8.79 kW)
Max. Output	50,000 btu/h (14.65 kW)

KWB-LP1 SYSTEM DATA After conversion from NG

Max. Supply Pressure	14" WC (3.49 kpa)
Min. Supply Pressure	11" WC (2.75 kpa)
Manifold Pressure	10" WC (2.49 kpa)
Manifold Pressure-Low	6.4" WC (1.59 kpa)
Orifice Size	#45
Min. Input	38,000 btu/h (11.13 kW)
Max. Output	49,000 btu/h (14.36 kW)

Cross ventilation is required. We strongly suggest when building your fire feature you plan for access to the gas connection and valve systems.

KWST-82-N

Outdoor Ventless See-Thru Fireplace



Features

- Ready to Finish Enclosure shown above with 82" Firebox opening. Overall dimensions: 102" Wide x 54 1/2" Tall x 24" Deep
- 60" Stainless Steel Burner comes with Fireglass.
- Battery Operated Electronic Ignition with Safety Valve. The Safety Valve will turn the gas off in case of flame loss.
- Includes a Glass Windshield and Glass Windshield Weather Cover to protect your fireplace when not in operation.
- Ships as Natural Gas, 100,000 BTU - Propane Conversion Kit available (326-969)
- 5 Year Consumer Warranty of Stainless Steel Components. 2 Year on Gas Valve, Pilot and Igniter Assembly and Electronic Components. 1 Year all parts in Commercial Applications.



Model Description

KWST-82-N	KWST-82-N Built In Outdoor See-Thru Fireplace includes: <ul style="list-style-type: none">• Burner• Ready to Finish Frame• Fireglass• Glass Windshield and Glass Windshield Cover• Outdoor Weather Proof On/Off Wall Switch with Battery Compartment
-----------	--

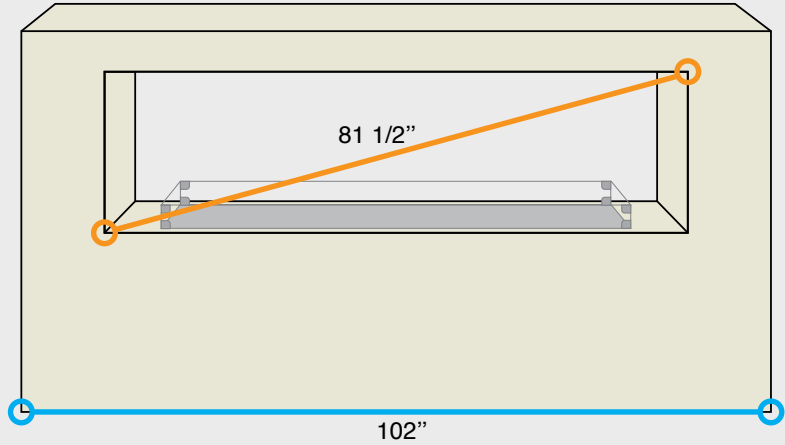
Accessory Description

376-969	Propane Conversion Kit for KWST-82-N, 49,000 Btu - Requires two (2) Propane Conversion Kits
326-930	Driftwood 6 piece Twig Set - Requires two (2) Driftwood piece Twig Sets [pictured on page 47]

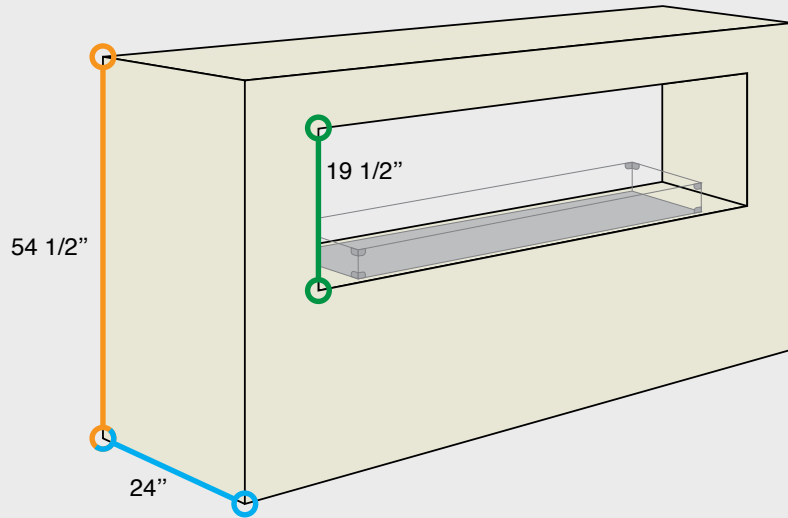
KWST-82-N SPECIFICATIONS

Dimensions

- Opening - Bottom Left to Top Right
- Overall Length



- Height
- Depth
- Opening Height

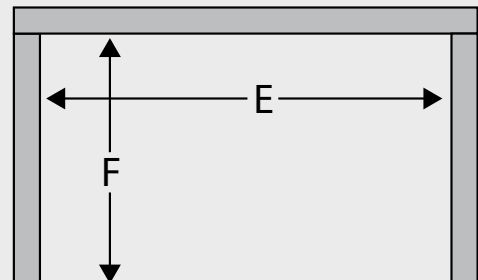


Minimum Clearances to Combustibles

The clearances listed below are Minimum distances unless otherwise stated

A major cause of fire is failure to maintain required clearances (air space) to combustable materials. It is of the greatest importance that the fireplace be installed only in accordance with these instructions

Clearance	Dimension	Measured From
E1: Alcove Width 30"	84" (2134mm)	Wall to wall (min.)
E2: Alcove Width 60"	100" (2540mm)	Wall to wall (min.)
F: Alcove Depth	60" (1524mm)	Front to back wall (max.)
Notes:	0"	No hearth required



HIGH ELEVATION:

This unit is approved from altitude 0 to 4500 ft (CAN12.17-M91)

Cross ventilation is required. We strongly suggest when building your fire feature you plan for access to the gas connection and valve systems.

BURNER SYSTEMS

- 13 Ignition Systems
- 16 Round
- 19 Square
- 20 Disc
- 21 Non-Listed
- 23 KWB30-N1
- 26 Line of Fire
- 27 Cut Out Dimensions
- 28 Paver Kits
- 30 Ready To Finish (RTF)
- 32 Specifications



IGNITION SYSTEMS

Thermocouple Flame Sense **BEST** **TFS**

Thermocouple Flame Sense is an electronic valve ignition and flame monitoring system. Simply press the ON button on the hand held transmitter (provided) and the system will spark to light the flame. The Thermocouple Flame Sense features a safety shut OFF in case of loss of flame and a auto re-ight.



**Picture shows burner without screen cover. Screen cover is required for operation.*

**Picture of Burning Spur tube exposed is for illustration purposes only. Burner tubes should always be covered with media.*

- By pressing the ON button on the Transmitter, the gas will flow and the ignitor will begin sparking in order to light the gas and turn ON the main flame.
- If the main flame is not lit within 15 seconds, the gas will turn OFF, and an error code will sound.
- When the flame has been established, The Thermocouple remains hot enabling the fire pit to operate.
- If the flame were to be extinguished (by either high winds or heavy rain) the Thermocouple will cool down and turn the gas valve OFF. The TFS System will attempt to re-light for fifteen seconds. If the burner does not re-light within the fifteen seconds the burner will go into safety lockout. To unlock, simply press the OFF button on your Transmitter followed by your ON button.
- You can adjust the flame height with the HIGH / LOW buttons on the Transmitter. When turning ON your system for the first time, the default setting is HIGH. After that, the system will remember your last flame adjustment.

Features

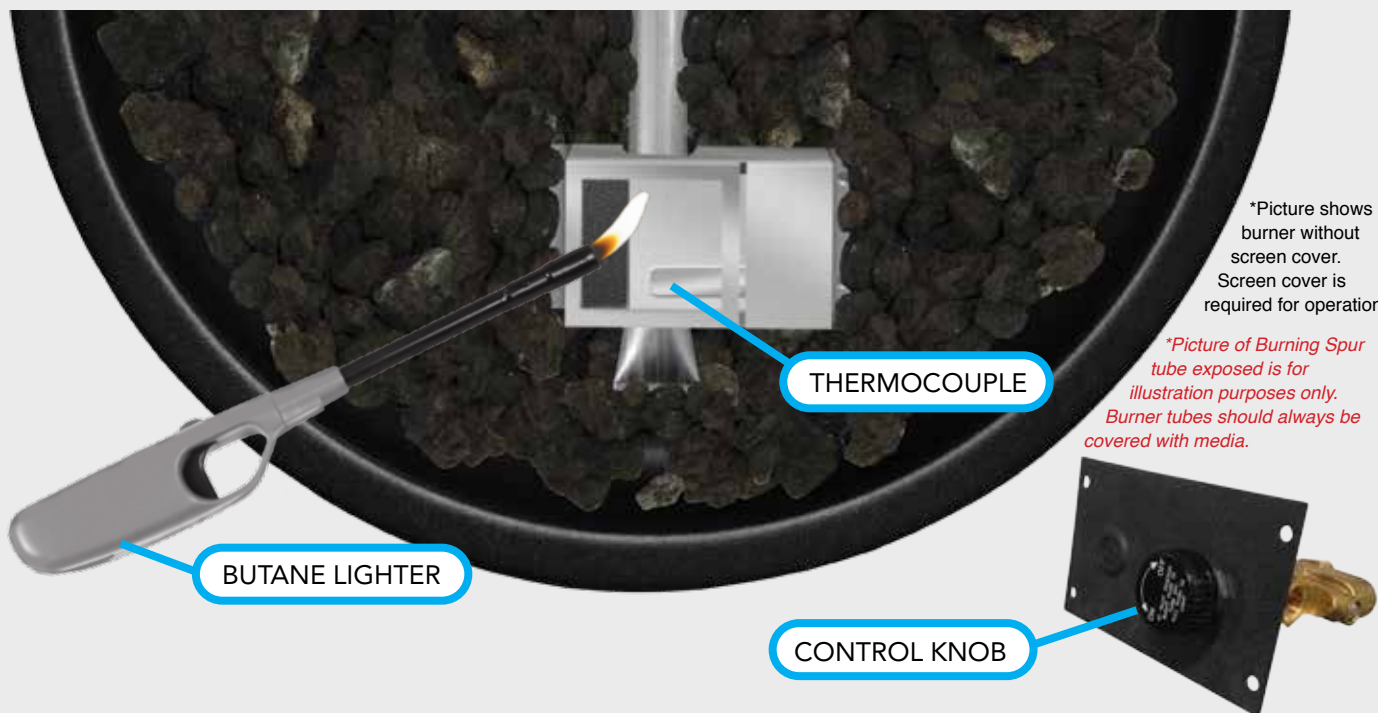
- UL Listed ANSI Z21.97-2014/CSA 2.41-2014
- Thermocouple Flame Sense TFS technology with Reliable Direct Spark Ignition (Non Piloted, Non Filament Systems)
- Battery Operated Electronic Ignition with Safety Valve
- Pans Available in Round, Square and Flat Disc Configurations in a Variety of Sizes
- Ignition System features automatic re-light
- Robust Ignition System with full BTU output
- Includes On/Off/High/Low Remote Control
- 40% - 50% Turn Down From High to Low (varies by model)
- Optional Remotes Include Wireless Timer, Wireless Wall On/Off Switch and Wireless Wall High/Low Wall Controls
- Consumer Warranty: 5 Year on Stainless Steel Components, 3 Year on "G" Series Pans, 2 Year on Electronic Components, Gas Valve, Pilot and Igniter Assembly. Commercial Applications: 1 Year all parts.



Cross ventilation is required. We strongly suggest when building your fire feature you plan for access to the gas connection and valve systems.

Thermocouple Manual Safety **BETTER** TMS

Thermocouple Manual Safety is a millivolt system that operates by rotating the valve control knob to the ON position and depressing inward, while simultaneously lighting the fire pit with a butane lighter. Keep the control knob depressed until the Thermocouple is hot and will maintain flame.



- To light, rotate the control knob counterclockwise to the ON position. Then press and hold the control knob inward and simultaneously light the edge of the burner with a butane lighter. To turn OFF, simply depress the control knob and turn clockwise to the OFF position.
- If the flame were to be extinguished (by either very high winds or heavy rain) the thermocouple will cool down, and the valve will turn the gas OFF.

Features

- UL Listed ANSI Z21.97-2014/CSA 2.41-2014
- Thermocouple Manual Safety TMS Technology (Non Piloted, Non Filament Systems)
- TMS System with Safety Valve, turns Gas Off When Flame Goes Out - Match Throw Ignition
- Robust Ignition System With Full BTU Throughput
- Pans Available in Round, Square and Flat Disc Configurations in a Variety of Sizes
- Optional Manual Spark Igniter “MSI” Kit featuring Piezo Ignition (MSI-BSTMS)
- 5 Year on Stainless Steel Components, 3 Year on “G” Series Pans, 2 Year on Gas Valve, Thermocouple and Igniter Assembly.
- Commercial Applications: 1 Year all parts.



Cross ventilation is required. We strongly suggest when building your fire feature you plan for access to the gas connection and valve systems.

Match Throw GOOD MT

The Match Throw system is by far the easiest system to maintain and understand. Just turn the key valve to on and light the main flame with a butane lighter.



- To light, turn ON your butane lighter and place over the outside edge of the burner. Then place the key into the receptacle on the key valve, and turn to the ON position; this will start the gas flow. This will ignite the main flame.
- CAUTION: In the event of the flame being extinguished, the gas will continue to flow.

Features

- UL Listed ANSI Z21.97-2014/CSA 2.41-2014
- Match Throw System
- Pans Available in Round, Square and Flat Disc Configurations in a Variety of Sizes
- Optional Manual Spark Igniter “MSI” Kit featuring Piezo Ignition (MSI-BSMTI)
- Consumer Warranty: 5 Year on Stainless Steel Components, 3 Year on “G” Series Pans, 2 Year on Gas Valve.
- Commercial Applications: 1 Year all parts.



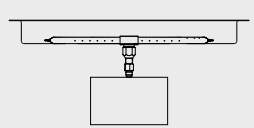
Cross ventilation is required. We strongly suggest when building your fire feature you plan for access to the gas connection and valve systems.

Round Burner Systems



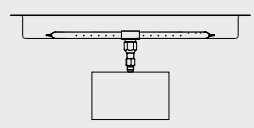
FPB Round Stainless Steel TFS Burner Systems **TFS**

Model	Size	Description
FPB-19RBSTFS-N	19"	19" Stainless Steel Pan with Stainless Steel 16" Burning Spur, TFS Electronic Ignition, for Natural Gas, 80,000 BTU on High, 45,000 BTU on Low
FPB-25RBSTFS-N	25"	25" Stainless Steel Pan with Stainless Steel 22" Burning Spur, TFS Electronic Ignition, for Natural Gas, 105,000 BTU on High, 51,000 BTU on Low
FPB-19RBSTFS-P	19"	19" Stainless Steel Pan with Stainless Steel 16" Burning Spur, TFS Electronic Ignition, for Liquid Propane, 79,000 BTU on High, 47,400 BTU on Low
FPB-25RBSTFS-P	25"	25" Stainless Steel Pan with Stainless Steel 22" Burning Spur, TFS Electronic Ignition, for Liquid Propane, 100,000 BTU on High, 49,500 BTU on Low



FPB Round G90 TFS Burner Systems **TFS**

Model	Size	Description
FPB-G25RBSTFS-N	25"	25" G90 Series Black Pan with Stainless Steel 22" Burning Spur, TFS Electronic Ignition, for Natural Gas, 105,000 BTU on High, 51,000 BTU on Low
FPB-G29RBSTFS-N	29"	29" G90 Series Black Pan with Stainless Steel 22" Burning Spur, TFS Electronic Ignition, for Natural Gas, 105,000 BTU on High, 51,000 BTU on Low
FPB-G33RBSTFS-N	33"	33" G90 Series Black Pan with Stainless Steel 22" Burning Spur, TFS Electronic Ignition, for Natural Gas, 105,000 BTU on High, 51,000 BTU on Low
FPB-G25RBSTFS-P	25"	25" G90 Series Black Pan with Stainless Steel 22" Burning Spur, TFS Electronic Ignition, for Liquid Propane, 100,000 BTU on High, 49,500 BTU on Low
FPB-G29RBSTFS-P	29"	29" G90 Series Black Pan with Stainless Steel 22" Burning Spur, TFS Electronic Ignition, for Liquid Propane, 100,000 BTU on High, 49,500 BTU on Low
FPB-G33RBSTFS-P	33"	33" G90 Series Black Pan with Stainless Steel 22" Burning Spur, TFS Electronic Ignition, for Liquid Propane, 100,000 BTU on High, 49,500 BTU on Low



Accessories for Round TFS Burner Systems

TMR-AF1/TX	Wireless Wall Timer [pictured on page 52]
1001D/TX	Wireless Wall On/Off Switch [pictured on page 52]
1322 WT	Wireless Wall High/Low Switch [pictured on page 52]
AF-4000ADP24[80]	A/C Adapter for TFS Systems, 7.5 DCV, with 24" wires [pictured on page 53]
LID-19R	FPB Series Round Stainless Steel Lid for 19" with Brushed Finish [pictured on page 53]
LID-G25R	FPB Series Round Lid for 25" with Black Finish [pictured on page 53]
LID-25R	FPB Series Round Stainless Steel Lid for 25" with Brushed Finish [pictured on page 53]
LID-G29R	FPB Series Round Lid for 29" with Black Finish [pictured on page 53]
LID-G33R	FPB Series Round Lid for 33" with Black Finish [pictured on page 53]



FPB Round Stainless Steel TMS Burner Systems **TMS**    



Model	Size	Description
FPB-19RBSTMS-N	19"	19" Stainless Pan with Stainless Steel 16" Burning Spur, TMS Ignition, for Natural Gas, 65,500 BTU
FPB-25RBSTMS-N	25"	25" Stainless Pan with Stainless Steel 22" Burning Spur, TMS Ignition, for Natural Gas, 65,500 BTU



FPB Round G90 TMS Burner Systems **TMS**    



Model	Size	Description
FPB-G25RBSTMS-N	25"	25" G90 Series Black Pan with Stainless Steel 22" Burning Spur, TMS Ignition, for Natural Gas, 65,000 BTU
FPB-G29RBSTMS-N	29"	29" G90 Series Black Pan with Stainless Steel 22" Burning Spur, TMS Ignition, for Natural Gas, 65,500 BTU
FPB-G33RBSTMS-N	33"	33" G90 Series Black Pan with Stainless Steel 22" Burning Spur, TMS Ignition, for Natural Gas, 65,500 BTU

Accessories for Round TMS Burner Systems

OAS-LP41	Liquid Propane (LP) Conversion Kit. Converts fire pit from Natural Gas to LP Gas. Includes: Orifice/Air Shutter, rating plate label sticker and instructions For use with FPB-G19,25/29/33RBSTMS-N
MSI-BSTMS	Manual Spark Ignition Kit for FPB Series TMS Systems featuring the Burning Spur. Kit Includes: Spark Igniter Module, Ignition Hood, Ignition Hood Screen, 2-Probe Spark Igniter, Burner Rain Shield and Bracket, Ignition wiring, AAA Battery [pictured on page 54]
LID-19R	FPB Series Round Stainless Steel Lid for 19" with Brushed Finish [pictured on page 53]
LID-G25R	FPB Series Round G90 Galvanized Lid for 25" with Black Finish [pictured on page 53]
LID-25R	FPB Series Round Stainless Steel Lid for 25" with Brushed Finish [pictured on page 53]
LID-G29R	FPB Series Round G90 Galvanized Lid for 29" with Black Finish [pictured on page 53]
LID-G33R	FPB Series Round G90 Galvanized Lid for 33" with Black Finish [pictured on page 53]



FPB Round Stainless Steel MT Burner Systems **MT**   



Model	Size	Description
FPB-19RBSMT-N	19"	19" Stainless Pan with 16" Stainless Steel Burning Spur, MT Ignition, for Natural Gas, 65,000 BTU
FPB-25RBSMT-N	25"	25" Stainless Pan with 22" Stainless Steel Burning Spur, MT Ignition, for Natural Gas, 65,000 BTU



FPB Round G90 MT Burner Systems **MT**   



Model	Size	Description
FPB-G16RBSMT-N	16"	16" G90 Series Black Pan with 12" Stainless Steel Burning Spur, MT Ignition, for Natural Gas, 45,000 BTU
FPB-G25RBSMT-N	25"	25" G90 Series Black Pan with 22" Stainless Steel Burning Spur, MT Ignition, for Natural Gas, 65,000 BTU
FPB-G29RBSMT-N	29"	29" G90 Series Black Pan with 22" Stainless Steel Burning Spur, MT Ignition, for Natural Gas, 65,000 BTU
FPB-G33RBSMT-N	33"	33" G90 Series Black Pan with 22" Stainless Steel Burning Spur, MT Ignition, for Natural Gas, 65,000 BTU

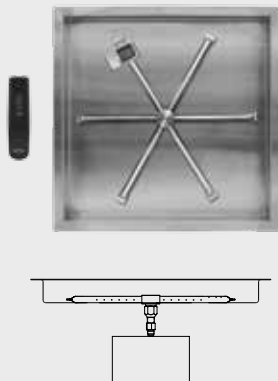
Accessories for Round MT Burner Systems

OAS-LP47	Liquid Propane (LP) Conversion Kit. Converts fire pit from Natural Gas to LP Gas. Includes: Orifice/Air Shutter, rating plate label sticker and instructions - For use with FPB-G16RBSMT-N, 45,000 BTU
OAS-LP41	Liquid Propane (LP) Conversion Kit. Converts fire pit from Natural Gas to LP Gas. Includes: Orifice/Air Shutter, rating plate label sticker and instructions For use with FPB-G25/29/33RBSMT-N, FPB-19/25/20/26/32/38RBSMT-N, 65,000 BTU
MSI-BSMTI	Manual Spark Ignition Kit for FPB Series Match Throw Systems featuring the Burning Spur. Kit includes: Mounting Plate, Spark Igniter Module, Ignition Hood, Ignition Hood Screen, 2-Probe Spark Igniter, Burner Rain Shield and Bracket, Ignition Wiring, AAA Battery [pictured on page 69]

Square Burner Systems



FPB Square Stainless Steel TFS Burner Systems **TFS**     



Model	Size	Description
FPB-20SBSTFS-N	20"	20" Stainless Steel Pan with Stainless Steel 16" Burning Spur, TFS Electronic Ignition, for Natural Gas, 80,000 BTU on High, 48,000 BTU on Low
FPB-26SBSTFS-N	26"	26" Stainless Steel Pan with Stainless Steel 22" Burning Spur, TFS Electronic Ignition, for Natural Gas, 105,000 BTU on High, 51,000 BTU on Low
FPB-32SBSTFS-N	32"	32" Stainless Steel Pan with Stainless Steel 22" Burning Spur, TFS Electronic Ignition, for Natural Gas, 105,000 BTU on High, 51,000 BTU on Low
FPB-38SBSTFS-N	38"	38" Stainless Steel Pan with Stainless Steel 22" Burning Spur, TFS Electronic Ignition, for Natural Gas, 110,000 BTU on High, 66,000 BTU on Low
FPB-20SBSTFS-P	20"	20" Stainless Steel Pan with Stainless Steel 16" Burning Spur, TFS Electronic Ignition, for Liquid Propane, 79,000 BTU on High, 47,400 BTU on Low
FPB-26SBSTFS-P	26"	26" Stainless Steel Pan with Stainless Steel 22" Burning Spur, TFS Electronic Ignition, for Liquid Propane, 100,000 BTU on High, 49,500 BTU on Low
FPB-32SBSTFS-P	32"	32" Stainless Steel Pan with Stainless Steel 22" Burning Spur, TFS Electronic Ignition, for Liquid Propane, 100,000 BTU on High, 49,500 BTU on Low
FPB-38SBSTFS-P	38"	38" Stainless Steel Pan with Stainless Steel 22" Burning Spur, TFS Electronic Ignition, for Liquid Propane, 100,000 BTU on High, 60,000 BTU on Low

Accessories for Square TFS Burner Systems

TMR-AF1/TX	Wireless Wall Timer [pictured on page 52]
1001D/TX	Wireless Wall On/Off Switch [pictured on page 52]
1322 WT	Wireless Wall High/Low Switch [pictured on page 52]
AF-4000ADP24[80]	A/C Adapter for TFS Systems, 7.5 DCV, with 24" wires [pictured on page 52]
LID-20S	FPB Series Square Stainless Steel Lid for 20" with Brushed Finish [pictured on page 53]
LID-26S	FPB Series Square Stainless Steel Lid for 26" with Brushed Finish [pictured on page 53]
LID-32S	FPB Series Square Stainless Steel Lid for 32" with Brushed Finish [pictured on page 53]
LID-38S	FPB Series Square Stainless Steel Lid for 38" with Brushed Finish [pictured on page 53]



FPB Square Stainless Steel TMS Burner Systems

Model	Size	Description
FPB-20SBSTMS-N	20"	20" Stainless Steel Pan with Stainless Steel 16" Burning Spur, TMS Ignition, for Natural Gas, 65,000 BTU
FPB-26SBSTMS-N	26"	26" Square Stainless Steel Pan with Stainless Steel 22" Burning Spur, TMS Ignition, for Natural Gas, 65,000 BTU
FPB-32SBSTMS-N	32"	32" Square Stainless Steel Pan with Stainless Steel 22" Burning Spur, TMS Ignition, for Natural Gas, 65,000 BTU
FPB-38SBSTMS-N	38"	38" Square Stainless Steel Pan with Stainless Steel 22" Burning Spur, TMS Ignition, for Natural Gas, 65,000 BTU



Accessories for Square Stainless TMS Burner Systems

OAS-LP41	Liquid Propane (LP) Conversion Kit. Converts fire pit from Natural Gas to LP Gas. Includes: Orifice/Air Shutter, rating plate label sticker and instructions For use with FPB-G25/29/33RBSMT-N, FPB-19/25/20/26/32/38RBSTMS-N, 65,000 BTU
MSI-BSTMS	Manual Spark Ignition Kit for FPB Series TMS Systems featuring the Burning Spur. Kit Includes: Spark Igniter Module, Ignition Hood, Ignition Hood Screen, 2-Probe Spark Igniter, Burner Rain Shield and Bracket, Ignition wiring, AAA Battery [pictured on page 54]
LID-20S	FPB Series Square Stainless Steel Lid for 20" with Brushed Finish [pictured on page 53]
LID-26S	FPB Series Square Stainless Steel Lid for 26" with Brushed Finish [pictured on page 53]
LID-32S	FPB Series Square Stainless Steel Lid for 32" with Brushed Finish [pictured on page 53]
LID-38S	FPB Series Square Stainless Steel Lid for 38" with Brushed Finish [pictured on page 53]



FPB Square Stainless Steel MT Burner Systems

Model	Size	Description
FPB-20SBSMT-N	20"	20" Square Stainless Steel Pan with Stainless Steel 16" Burning Spur, MT Ignition, for Natural Gas, 65,000 BTU
FPB-26SBSMT-N	26"	26" Square Stainless Steel Pan with Stainless Steel 22" Burning Spur, MT Ignition, for Natural Gas, 65,000 BTU
FPB-32SBSMT-N	32"	32" Square Stainless Steel Pan with Stainless Steel 22" Burning Spur, MT Ignition, for Natural Gas, 65,000 BTU
FPB-38SBSMT-N	38"	38" Square Stainless Steel Pan with Stainless Steel 22" Burning Spur, MT Ignition, for Natural Gas, 65,000 BTU



Accessories for Square MT Burner Systems

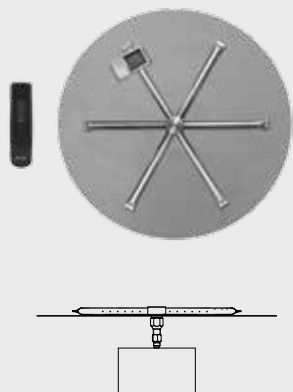
OAS-LP41	Liquid Propane (LP) Conversion Kit. Converts fire pit from Natural Gas to LP Gas. Includes: Orifice/Air Shutter, rating plate label sticker and instructions For use with FPB-G25/29/33RBSMT-N, FPB-19/25/20/26/32/38RBSMTS-N
MSI-BSMTI	Manual Spark Ignition Kit for FPB Series Match Throw Systems featuring the Burning Spur. Kit includes: Mounting Plate, Spark Igniter Module, Ignition Hood, Ignition Hood Screen, 2-Probe Spark Igniter, Burner Rain Shield and Bracket, Ignition Wiring, AAA Battery
LID-20S	FPB Series Square Stainless Steel Lid for 20" with Brushed Finish [pictured on page 53]
LID-26S	FPB Series Square Stainless Steel Lid for 26" with Brushed Finish [pictured on page 53]
LID-32S	FPB Series Square Stainless Steel Lid for 32" with Brushed Finish [pictured on page 53]
LID-38S	FPB Series Square Stainless Steel Lid for 38" with Brushed Finish [pictured on page 53]

Flat Disc Burner Systems



FPB Flat Disc TFS Burner Systems **TFS** * UL NG LP 🇨🇦

Model	Size	Description
FPB-34DBSTFS-N	34"	34" Round Stainless Steel Disc, Stainless Steel 22" Burning Spur, TFS Electronic Ignition, for Natural Gas, 105,000 BTU on High, 51,000 BTU on Low
FPB-44DBSTFS-N	44"	44" Round Stainless Steel Disc, Stainless Steel 22" Burning Spur, TFS Electronic Ignition, for Natural gas, 110,000 BTU on High, 66,000 BTU on Low
FPB-34DBSTFS-P	34"	34" Round Stainless Steel Disc, Stainless Steel 22" Burning Spur, TFS Electronic Ignition, for Liquid Propane, 100,000 BTU on High, 49,500 BTU on Low
FPB-44DBSTFS-P	44"	44" Round Stainless Steel Disc, Stainless Steel 22" Burning Spur, TFS Electronic Ignition, for Liquid Propane, 100,000 BTU on High, 60,000 BTU on Low



Accessories for Flat Disc TFS Burner Systems

TMR-AF1/TX	Wireless Wall Timer [pictured on page 52]
1001D/TX	Wireless Wall On/Off Switch [pictured on page 52]
1322 WT	Wireless Wall High/Low Switch [pictured on page 52]
AF-4000ADP24[80]	A/C Adapter for TFS Systems, 7.5 DCV, with 24" wires [pictured on page 52]



FPB Flat Disc TMS Burner Systems **TMS** * UL NG 🇨🇦

Model	Size	Description
FPB-34DBSTMS-N	34"	34" Round Stainless Steel Disc with Stainless Steel 22" Burning Spur, TMS Ignition, for Natural Gas, 65,000 BTU
FPB-44DBSTMS-N	44"	44" Round Stainless Steel Disc with Stainless Steel 22" Burning Spur, TMS Ignition, for Natural Gas, 65,000 BTU



Accessories for Stainless Flat Disc TMS Burner Systems

OAS-LP41	Liquid Propane (LP) Conversion Kit. Converts fire pit from Natural Gas to LP Gas. Includes: Orifice/Air Shutter, rating plate label sticker and instructions For use with FPB-34, 44DBSTMS-N, 65,000 BTU
MSI-BSTMS	Manual Spark Ignition Kit for FPB Series TMS Systems featuring the Burning Spur. Kit Includes: Spark Igniter Module, Ignition Hood, Ignition Hood Screen, 2-Probe Spark Igniter, Burner Rain Shield and Bracket, Ignition wiring, AAA Battery [pictured on page 54]



FPB Flat Disc MT Burner Systems MT ⊗ UL NG

Model	Size	Description
FPB-34DBSMT-N	34"	34" Stainless Steel Disc, 22" Stainless Steel Burning Spur, MT Ignition, for Natural Gas, 65,000 BTU
FPB-44DBSMT-N	44"	44" Stainless Steel Disc, 22" Stainless Steel Burning Spur, MT Ignition, for Natural Gas, 65,000 BTU



Accessories for Stainless Flat Disc MT Burner Systems

OAS-LP41	Liquid Propane (LP) Conversion Kit. Converts fire pit from Natural Gas to LP Gas. Includes: Orifice/Air Shutter, rating plate label sticker and instructions - For use with FPB-34/44DBSMT-N
MSI-BSMTI	Manual Spark Ignition Kit for FPB Series Match Throw Systems featuring the Burning Spur. Kit includes: Mounting Plate, Spark Igniter Module, Ignition Hood, Ignition Hood Screen, 2-Probe Spark Igniter, Burner Rain Shield and Bracket, Ignition Wiring, AAA Battery [pictured on page 54]

Non-Listed Burner Systems

FPB Round G90 Non-Listed MT Burner Systems ⊗ NG

Model	Size	Description
FPB-G25RBS22MT-N	25"	25" G90 Series Round Black Pan with 22" Stainless Steel Burning Spur, MT Ignition, for Natural Gas, 100,000 BTU
FPB-G29RBS22MT-N	29"	29" G90 Series Round Black Pan with 22" Stainless Steel Burning Spur, MT Ignition, for Natural Gas, 100,000 BTU
FPB-G33RBS31MT-N	33"	33" G90 Series Round Black Pan with 31" Stainless Steel Burning Spur, MT Ignition, for Natural Gas, 160,000 BTU

Accessories for Round G90 Non-Listed MT Burner Systems

OAS-LP35	Propane Conversion Kit (Orifice/Air Shutter) for 22" Burning Spur, 99,000 BTU
OAS-LP29	Propane Conversion Kit (Orifice/Air Shutter) for 31" Burning Spur, 150,000 BTU





FPB Round Stainless Steel Non-Listed MT Burner Systems



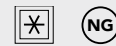
Model	Size	Description
FPB-19RBS16MT-N	19"	19" Round Stainless Steel Pan, Stainless Steel 16" Burning Spur, MT, for Natural Gas, 60,000 BTU
FPB-25RBS22MT-N	25"	25" Round Stainless Steel Pan, Stainless Steel 22" Burning Spur, MT, for Natural Gas, 100,000 BTU

Accessories for Round Stainless Steel Non-Listed MT Burner Systems

OAS-LP45	Propane Conversion Kit (Orifice/Air Shutter) for 16" Burning Spur, 55,000 BTU
OAS-LP35	Propane Conversion Kit (Orifice/Air Shutter) for 22" Burning Spur, 99,000 BTU



FPB Square Stainless Steel Non-Listed MT Burner Systems



Model	Size	Description
FPB-20SBS16MT-N	20"	20" Square Stainless Steel Pan, Stainless Steel 16" Burning Spur, MT, for Natural Gas, 60,000 BTU
FPB-26SBS22MT-N	26"	26" Square Stainless Steel Pan, Stainless Steel 22" Burning Spur, MT, for Natural Gas, 100,000 BTU
FPB-32SBS31MT-N	32"	32" Square Stainless Steel Pan, Stainless Steel 31" Burning Spur, MT, for Natural Gas, 160,000 BTU
FPB-38SBS36MT-N	38"	38" Square Stainless Steel Pan, Stainless Steel 36" Burning Spur, MT, for Natural Gas, 183,000 BTU

Accessories for Square Stainless Steel Non-Listed MT Burner Systems

OAS-LP45	Propane Conversion Kit (Orifice/Air Shutter) for 16" Burning Spur, 55,000 BTU
OAS-LP35	Propane Conversion Kit (Orifice/Air Shutter) for 22" Burning Spur, 99,000 BTU
OAS-LP29	Propane Conversion Kit (Orifice/Air Shutter) for 31" Burning Spur, 150,000 BTU
OAS-LP25	Propane Conversion Kit (Orifice/Air Shutter) for 36" Burning Spur, 182,000 BTU



FPB Flat Disc Non-Listed MT Burner Systems



Model	Size	Description
FPB-34DBS31MT-N	34"	34" Round Stainless Steel Disc, 31" Stainless Steel Burning Spur, MT Ignition, for Natural Gas, 160,000 BTU
FPB-44DBS36MT-N	44"	44" Round Stainless Steel Disc, 36" Stainless Steel Burning Spur, MT Ignition, for Natural Gas, 183,000 BTU

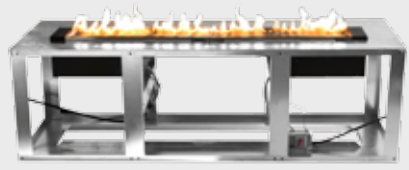
Accessories for Flat Disc Non-Listed MT Burner Systems

OAS-LP29	Propane Conversion Kit (Orifice/Air Shutter) for 31" Burning Spur, 150,000 BTU
OAS-LP25	Propane Conversion Kit (Orifice/Air Shutter) for 36" Burning Spur, 182,000 BTU



KWB30-N1


Key West Linear
Burner for Built-In
Custom Applications



Features

- 30" Stainless Steel Burner
- Battery Operated Electronic Ignition with Safety Valve. The Safety Valve will turn the gas off in case of flame loss.
- Adjustable Burner Tray flanges allow varying thickness's of tops from 1/2" to 2 3/8" thick
- Ships as Natural Gas, 50,000 BTU - Propane Conversion Kit available (376-969)
- Tested and Listed by Intertek for installation in USA and Canada - 5 Year Limited Lifetime Warranty



Model	Description 
KWB30-N1	KWB30-N1 Burner for Built-In Custom Applications includes: <ul style="list-style-type: none"> • 30" Stainless Steel Linear Burner • Electronic Ignition • Outdoor Weather Proof On/Off Wall Switch with Battery Compartment • Requires 10 lb of Fireglass (sold seperately) • Natural Gas

Accessory	Description
GWS-4312	Tempered Glass Windshield - 43 1/2" x 12 7/8" x 7 1/2" Tall [pictured on page 52]
GWS-8512	Tempered Glass Windshield - 85" x 12 7/8" x 7 1/2" Tall - for use with (2) KWB30-N1 [pictured on page 52]
376-969	Propane Conversion Kit for KWB30-N1, 49,000 BTU

KWB30-N1 UNIT SPECIFICATIONS

Unit Dimensions

Framing materials must be non-combustable when used within 4" of the unit. Combustable framing materials may be used outside the 4" clearance range.

HIGH ELEVATION: This unit is approved from altitude 0 to 4500 ft (CAN12.17-M91)

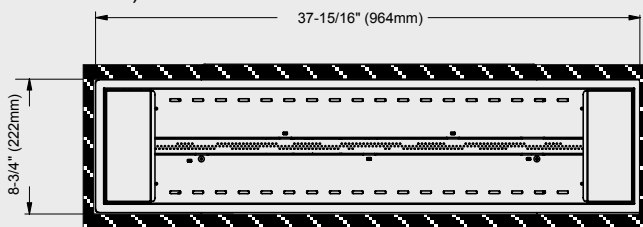
Finished Materials MUST be non-combustible.

KWB30-N1 SYSTEM DATA

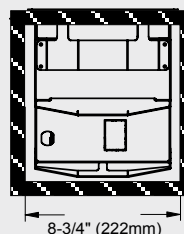
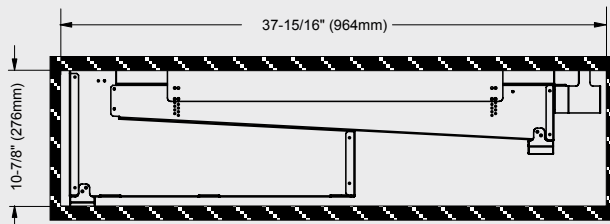
Max. Supply Pressure	14" WC (3.49 kpa)
Min. Supply Pressure	5" WC (1.25 kpa)
Manifold Pressure	3.5" WC (0.87 kpa)
Manifold Pressure-Low	1.6" WC (0.40 kpa)
Orifice Size	#25 DMS
Min. Input	30,000 Btu/h (8.79 kW)
Max. Input	50,000 Btu/h (14.65 kW)

KWB30-L1 SYSTEM DATA *Converted to LP with 376-969

Max. Supply Pressure	14" WC (3.49 kpa)
Min. Supply Pressure	11" WC (2.73 kpa)
Manifold Pressure	10" WC (2.49 kpa)
Manifold Pressure-Low	6.4" WC (1.59 kpa)
Orifice Size	#45 DMS
Min. Input	38,000 Btu/h (11.13 kW)
Max. Input	49,000 Btu/h (14.36 kW)



**TOP MATERIAL CUT-OUT DIMENSION:
36 7/16" Long x 8 1/4" Wide**

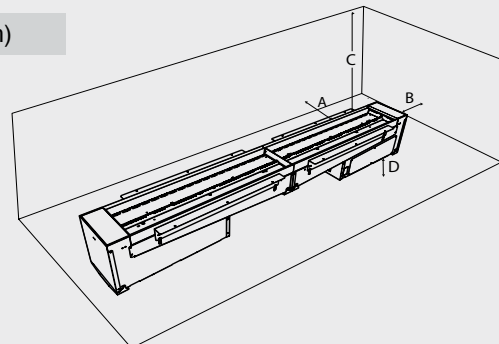
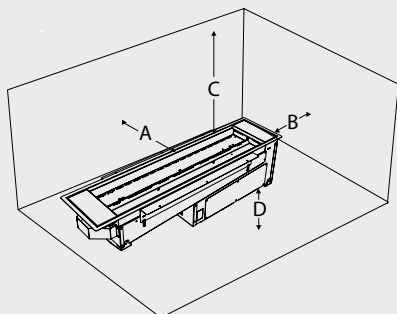
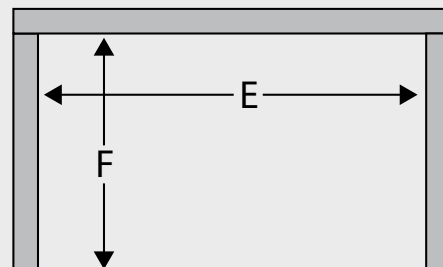


Minimum Clearances to Combustibles

The *clearances listed below are Minimum distances unless otherwise stated

A major cause of fire is failure to maintain required clearances (air space) to combustable materials. It is of the greatest importance that the fireplace be installed only in accordance with these instructions

Clearance	Dimension	Measured From
A: Back Wall	17" (432mm)	Burner to back wall
B: Sidewall	17" (432mm)	Burner to side wall
C: Ceiling	45" (1143mm)	Burner to ceiling
D: Unit Base	1" (25mm)	Unit base to combustable
E1: Alcove Width 30"	84" (2134mm)	Wall to wall (Minimum)
E2: Alcove Width 60"	100" (2540mm)	Wall to wall (Minimum)
F: Alcove Depth	60" (1524mm)	Front to back wall (Maximum)
Notes:	0"	No hearth required

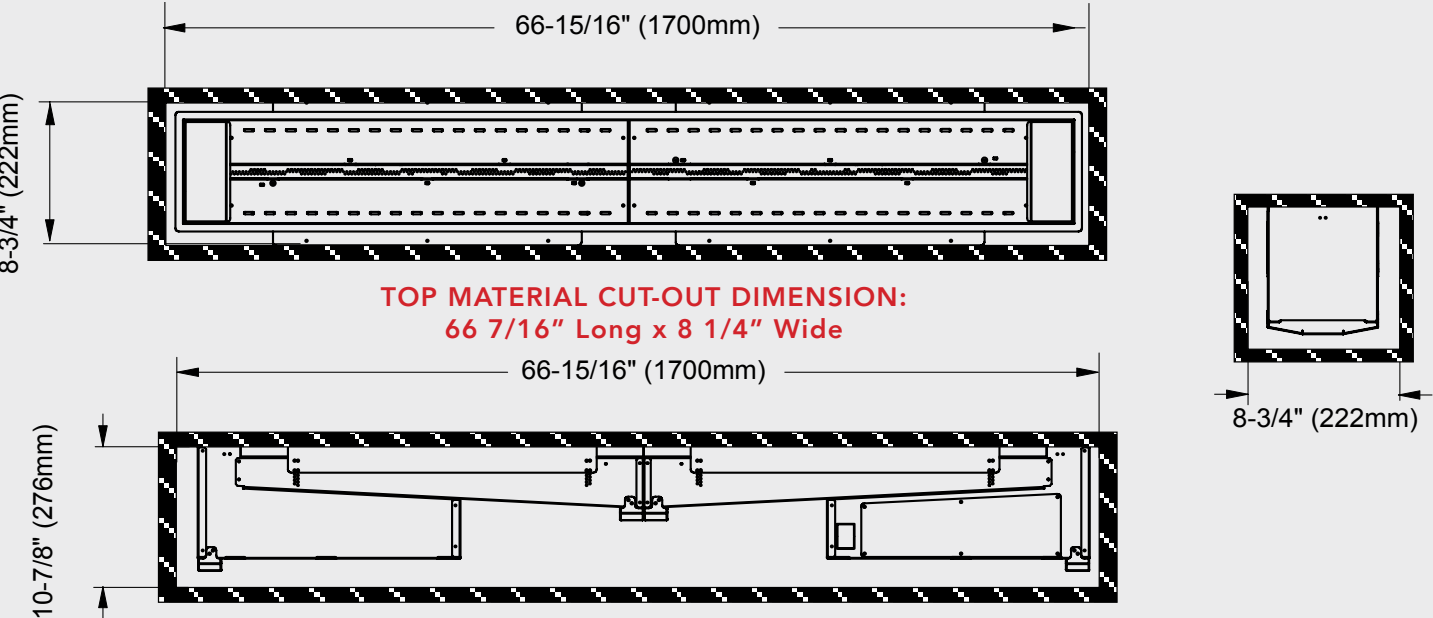


Cross ventilation is required. We strongly suggest when building your fire feature you plan for access to the gas connection and valve systems.

KWB60 UNIT SPECIFICATIONS

Unit Dimensions

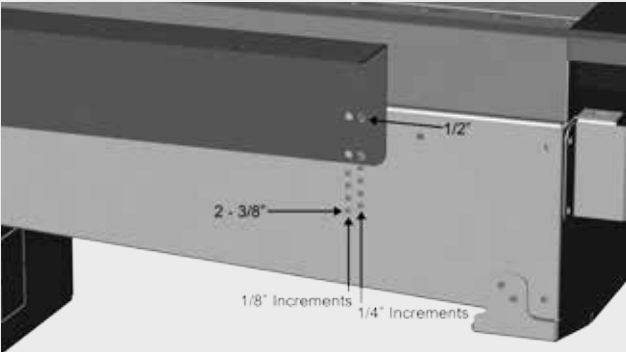
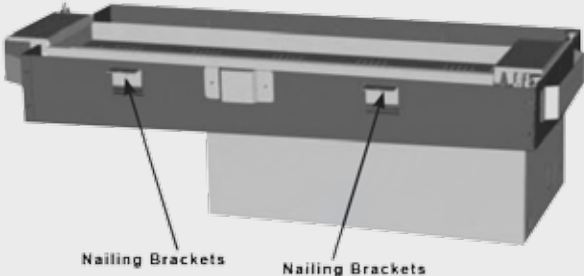
The KWB60 is two KWB units assembled end to end.



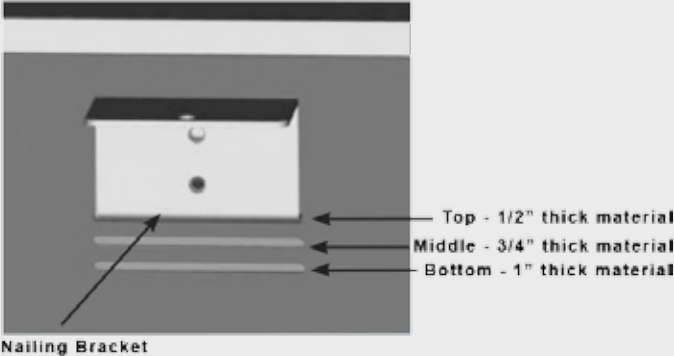
Finishing

Side nailing brackets are adjustable for material from a minimum of 1/2" thick up to a maximum of 1" thick.

Side nailing brackets are adjustable in 1/4" or 1/2" increments. Each hole on the inside line is 1/8", each hole on the outside line is 1/4". Determine the thickness of the finishing material before adjusting the nailing strips/



Determine total thickness of top facing and adjust nailing brackets. Top facing material is to be brought to unit edge for a finished look.



Cross ventilation is required. We strongly suggest when building your fire feature you plan for access to the gas connection and valve systems.

Line of Fire

Linear Match Throw Burner System



Features

- Choice of Match Throw or “MSI” Manual Spark Ignition Systems
- Orifice, 1/2” OD Flare x 1/2” MIP, 46” Stainless Gas Flex Connector, 1/2” OD Flare x 1/2” FIP
- Key Valve, Polished Chrome Cover and 8” Polished Chrome Key

Model	Size	Description
LOF-30MT-N	30”	30” Stainless Steel Pan & Burner, MT Ignition, for Natural Gas, 45,000 BTU
LOF-36MT-N	36”	36” Stainless Steel Pan & Burner, MT Ignition, for Natural Gas, 65,000 BTU
LOF-30MSI-N	30”	30” Stainless Steel Burner, MSI Ignition for Natural Gas, 45,000 BTU
LOF-36MSI-N	36”	36” Stainless Steel Burner, MSI Ignition for Natural Gas, 65,000 BTU

Accessory	Description
OAS-LP49	Propane Conversion Kit (Orifice/Air Shutter) for LOF-30 Series. 43,000 BTU
OAS-LP41	Propane Conversion Kit (Orifice/Air Shutter) for LOF-36 Series. 65,000 BTU
LID-30L	Line of Fire Stainless Steel Lid for 30” with Brushed Finish
LID-36L	Line of Fire Stainless Steel Lid for 36” with Brushed Finish

Fire Pit Burner Cut Out Dimensions

Round Pans

Pan Size	Pan Depth	Min/Max Cutout Opening	Inside Pan	Above Ground Level	Lid
19" Round	2.5"	19.25"/21.5"	19"	8"	LID-19R
25" Round	2.75"	25.25"/27.5"	25"	8"	LID-25R
16" Round (G90)	2.5"	16.50"/17.875"	15.875"	8"	LID-G16R
25" Round (G90)	2.5"	25.25"/27.5"	23.875"	8"	LID-G25R
29" Round (G90)	2.75"	30.00"/31.35"	29.5"	8"	LID-G29R
33" Round (G90)	2.75"	34.00"/35.25"	33"	8"	LID-G33R

Square Pans

Pan Size	Pan Depth	Min/Max Cutout Opening	Inside Pan	Above Ground Level	Lid
20" Square	2.75"	20.25"/21.25"	20"	8"	LID-20S
26" Square	2.75"	26.25"/27.75"	26"	8"	LID-26S
32" Square	2.75"	32.25"/33.75"	32"	8"	LID-32S
38" Square	2.75"	38.25"/39.75"	38"	8"	LID-38S

Line of Fire

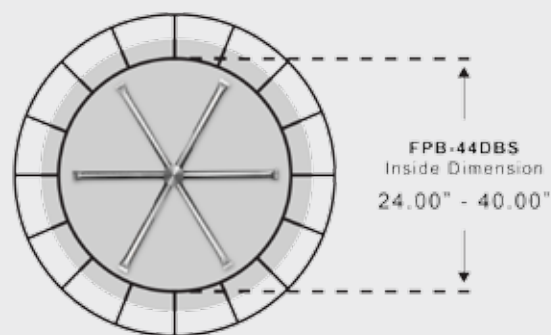
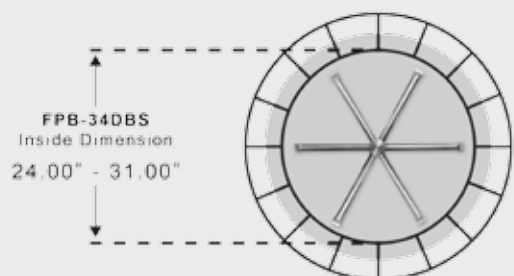
Pan Size	Pan Depth	Min/Max Cutout Opening	Inside Pan	Above Ground Level	Lid
30" Linear	2.75"	6" - 7 1/2" x 30 1/4" - 31 3/4" L	30"	6"	LID-30L
36" Linear	2.75"	6" - 7 1/2" x 36 1/4" - 37 3/4" L	36"	6"	LID-36L

Flat Disc - For use with Landscape Block Fire Pits

FPB Model	Use with Inside Dimensions Below	Above Ground Level
FPB-34DBS	24.00" - 31.00"	18"
FPB-44DBS	24.00" - 40.00"	18"

Drawings illustrate Disc overlapping on pavers. We recommend being able to maintain access below the Disc for service when necessary which may include removing the cap/top material.

You can also place the disc inside the opening and support from below.



Paver Kits

Choosing Your Components

Step 1: Pick your Brick Paver

Pick out your favorite brick paver to build your fire pit.



Step 2 : Pick your Fire Pit Burner System



TMS MT

See Page 16 for sizes



TMS MT

See Page 16 for sizes



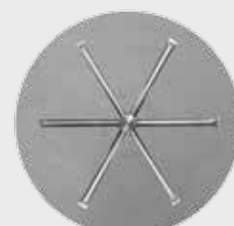
MT

See Page 26 for sizes



TMS MT

See Page 19 for sizes



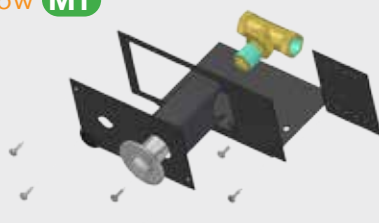
TMS MT

See Page 21 for sizes

Step 3 : Select your Paver Kit Control Panel to match your Burner System

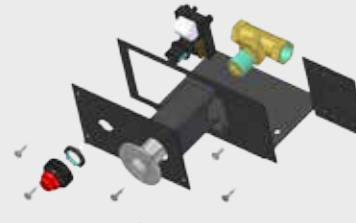
If you need an explanation of the TMS and MT systems, see pages 14 – 15. Note: Valves pictured are included as a component of the FPB Series Burner System. PAVER-KIT-TMS and Paver Kit TMS-MSI cannot be used with LOF Series Burner Systems.

Match Throw **MT**



PAVER-KIT-MT

For use when building fire pit enclosures with pavers - for Match Throw "MT" Burner Systems. Includes: Face Plate for Key Valve with Rubber Plug for MSI hole, Paver Kit Bracket and Extender, Screws and Fittings.
Key Valve Kit purchased separately as part of the FPB Series Kit.



PAVER-KIT-MT-MSI

For use when building fire pit enclosures with pavers - for Match Throw "MT" Burner Systems. Includes: Face plate for Key Valve and MSI, Paver Kit Bracket and Extender, Screws, Battery Operated Piezo Igniter Assembly, 48" Ignition Wire, AAA Battery, Ignition Hood and Screen Fittings.
Key Valve Kit with Face Plate purchased separately as part of FPB Series Kit.

Thermocouple Manual Safety **TMS**



PAVER-KIT-TMS

For use when building fire pit enclosures with pavers with FPB Series Thermocouple Manual Safety "TMS" Burner Systems. Includes: Paver Kit Bracket and Extender, Screws and Fittings.
Valve Kit and Face Plate purchased separately as part of FPB Series Kit.

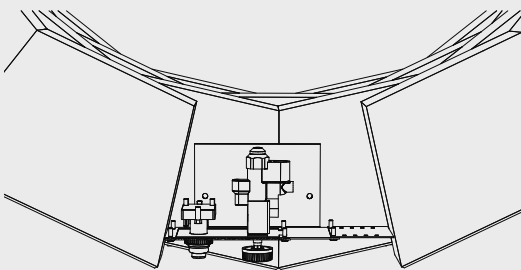
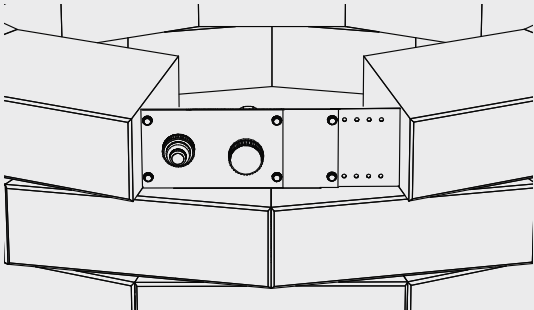


PAVER-KIT-TMS-MSI

For use when building fire pit enclosures with pavers with FPB Series Thermocouple Manual Safety "TMS" Burner System. Includes: Paver Kit Bracket and Extender, Screws, Battery Operated Piezo Igniter Assembly, 48" Ignition Wire, AAA Battery, Ignition Hood, Sreen and Fittings.
Valve Kit with Face Plate purchased separately as part of FPB Series Kit.

Step 4 : Assemble Your Components Inside the Fire Pit

Drawings below illustrate placement of the paver kit.



There are two different options for installing your Fire Pit Burner System into your pavers.



Pictured is a 30" Diameter with a FPB-G29RBSMT-N (29" Round Pan with Lip) and Paver-Kit-MT



Pictured is a 36" Inside Diameter opening with a FPB-34DBSMT-N [34" OD Flat Disc] floated and PAVER-KIT-MT

Step 5 : Select Your Jewelry



Glass
GL-LT BLUE
[on page 44]



Lava Rock
FG-LAVA-10
[on page 43]



Spit Fire Log Set
L-SF
[on page 47]

Cross ventilation is required. We strongly suggest when building your fire feature you plan for access to the gas connection and valve systems.

Knock Down Ready to Finish Enclosures

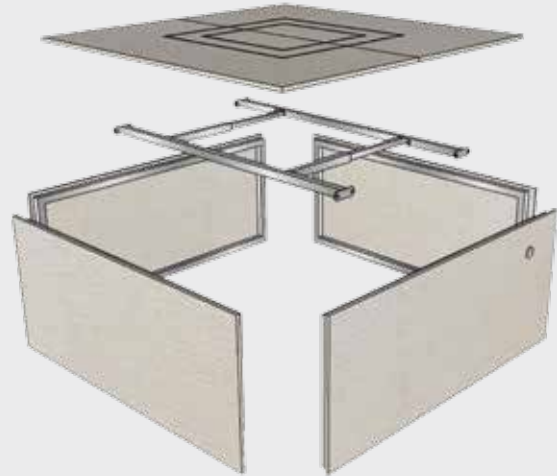
Knock Down (KD) Ready to Finish (RTF) Fire Pit Enclosures

RTF fire pits are fast, easy and efficient. The unique KD engineering of our Linear and Square fire pits, along with the temple of burner cutouts make your installation job easy from start to finish. (Burner not included)

Linear



Square



Features

- Constructed with 1" x 1" 16 gauge Galvanized Structural Steel Tubing featuring a tensile strength up to 80,000 psi.
- Magnesium Oxide (MgO) board is pre-attached to the frame. MgO board features a superior fire protection, mold/mildew and water resistance when compared to cement based backer boards.
- Adjustable Burner Frame
- Top Panel with Burner Cutout Templates
- Transport to any backyard or roof deck.
- Magnesium Oxide (MgO) board is significantly lighter than cement backer boards making it easier to transport to any backyard or roof deck.
- Integrated Leveling Feet, allows up to 3 1/2" of adjustment
- Stainless Steel Air Vents (2 included)

Magnesium Oxide (MgO) board is virtually impervious to fire, water, insects; and does not feed mold or mildew; is not toxic, is non-flammable and non-combustible; is durable, maintains it's dimensional stability (even when wet) and has exceptional bonding characteristics.

KD - Linear Shaped RTF Fire Pit Enclosures (Burner Not Included)

Model #	Description	Veneer	Suggested Top Size*	Burner Template
RTF-L42	42" Long x 24" Wide x 18" Tall - Linear Fire Pit	17 sq ft.	10 sq ft.	LOF-30 / KWB-30
RTF-L48	48" Long x 24" Wide x 18" Tall - Linear Fire Pit	19 sq ft.	12 sq ft.	LOF-36 / KWB-30
RTF-L60	60" Long x 24" Wide x 18" Tall - Linear Fire Pit	23 sq ft.	14 sq ft.	LOF-36 / KWB-30
RTF-L72	72" Long x 24" Wide x 18" Tall - Linear Fire Pit	27 sq ft.	17 sq ft.	LOF-36 / KWB-30 X 2

* Calculations assume 2" Veneer thickness with 1" overhang

Finishing material quantities are estimates and should be verified prior to installation

KD - Square Shaped RTF Fire Pit Enclosures (Burner Not Included)

Model #	Description	Veneer	Suggested Top Size*	Burner Template
RTF-S36	36" Square x 18" Tall - Fire Pit	18 sq ft.	13 sq ft.	FPB-20S
RTF-S42	42" Square x 18" Tall - Fire Pit	21 sq ft.	16 sq ft.	FPB-20S
RTF-S48	48" Square x 18" Tall - Fire Pit	24 sq ft.	21 sq ft.	FPB-20S / FPB-26S
RTF-S60	60" Square x 18" Tall - Fire Pit	30 sq ft.	31 sq ft.	FPB-26S / FPB-32S

* Calculations assume 2" Veneer thickness with 1" overhang

Finishing material quantities are estimates and should be verified prior to installation

Fully Assembled Ready to Finish Enclosures

Fully Assembled Ready to Finish (RTF) Fire Pit Enclosures

RTF fire pits are fast, easy and efficient. Our round RTF fire pits ship completely assembled with template burner cutouts to make your installation job easy from start to finish.



Fully Assembled - Round Shaped RTF Fire Pit Enclosures (Burner Not Included)

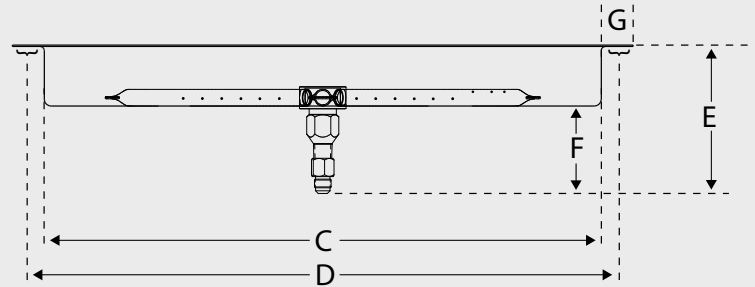
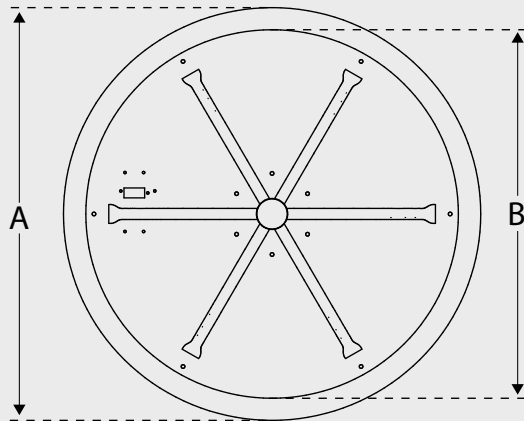
Model #	Description	Veneer	Suggested Top Size*	Burner Template
RTF-R42	42" Diameter x 18" Tall - Round Fire Pit	17 sq ft.	13 sq ft.	FPB-G16R / FPB-19R
RTF-R48	48" Diameter x 18" Tall - Round Fire Pit	19 sq ft.	16 sq ft.	FPB-19R / FPB-25R
RTF-R60	60" Diameter x 18" Tall - Round Fire Pit	24 sq ft.	20 sq ft.	FPB-25R / FPB-29R
RTF-R72	72" Diameter x 18" Tall - Round Fire Pit	29 sq ft.	29 sq ft.	FPB-29R / FPB-33R

* Calculations assume 2" Veneer thickness with 1" overhang

Finishing material quantities are estimates and should be verified prior to installation

Fire Pit Burner Specifications

Round Specifications with Burning Spur



Model Natural Gas (NG)	Model Propane Gas (LP)	A Outside Dimensions Including Lip	B Inside Pan Dimensions (Top)	C Pan Dimension (Bottom)	D Min/Max Cut Out Dimension	E Depth Pan Lip to Gas Fitting	F Depth Bottom of Pan to Gas Fitting	G Lip Dimensions
G90								
FPBG16RBSMTN	FPBG16RBSMTP	18.48"	16"	16.056"	16.5"/17.825"	6.270"	3.944"	1.212"
FPBG25RBSTFSN	FPBG25RBSTFSP	26.44"	24"	24.055"	25.25"/27.5"	6.271"	3.945"	1.191"
FPBG25RBSTMSN	FPBG25RBSTMSP	26.44"	24"	24.055"	25.25"/27.5"	6.271"	3.945"	1.191"
FPBG25RBSMTN	FPBG25RBSMTP	26.44"	24"	24.055"	25.25"/27.5"	6.271"	3.945"	1.191"
FPBG29RBSTFSN	FPBG29RBSTFSP	31.5"	29.5"	29.625"	30"/31.35"	6.410"	3.910"	1.188"
FPBG29RBSTMSN	FPBG29RBSTMSP	31.5"	29.5"	29.625"	30"/31.35"	6.410"	3.910"	1.188"
FPBG29RBSMTN	FPBG29RBSMTP	31.5"	29.5"	29.625"	30"/31.35"	6.410"	3.910"	1.188"
FPBG33RBSTFSN	FPBG33RBSTFSP	35.5"	33.5"	33.625"	34"/35.25"	6.410"	3.910"	1.188"
FPBG33RBSTMSN	FPBG33RBSTMSP	35.5"	33.5"	33.625"	34"/35.25"	6.410"	3.910"	1.188"
FPBG33RBSMTN	FPBG33RBSMTP	35.5"	33.5"	33.625"	34"/35.25"	6.410"	3.910"	1.188"

Stainless Steel

FPB19RBSTFSN	FPB19RBSTFSP	22"	19"	19.125"	19.25"/21.5"	6.597"	3.910"	1.438"
FPB19RBSTMSN	FPB19RBSTMSP	22"	19"	19.125"	19.25"/21.5"	6.597"	3.910"	1.438"
FPB19RBSMTN	FPB19RBSMTP	22"	19"	19.125"	19.25"/21.5"	6.597"	3.910"	1.438"
FPB25RBSTFSN	FPB25RBSTFSP	28"	25"	25.125"	25.25"/27.5"	6.597"	3.910"	1.438"
FPB25RBSTMSN	FPB25RBSTMSP	28"	25"	25.125"	25.25"/27.5"	6.597"	3.910"	1.438"
FPB25RBSMTN	FPB25RBSMTP	28"	25"	25.125"	25.25"/27.5"	6.597"	3.910"	1.438"

ALL TFS MODELS REQUIRE A MINIMUM OF 20.625" FROM THE LIP OF THE PAN/DISC TO THE GROUND

Round BTU Specifications

Model Natural Gas	NG Factory Orifice	Model Liquid Propane	LP Factory Orifice	BTU's High	BTU's Low
FPBG16RBSMTN	#35	FPBG16RBSMTP	#47	45,000	N/A
FPBG25RBSTFSN	#7	FPBG25RBSTFSP	#31	105,000	51,000
FPBG25RBSTMSN	#29	FPBG25RBSTMSP	#41	65,000	N/A
FPBG25RBSMTN	#29	FPBG25RBSMTP	#41	65,000	N/A
FPBG29RBSTFSN	#7	FPBG29RBSTFSP	#31	105,000	51,000
FPBG29RBSTMSN	#29	FPBG29RBSTMSP	#41	65,000	N/A

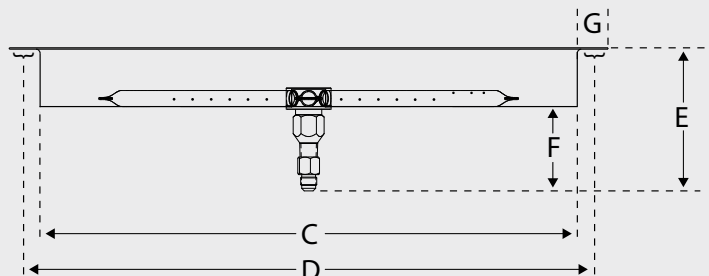
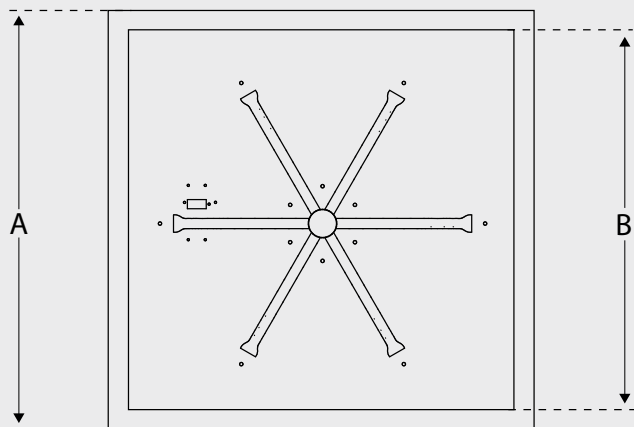
Model Natural Gas	NG Factory Orifice	Model Liquid Propane	LP Factory Orifice	BTU's High	BTU's Low
FPBG29RBSMTN	#29	FPBG29RBSMTP	#41	65,000	N/A
FPBG33RBSTFSN	#7	FPBG33RBSTFSP	#31	105,000	51,000
FPBG33RBSTMSN	#29	FPBG33RBSTMSP	#41	65,000	N/A
FPBG33RBSMTN	#29	FPBG33RBSMTP	#41	65,000	N/A
FPB19RBSTFSN	#19	FPB19RBSTFSP	#36	80,000	45,000
FPB19RBSTMSN	#29	FPB19RBSTMSP	#41	65,000	N/A
FPB19RBSMTN	#29	FPB19RBSMTP	#41	65,000	N/A
FPB25RBSTFSN	#7	FPB25RBSTFSP	#31	105,000	51,000
FPB25RBSTMSN	#29	FPB25RBSTMSP	#41	65,000	N/A
FPB25RBSMTN	#29	FPB25RBSMTP	#41	65,000	N/A

Disclaimer: BTU listings are based on 7.0" WC for Natural Gas and 11.0" WC for Liquid Propane (LP) at the burner orifice. Flex line size and proper gas pipe sizing will also affect BTU. As a result your BTU may vary slightly from all BTU specifications.

Pressure	NG	LP
Minimum Inlet	3.5" WC	8.0" WC
Maximum Inlet	10.5" WC	13.0" WC
Normal Inlet	7.0" WC	11.0" WC

Cross ventilation is required. We strongly suggest when building your fire feature you plan for access to the gas connection and valve systems.

Square Specifications with Burning Spur



Model Natural Gas (NG)	Model Propane Gas (LP)	A Outside Dimensions Including Lip	B Inside Pan Dimensions (Top)	C Pan Dimension (Bottom)	D Min/Max Cut Out Dimension	E Depth Pan Lip to Gas Fitting	F Depth Bottom of Pan to Gas Fitting	G Lip Dimensions
FPB20SBSTFSN	FPB20SBSTFSP	22"	20"	20.124"	20.25"/21.75"	6.598"	3.910"	.920"
FPB20SBSTMSN	FPB20SBSTMSP	22"	20"	20.124"	20.25"/21.75"	6.598"	3.910"	.920"
FPB20SBSMTN	FPB20SBSMTP	22"	20"	20.124"	20.25"/21.75"	6.598"	3.910"	.920"
FPB26SBSTFSN	FPB26SBSTFSP	28"	26"	26"	26.25"/27.75"	6.598"	3.910"	.938"
FPB26SBSTMSN	FPB26SBSTMSP	28"	26"	26"	26.25"/27.75"	6.598"	3.910"	.938"
FPB26SBSMTN	FPB26SBSMTP	28"	26"	26"	26.25"/27.75"	6.598"	3.910"	.938"
FPB32SBSTFSN	FPB32SBSTFSP	34"	32"	32.124"	32.25"/33.75"	6.598"	3.910"	.938"
FPB32SBSTMSN	FPB32SBSTMSP	34"	32"	32.124"	32.25"/33.75"	6.598"	3.910"	.938"
FPB32SBSMTN	FPB32SBSMTP	34"	32"	32.124"	32.25"/33.75"	6.598"	3.910"	.938"
FPB38SBSTMSN	FPB38SBSTMSP	40"	38"	38.124"	38.25"/39.75"	6.598"	3.910"	.938"
FPB38SBSMTN	FPB38SBSMTP	40"	38"	38.124"	38.25"/39.75"	6.598"	3.910"	.938"

ALL TFS MODELS REQUIRE A MINIMUM OF 20.625" FROM THE LIP OF THE PAN/DISC TO THE GROUND

Square BTU Specifications

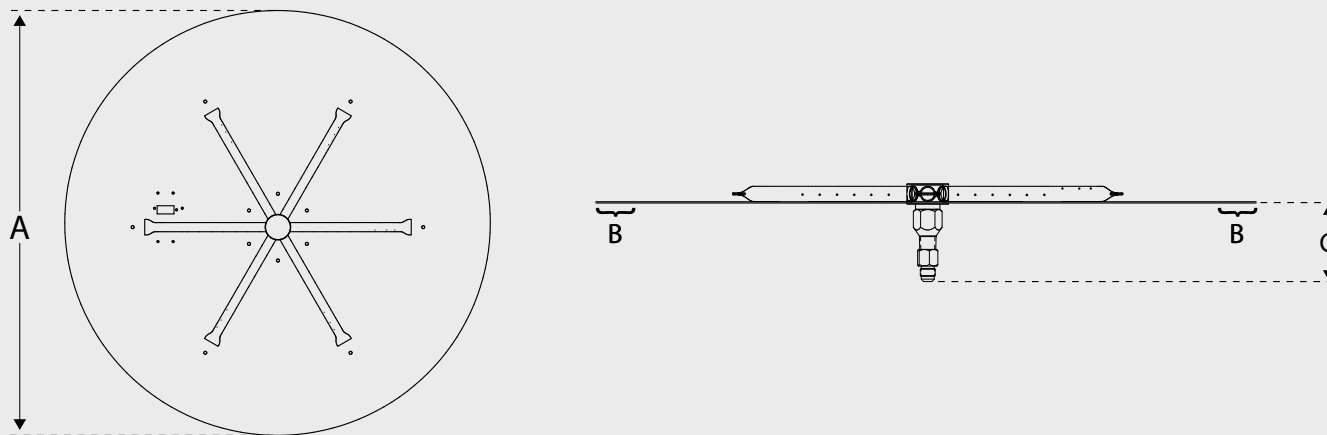
Model Natural Gas	NG Factory Orifice	Model Liquid Propane	LP Factory Orifice	BTU's High	BTU's Low
FPB20SBSTFSN	#19	FPB20SBSTFSP	#36	80,000	48,000
FPB20SBSTMSN	#29	FPB20SBSTMSP	#41	65,000	N/A
FPB20SBSMTN	#29	FPB20SBSMTP	#41	65,000	N/A
FPB26SBSTFSN	#7	FPB26SBSTFSP	#31	105,000	51,000
FPB26SBSTMSN	#29	FPB26SBSTMSP	#41	65,000	N/A
FPB26SBSMTN	#29	FPB26SBSMTP	#41	65,000	N/A
FPB32SBSTFSN	#7	FPB32SBSTFSP	#31	105,000	51,000
FPB32SBSTMSN	#29	FPB32SBSTMSP	#41	65,000	N/A
FPB32SBSMTN	#29	FPB32SBSMTP	#41	65,000	N/A
FPB38SBSTMSN	#29	FPB38SBSTMSP	#41	65,000	N/A
FPB38SBSMTN	#29	FPB38SBSMTP	#41	65,000	N/A
FPB38SBSTFSN	#7	FPB38SBSTFSP	#31	105,000	51,000

Disclaimer: BTU listings are based on 7.0" WC for Natural Gas and 11.0" WC for Liquid Propane (LP) at the burner orifice. Flex line size and proper gas pipe sizing will also affect BTU. As a result your BTU may vary slightly from all BTU specifications.

Pressure	NG	LP
Minimum Inlet	3.5" WC	8.0" WC
Maximum Inlet	10.5" WC	13.0" WC
Normal Inlet	7.0" WC	11.0" WC

Cross ventilation is required. We strongly suggest when building your fire feature you plan for access to the gas connection and valve systems.

Disc Specifications with Burning Spur



Model Natural Gas (NG)	Model Propane Gas (LP)	A Disc Dimensions	B Min/Max Cut Out Dimension	C Disc to Gas Fitting
FPB-34DBSTFSN	FPB-34DBSTFSP	34"	24" - 31"	3.910"
FPB-34DBSTMSN	FPB-34DBSTMSP	34"	24" - 31"	3.910"
FPB-34DBSMTN	FPB-34DBSMTP	34"	24" - 31"	3.910"
FPB-44DBSTMSN	FPB-44DBSTMSP	44"	24" - 40"	3.910"
FPB-44DBSMTN	FPB-44DBSMTP	44"	24" - 40"	3.910"

ALL TFS MODELS REQUIRE A MINIMUM OF 20.625" FROM THE LIP OF THE PAN/DISC TO THE GROUND

Disc BTU Specifications

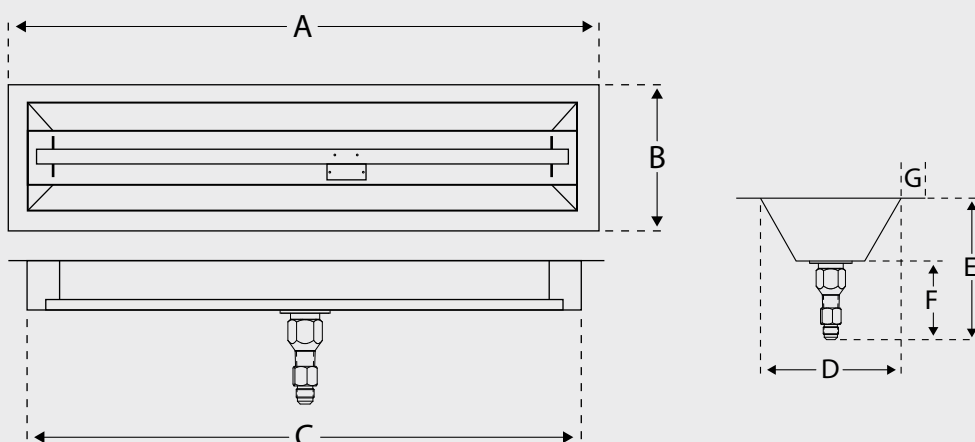
Model Natural Gas	NG Factory Orifice	Model Liquid Propane	LP Factory Orifice	BTU's High	BTU's Low
FPB-34DBSTFS-N	#7	FPB-34DBSTFS-P	#31	105,000	51,000
FPB-34DBSTMS-N	#29	FPB-34DBSTMS-P	#41	65,000	N/A
FPB-34DBSMT-N	#29	FPB-34DBSMT-P	#41	65,000	N/A
FPB-44DBSTMS-N	#29	FPB-44DBSTMS-P	#41	65,000	N/A
FPB-44DBSMT-N	#29	FPB-44DBSMT-P	#41	65,000	N/A
FPB-44DTFS-N	#7	FPB-44DTFS-P	#31	105,000	51,000

Disclaimer: BTU listings are based on 7.0" WC for Natural Gas and 11.0" WC for Liquid Propane (LP) at the burner orifice. Flex line size and proper gas pipe sizing will also affect BTU. As a result your BTU may vary slightly from all BTU specifications.

Pressure	NG	LP
Minimum Inlet	3.5" WC	8.0" WC
Maximum Inlet	10.5" WC	13.0" WC
Normal Inlet	7.0" WC	11.0" WC

Cross ventilation is required. We strongly suggest when building your fire feature you plan for access to the gas connection and valve systems.

Linear Specifications with Burning Spur



Model	A Length Including Lip	B Width Including Lip	C Length Without Lip	D Width Without Lip	E Depth Pan Lip to Gas Fitting	F Depth Bottom of Pan to Gas Fitting	G Lip Dimensions
LOF-30MT-N	32.2"	8"	30.062"	5.946"	6.471"	3.789"	1.03"
LOF-36MT-N	38.2"	8"	36.062"	5.946"	6.471"	3.773"	1.03"
LOF-30MSI-N	32.2"	8"	30.062"	5.946"	6.471"	3.789"	1.03"
LOF-36MSI-N	38.2"	8"	36.062"	5.946"	6.471"	3.773"	1.03"

Linear BTU Specifications

Model	Model	NG Factory Orifice	LP Factory Orifice	BTU's High	BTU's Low
LOF-30MT-N	LOF-30MSIN	#36	#49	45,000	N/A
LOF-36MT-N	LOF-36MSIN	#29	#41	75,000	N/A

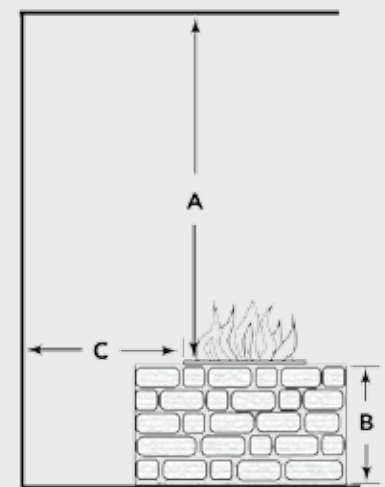
Disclaimer: BTU listings are based on 7.0" WC for Natural Gas and 11.0" WC for Liquid Propane (LP) at the burner orifice. Flex line size and proper gas pipe sizing will also affect BTU. As a result your BTU may vary slightly from all BTU specifications.

Pressure	NG	LP
Minimum Inlet	3.5" WC	8.0" WC
Maximum Inlet	10.5" WC	13.0" WC
Normal Inlet	7.0" WC	11.0" WC

Cross ventilation is required. We strongly suggest when building your fire feature you plan for access to the gas connection and valve systems.

Clearance to Combustibles

Model Match Throw (NG)	Model Match Throw (LP)	A Combustible Ceiling	B Combustible Floor	C Side Wall
<i>Round</i>				
FPBG16RBSMTN	FPBG16RBSMTP	57"	15"	14"
FPBG25RBSTFSN	FPBG25RBSTFSP	69"	18"	19"
FPBG25RBSTMSN	FPBG25RBSTMSP	69"	18"	19"
FPBG25RBSMTN	FPBG25RBSMTP	69"	18"	16"
FPBG29RBSTFSN	FPBG29RBSTFSP	69"	18"	19"
FPBG29RBSTMSN	FPBG29RBSTMSP	69"	18"	19"
FPBG29RBSMTN	FPBG29RBSMTP	69"	18"	16"
FPBG33RBSTFSN	FPBG33RBSTFSP	69"	18"	19"
FPBG33RBSTMSN	FPBG33RBSTMSP	69"	18"	19"
FPBG33RBSMTN	FPBG33RBSMTP	69"	18"	16"
FPB19RBSTFSN	FPB19RBSTFSP	54"	18"	16"
FPB19RBSTMSN	FPB19RBSTMSP	54"	18"	16"
FPB19RBSMTN	FPB19RBSMTP	69"	18"	16"
FPB25RBSTFSN	FPB25RBSTFSP	69"	18"	19"
FPB25RBSTMSN	FPB25RBSTMSP	69"	18"	19"
FPB25RBSMTN	FPB25RBSMTP	69"	18"	16"
<i>Square</i>				
FPB20SBSTFSN	FPB20SBSTFSP	54"	18"	16"
FPB20SBSTMSN	FPB20SBSTMSP	54"	18"	16"
FPB20SBSMTN	FPB20SBSMTP	69"	18"	16"
FPB26SBSTFSN	FPB26SBSTFSP	69"	18"	19"
FPB26SBSTMSN	FPB26SBSTMSP	69"	18"	19"
FPB26SBSMTN	FPB26SBSMTP	69"	18"	16"
FPB32SBSTFSN	FPB32SBSTFSP	69"	18"	19"
FPB32SBSTMSN	FPB32SBSTMSP	69"	18"	19"
FPB32SBSMTN	FPB32SBSMTP	69"	18"	16"
FPB38SBSTMSN	FPB38SBSTMSP	69"	18"	19"
FPB38SBSMTN	FPB38SBSMTP	69"	18"	16"
<i>Disc</i>				
FPB-34DBSTFS-N	FPB-34DBSTFS-P	69"	18"	19"
FPB-34DBSTMS-N	FPB-34DBSTMS-P	69"	18"	19"
FPB-34DBSMT-N	FPB-34DBSMT-P	69"	18"	19"
FPB-44DBSTMS-N	FPB-44DBSTMS-P	69"	18"	19"
FPB-44DBSMT-N	FPB-44DBSMT-P	69"	18"	19"
FPB-44DBSTFS-N	FPB-44DBSTFS-P	69"	18"	19"
<i>Linear</i>				
LOF-30MT-N		96"	6"	36"
LOF-36MT-N		96"	6"	36"
LOF-30MSI-N		96"	6"	36"
LOF-36MSI-N		96"	6"	36"



Cross ventilation is required. We strongly suggest when building your fire feature you plan for access to the gas connection and valve systems.

Non-Listed Product Dimensions

Natural Gas (NG)	Propane Gas (LP)	Outside Dimensions Including Lip	Inside Pan Dimensions (Top)	Pan Dimension (Bottom)	Min/Max Cut Out Dimension	Depth Pan Lip to Gas Fitting	Depth Bottom of Pan to Gas Fitting	Lip Dimensions
Round								
FPBG25RBS22MTN	FPBG25RBS22MTP	26.44"	24"	24.055"	25.25"/27.5"	6.271"	3.945"	1.191"
FPBG29RBS22MTN	FPBG29RBS22MTP	31.5"	29.5"	29.625"	30"/31.35"	6.410"	3.910"	1.188"
FPBG33RBS31MTN	FPBG33RBS31MTP	35.5"	33.5"	33.625"	34"/35.25"	6.410"	3.910"	1.188"
FPB19RBS16MTN	FPB19RBS16MTP	22"	19"	19.125"	19.25"/21.5"	6.597"	3.910"	1.438"
FPB25RBS22MTN	FPB25RBS22MTP	28"	25"	25.125"	25.25"/27.5"	6.597"	3.910"	1.438"
Square								
FPB20SBS16MTN	FPB20SBS16MTP	22"	20"	20.124"	20.25"/21.75"	6.598"	3.910"	.920"
FPB26SBS22MTN	FPB26SBS22MTP	28"	26"	26"	25.25"/27.75"	6.598"	3.910"	.920"
FPB32SBS31MTN	FPB32SBS31MTP	34"	32"	32.124"	32.25"/33.75"	6.598"	3.910"	.920"
FPB38SBS36MTN	FPB38SBS36MTP	40"	38"	38.124"	38.25"/39.75"	6.598"	3.910"	.920"
Disc								
FPB34DBS31MTN	FPB34DBS31MTP	34"	N/A	N/A	24" - 31"	N/A	3.910"	N/A
FPB44DBS36MTN	FPB44DBS36MTN	44"	N/A	N/A	24" - 40"	N/A	3.910"	N/A

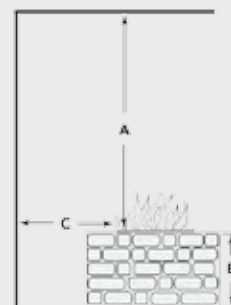
BTU Specifications for Non-Listed Product

Model Natural Gas	NG Factory Orifice	Model Liquid Propane	LP Factory Orifice	BTU's High NG	BTU's Low NG
Round					
FPBG25RBS22MTN	#22	FPBG25RBS22MTP	#35	100,000	N/A
FPBG29RBS22MTN	#22	FPBG29RBS22MTP	#35	100,000	N/A
FPBG33RBS31MTN	#8	FPBG33RBS31MTP	#29	160,000	N/A
FPB19RBS16MTN	#31	FPB19RBS16MTP	#45	60,000	N/A
FPB25RBS22MTN	#22	FPB25RBS22MTP	#35	100,000	N/A
Square					
FPB20SBS16MTN	#31	FPB20SBS16MTP	#45	60,000	N/A
FPB26SBS22MTN	#22	FPB26SBS22MTP	#35	100,000	N/A
FPB32SBS31MTN	#8	FPB32SBS31MTP	#29	160,000	N/A
FPB38SBS36MTN	#3	FPB38SBS36MTP	#25	183,000	N/A
Disc					
FPB34DBS31MTN	#8	FPB34DBS31MTP	#29	160,000	N/A
FPB44DBS36MTN	#3	FPB44DBS36MTN	#25	183,000	N/A

Clearance to Combustibles for Non-Listed Product

All Non-Listed models have the same clearances

A Combustible Ceiling	B Combustible Floor	C Side Wall
96"	8"	36"



DIY Fire Pit Kits

Create Your Own Gas Fire Pit Kits



Features

- Listed by UL, Certified to ANSI Z21.97-2012, CSA 2.41-2012
- Match Throw [MT] System includes: Burner System, Paver-Kit-MT, Key Valve with Cover, Key, 12 foot Hose with Liquid Propane Regulator, Lava Rock
- Available in 16", 25", 29" and 33" Round G90 Galvanized Steel Round Pans
- Featuring Stainless Steel Burning Spur
- Consumer Warranty: 5 Year on Stainless Steel Components, 3 Year on "G" Series Pans, 2 Year on Gas Valve, Hose and Regulator
- Commercial Applications: 1 Year all parts.

Model	Size	Description
OGFPK-G16-P	16"	16" G90 Black Pan, 12" Stainless Steel Burning Spur, Match Light Ignition, Paver-Kit-MT, 15 lb. Lava Rock. For Liquid Propane 45,000 BTU. Natural Gas Conversion Kit available (OAS-NG-35)
OGFPK-G25-P	25"	25" G90 Black Pan, 22" Stainless Steel Burning Spur, Match Light Ignition, Paver-Kit-MT, 40 lb. Lava Rock. For Liquid Propane 65,000 BTU. Natural Gas Conversion Kit available (OAS-NG-29)
OGFPK-G29-P	29"	29" G90 Black Pan, 22" Stainless Steel Burning Spur, Match Light Ignition, Paver-Kit-MT, 50 lb. Lava Rock. For Liquid Propane 65,000 BTU. Natural Gas Conversion Kit available (OAS-NG-29)
OGFPK-G33-P	33"	33" G90 Black Pan, 22" Stainless Steel Burning Spur, Match Light Ignition, Paver-Kit-MT, 60 lb. Lava Rock. For Liquid Propane 65,000 BTU. Natural Gas Conversion Kit available (OAS-NG-29)

Accessory	Description
OAS-NG29	Natural Gas Conversion Kit for OGFPK-G25-P, OGFPK-G29-P, OGFPK-G33-P, 65,000 BTU
OAS-NG35	Natural Gas Conversion Kit for OGFPK-G16-P, 45,000 BTU
FG-LB30	30 lb. Box of Lava Boulders - Ranging from 6" to 12" in size [pictured on page 43]
FG-LS15	15 lb. Jug of Lava Stones - Ranging from 1 1/2" to 2" in size [pictured on page 43]
L-BF	Beach Fire 8 Piece Refractory Log Set for (1 box) shipping weight approximately 20 lb. [pictured on page 47]
L-SF	Spit Fire 18 Piece Refractory Log Set for Outdoor Fire Features, Suggest a minimum of 19" diameter opening (1 box) shipping weight approximately 52 lb. [pictured on page 47]



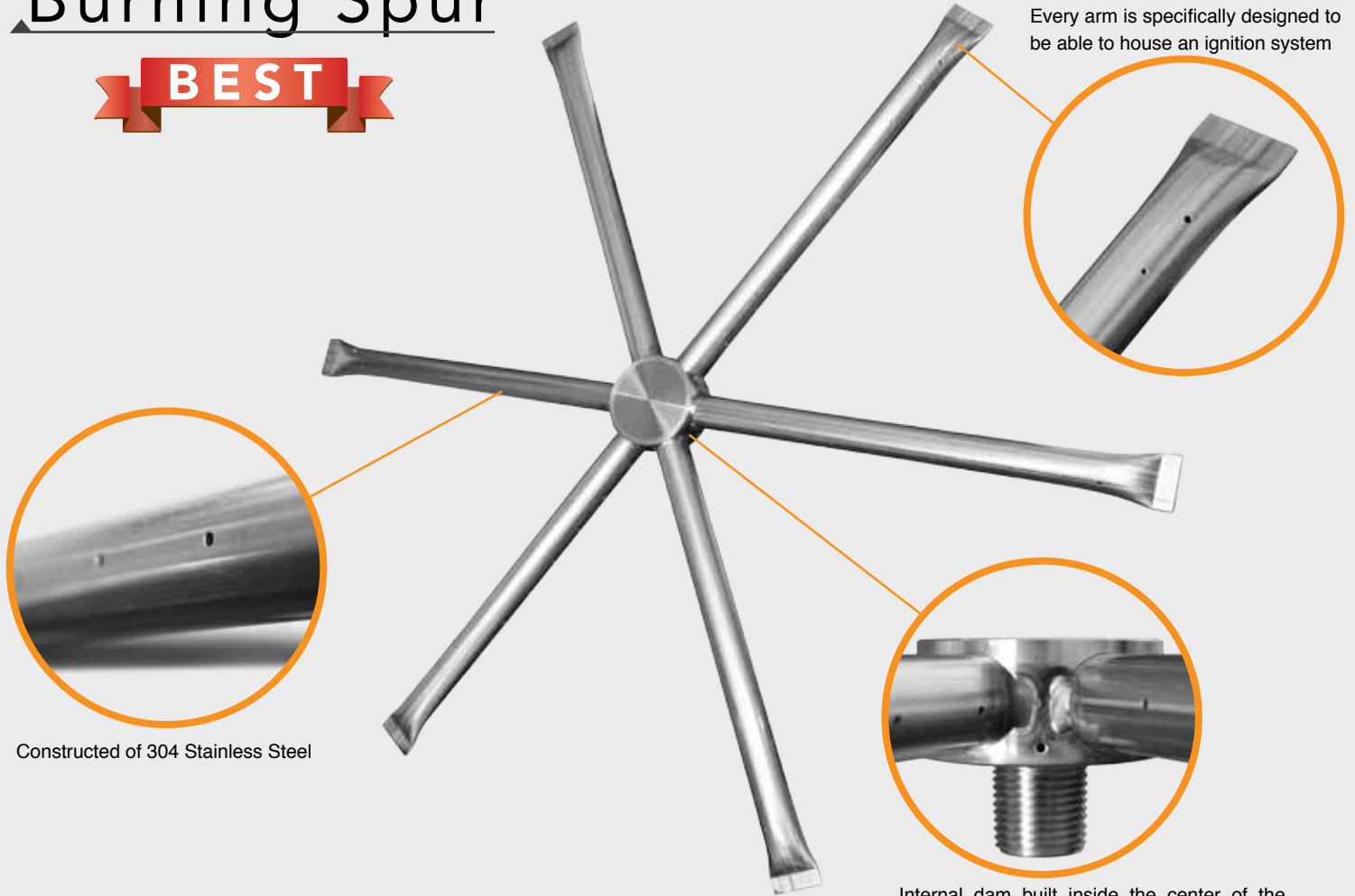
BURNERS

40 Burning Spur

41 Fire Ring

Burning Spur

BEST



Every arm is specifically designed to be able to house an ignition system

Constructed of 304 Stainless Steel

Internal dam built inside the center of the Burning Spur hub helps prohibit water flowing back into the gas line

Features

- Unique design for natural drainage
- Legs feature a pitched design - water runs off
- Cooling points between the legs help prevent heat transfer to the outer edge which can cause cracking of the fire pit finished top
- Bottom features weep holes for water release so there is no freeze and thaw damage
- Stock Sizes: 12", 16", 22", 31" and 36" (measured tip to tip)
- LP Conversion Kits available
- Consumer Warranty - 5 Year, Commercial Warranty 1 Year



NG Orifice



LP Orifice / Air Mixer



Warning: When building a fire pit for use with LP Gas, understanding the properties of Liquid Propane is important. Propane is denser than air. Liquid Propane will have a tendency to sink into any enclosed area and thus poses a risk of explosion and fire. Because of this risk we strongly recommend you build your fire pit incorporating the use of a pan or disc. Cross ventilation is required and access to the gas connections and valve systems. Refer to pages 16 – 22 and 38.



Burning Spur Kit and Burning Spur Only

Spur Kit	Spur Only	Description	LP Orifice Part #
DBS-12K	DBS-12	12" Stainless Steel Burning Spur	OAS-LP52
DBS-16K	DBS-16	16" Stainless Steel Burning Spur	OAS-LP45
DBS-22K	DBS-22	22" Stainless Steel Burning Spur	OAS-LP35
DBS-31K	DBS-31	31" Stainless Steel Burning Spur	OAS-LP29
DBS-36K	DBS-36	36" Stainless Steel Burning Spur	OAS-LP25

Burning Spur Kit includes: Burner, Orifice, 1/2" OD Flare x 1/2" MIP, 46" Stainless Steel Tranquiline Gas Flex, 1/2" OD Flare x 1/2" FIP, Key Valve, Polished Chrome Cover and 8" Polished Chrome Key

Burning Spur only includes: Burner, Orifice, 1/2" Flare x 1/2" OD FIP



Burning Spur Kits and Burning Spur Only BTU Chart

Model	BTU - NG	Orifice Size - NG	BTU - LP	Orifice Size - LP
DBS-12K / DBS-12	42,000 BTU	OAS-NG38	33,000 BTU	OAS-LP52
DBS-16K / DBS-16	60,000 BTU	OAS-NG31	55,000 BTU	OAS-LP45
DBS-22K / DBS-22	100,000 BTU	OAS-NG22	99,000 BTU	OAS-LP35
DBS-31K / DBS-31	160,000 BTU	OAS-NG08	150,000 BTU	OAS-LP29
DBS-36K / DBS-36	183,000 BTU	OAS-NG03	182,000 BTU	OAS-LP25



Fire Rings

Model	Description
FG-FR-19S-R	19" Round Stainless Steel Fire Ring - 3/8" Stainless Steel Double Ring Pipe, Punched Ports, 1/2" Female Pipe Connection
FG-FR-24S-R	24" Round Stainless Steel Fire Ring - 3/8" Stainless Steel Double Ring Pipe, Punched Ports, 1/2" Female Pipe Connection
FG-FR-30S-R	30" Round Stainless Steel Fire Ring - 3/8" Stainless Steel Double Ring Pipe, Punched Ports, 1/2" Female Pipe Connection
FG-FR-36S-R	36" Round Stainless Steel Fire Ring - 3/8" Stainless Steel Double Ring Pipe, Punched Ports, 1/2" Female Pipe Connection
FG-SB-F	Universal LP Conversion Kit for all size Fire Rings

BTU output is determined by the supply line size and the distance of the supply line run. Fire Rings can be used with Natural Gas and Liquid Propane. Liquid Propane use requires FG-SB-F LP Conversion Kit. Flame height is directly related to the BTU output of the unit. For maximum flame height, allow for 300,000 BTU for the 19" and 400,000 BTU for the 24, 30 and 36" Fire Rings. Fire Rings feature a 1 Year Limited Warranty.

Disclaimer: All products maximum BTU's are dependent upon proper gas pipe sizing. Gas flex connectors can also affect BTU's. As a result your maximum BTU's may vary. BTU listings are based on 7" W.C. for Natural Gas and 10" W.C. for Propane at the burner orifice.

Cross ventilation is required. We strongly suggest when building your fire feature you plan for access to the gas connection and valve systems.

JEWELRY

43 Media

44 Glass

46 How Much Media?

47 Log Sets for Fire Pits

48 Outdoor Fireplace Log Sets

Media

Lava Rock Model#: FG-LAVA-10, FG-LAVA-50

Mined from Mother Earth, our Black Lava Rock is sold in 10 lb. and 50 lb. box and are approximately 1" - 2" in diameter.



Lava Stones Model#: FG-LS15, FG-LS50

Lava Stones, made from Lava Rock that has been tumbled to create a smooth appearance and are approved for use with fire. Lava Stones are sold in 50 lb. bags and 15 lb. jugs are approximately 1" to 2" in diameter



Lava Boulders Model#: FG-LB30

Lava Boulders create that resort fire pit look. Lava Boulders are sold in a 30 lb. box and range from approximately 6" to 12" in diameter.



Glass

Fireglass *Large broken approximately 1/2" to 3/4" in size*



Caribbean/Paradise
GL-LT BLUE



Cola
GL-COPPER



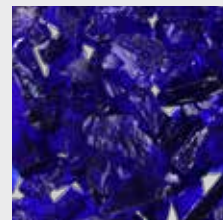
Cosmo
GL-RED



Mint
GL-GREEN



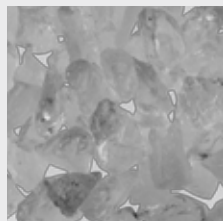
Pepper
GL-BLACK



Blueberry
GL-DARK BLUE

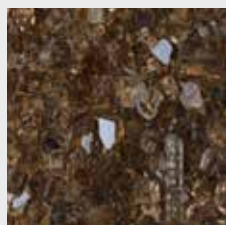


Seabreeze
GL-SEABREEZE



Crystal
GL-CRYSTAL

Reflective Glass *Mirror finish broken reflective approximately 3/8" to 1/2" in size*



Copper
GR-COPPER



Gold Finger
GR-GOLD



Cobalt
GR-COBALT



Platinum
GR-PLAT



Ebony
GR-BLACK



Bronze
GR-BRONZE

Liquid Glass *Glass beads approximately 16-18mm in size*



Cobalt
GB-COBALT



H2O
GB-CLEAR



Midnight
GB-BLACK



Sky
GB-LT BLUE



Tequila
GB-GOLD



White
GB-WHITE

Photography is for illustration purposes only. Actual colors may vary slightly due to the printing process. For actual color selections, please consult your Firegear Outdoors Dealer/Distributor.





Fireglass



Reflective Glass



Liquid Glass

How Much Media?

Round Fire Pits - Suggested Media Amount

Inside Diameter of Fire Pit	Lava Rock "only"	Quantity of Lava Rock needed to cover the burner when using glass, stones or boulders as a topping	1" Glass on top of Lava Rock Base	One layer of Lava Stones on top of Lava Rock base	One Layer of Lava Boulders with top of Lava Rock Base
16"	15 lb.	10 lb.	15 lb.	10 lb.	1 Box
19"	20 lb.	15 lb.	25 lb.	20 lb.	1 Box
25"	40 lb.	35 lb.	40 lb.	30 lb.	1 Box
29"	50 lb.	45 lb.	50 lb.	40 lb.	2 Boxes
30"	50 lb.	45 lb.	55 lb.	45 lb.	2 Boxes
33"	60 lb.	55 lb.	60 lb.	50 lb.	3 Boxes
36"	75 lb.	70 lb.	85 lb.	55 lb.	4 Boxes
42"	100 lb.	95 lb.	115 lb.	60 lb.	4 Boxes
48"	130 lb.	125 lb.	150 lb.	70 lb.	3 Boxes
54"	165 lb.	160 lb.	190 lb.	80 lb.	5 Boxes
60"	205 lb.	200 lb.	235 lb.	90 lb.	6 Boxes
66"	250 lb.	245 lb.	285 lb.	100 lb.	6 Boxes
72"	295 lb.	290 lb.	335 lb.	110 lb.	8 Boxes

Media listed above is the recommended quantity dependent upon fire pit size

Square Fire Pits - Suggested Media Amount

Inside Diameter of Fire Pit	Lava Rock "only"	Quantity of Lava Rock needed to cover the burner when using glass, stones or boulders as a topping	1" Glass on top of Lava Rock Base	One layer of Lava Stones on top of Lava Rock base	One Layer of Lava Boulders with top of Lava Rock Base
14"	15 lb.	10 lb.	15 lb.	10 lb.	1 Box
20"	20 lb.	15 lb.	25 lb.	20 lb.	1 Box
26"	40 lb.	35 lb.	40 lb.	30 lb.	1 Box
32"	60 lb.	55 lb.	60 lb.	50 lb.	3 Boxes
38"	75 lb.	70 lb.	85 lb.	55 lb.	4 Boxes

Media listed above is the recommended quantity dependent upon fire pit size

Line of Fire - Suggested Media Amount

Inside Diameter of Fire Pit	Lava Rock "only"	Quantity of Lava Rock needed to cover the burner when using glass, stones or boulders as a topping	1" Glass on top of Lava Rock Base	One layer of Lava Stones on top of Lava Rock base	One Layer of Lava Boulders with top of Lava Rock Base
30" x 6"	20 lb.	15 lb.	10 lb.	10 lb.	1 Box
36" x 6"	25 lb.	20 lb.	15 lb.	20 lb.	1 Box

Fireglass is meant to be used as a decorative topping, much like icing on a cupcake. We suggest using a filler of Lava Rock below the burner as well as cover the top of the burner with your choice of Fireglass, Lava Stones, or Lava Boulders.

Log Sets for Fire Pits

Spit Fire Model#: L-SF

The Spit Fire is our most popular outdoor fire feature log set. The eighteen (18) piece refractory log set is a great alternative to enjoy your fire feature without the mess of real wood and ashes. Simply place the log set over your burner and enjoy.

- Compatible with fire pits larger than 19"
- Refractory Concrete Material
- 18 piece set
- Ships in 1 box, weights approximately 52 lb.
- 5 year limited warranty



Beach Fire Model#: L-BF

The Beach Fire is the baby sister of the Spit Fire, designed for smaller fire pit burners or used as an accent piece on larger burners. This eight (8) piece refractory log set is a great alternative to enjoy your fire feature without the mess of real wood and ashes.

Simply place the log set over your burner and enjoy.

- Compatible with fire pits smaller than 20"
- Refractory Concrete Material
- 8 piece set
- Ships in 1 box, weights approximately 20 lb.
- 5 year limited warranty



Sedona Model#: L-SEDONA

The Sedona is the Grand Daddy of all the Firegear Outdoors log sets. Massive is an understatement. This nineteen (19) piece majestic fire pit log set can stack as high as 32" tall. Word for the wise, you need a big fire pit to hold this beauty. We suggest a minimum of 25" diameter/pan.

- Compatible with fire pits larger than 25"
- Refractory Concrete Material
- 19 piece set
- Ships in 3 boxes, weights approximately 200 lb. and must be shipped LTL
- 5 year limited warranty



Driftwood Twig Set Model#: 326-930

The beauty of beach washed and twisted Driftwood twigs inspired this design, which looks amazing with any fire. The coloration is truly a work of art.

- Compatible with any size fire as an accent peice
- Ceramic fiber composition with special bonding agents helps protect it from the elements (suggest covering when not in use)
- 6 piece set
- Ships 1 box, weighs approximately 22 lb.
- 1 year limited warranty



Gas Logs for Outdoor Vented Fireplaces

Scarlet Oak

Gas Log Set



Scarlet Oak is named for its brilliant fall leaf color. It is a large tree, reaching 70-100 feet tall. Scarlet oak is native to dry ridges or dry sandy sites through most of the eastern United States.

Features

- 12 piece Decorative Refractory Vented Log Set for Outdoor Vented Fireplace
- Molded from wood and artistically detailed
- Meticulously hand painted six step paint process
- Perfect size for your fireplace, adjusts for the BX18SSMT-N burner up to the largest BX30SSMT-N Burner.
- Simply change the height and width to get the look you desire
- 5 year limited warranty

Model	Description
L-SO	Scarlet Oak - One Size fits the BXSS18MT/N, BXSS24MT-N and BXSS30MT-N Burner Systems. Approximate Shipping weight 46 lb.

BXSS Burner

BXSS Series Burner System for Outdoor Vented Gas Logs



Features

- All Stainless Steel Construction
- Heavy 16 gauge pan with 1/2" stainless steel square bar stock grate attached
- Unique triple burner "1" pattern burner tube for a realistic flame
- Gas inlet mounted in the back and center for convenient installation

Model	Description
BXSS18MT-N	Fiamma 18" Stainless Steel Hearth Kit - Match Light - Natural Gas, 75,000 BTU/H
BXSS24MT-N	Fiamma 24" Stainless Steel Hearth Kit - Match Light - Natural Gas, 90, 000 BTU/H
BXSS30MT-N	Fiamma 30" Stainless Steel Hearth Kit - Match Light - Natural Gas, 100,000 BTU/H

Hearth Kit includes Decorative Lava Rock, Tranquiline Gas Flex and Gas Connection Fitting

For LP use you must purchase FG-AF-LMF-OD-P and the 6857-14 orifice for the appropriate size BX SS burner

Accessories for BXSS Burner System

6857-14-#41	LP Orifice for BXSS18MT-N to convert to LP
6857-14-#37	LP Orifice for BXSS24MT-N to convert to LP
6857-14-#36	LP Orifice for BXSS30MT-N to convert to LP
FG-AF-LMF-OD-N	Safety Pilot Kit inside weather resistant Stainless Steel Case - Natural Gas
FG-AF-LMF-OD-P	Safety Pilot Kit inside weather resistant Stainless Steel Case - Liquid Propane
RCAF-LMF	All battery operated On/Off remote control for AF-LMF valve kits. Complete with On/Off solenoid, batteries, wire kit and receiver shield.
RS-2	Remote Receiver Shield, Log style receiver cover for use with RCAF-LMF receiver



RCAF-LMF



FG-AF-LMF-OD-N FG-AF-LMF-OD-P



RS-2

BXSS Burner System Specifications

High Altitude Derate

In the USA, input BTU shall be de-rated 4% (1 orifice size) per 1000 ft. for altitudes above 2000 ft. In Canada input BTU shall be de-rated 10% (2 orifice sizes) at altitudes from 2000 ft. to 4500 ft.

18" BXSS Burner System - Natural Gas (NG)

Rated Pressure	7.0" WC
Max. Supply Pressure	10.5" WC
Min. Supply Pressure	7.0" WC
Orifice Size	#29
BTU / HR Inlet	74,450

18" BXSS Burner System - Liquid Propane (LP)

Rated Pressure	11.0" WC
Max. Supply Pressure	13.0" WC
Min. Supply Pressure	11.0" WC
Orifice Size	#41
BTU / HR Inlet	74,924

24" BXSS Burner System - Natural Gas (NG)

Rated Pressure	7.0" WC
Max. Supply Pressure	10.5" WC
Min. Supply Pressure	7.0" WC
Orifice Size	#25
BTU / HR Inlet	90,360

24" BXSS Burner System - Liquid Propane (LP)

Rated Pressure	11.0" WC
Max. Supply Pressure	13.0" WC
Min. Supply Pressure	11.0" WC
Orifice Size	#37
BTU / HR Inlet	87,860

30" BXSS Burner System - Natural Gas (NG)

Rated Pressure	7.0" WC
Max. Supply Pressure	10.5" WC
Min. Supply Pressure	7.0" WC
Orifice Size	#22
BTU / HR Inlet	99,600

30" BXSS Burner System - Liquid Propane (LP)

Rated Pressure	11.0" WC
Max. Supply Pressure	13.0" WC
Min. Supply Pressure	11.0" WC
Orifice Size	#36
BTU / HR Inlet	92,307

Minimum Fireplace Dimensions - Masonry Built Fireplaces

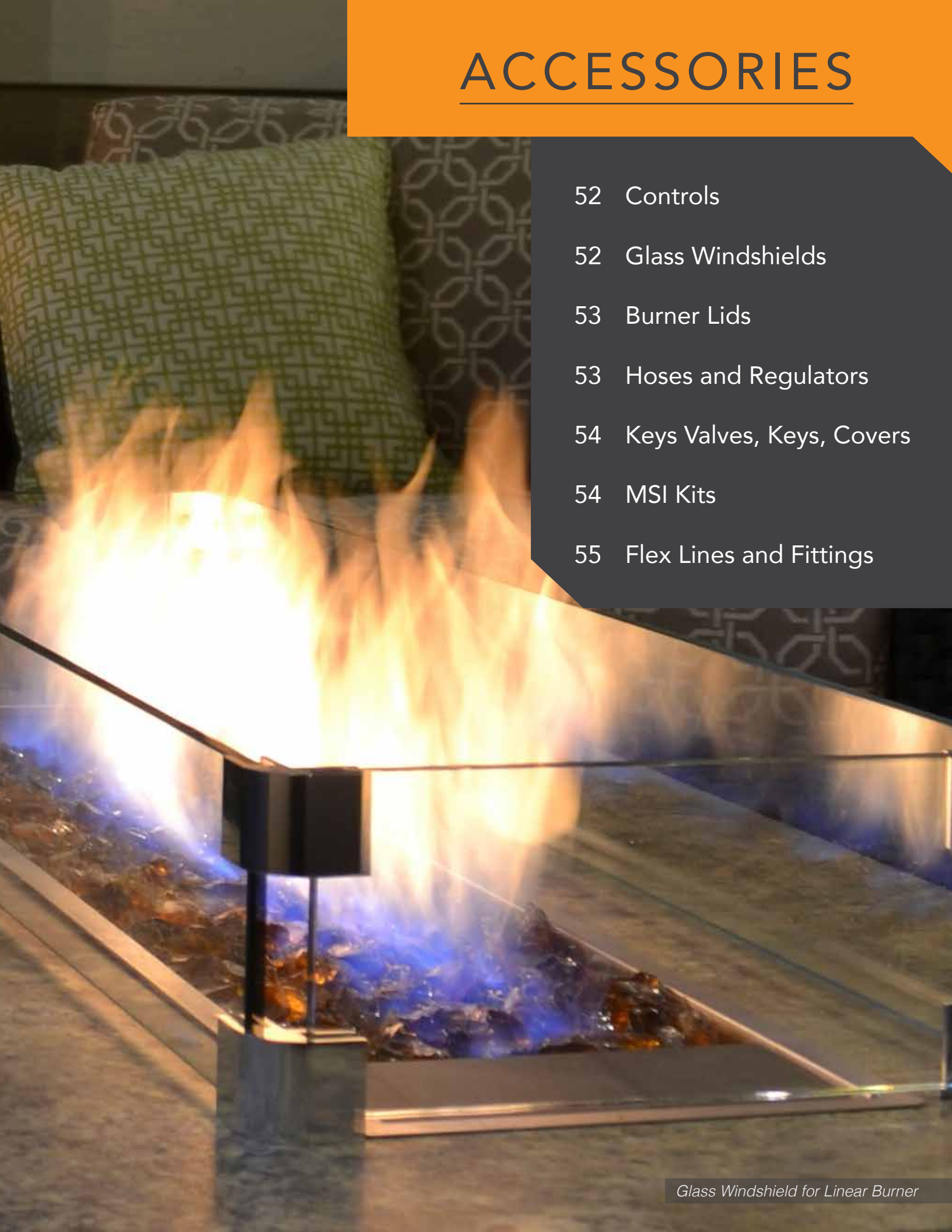
Log Set Size	Front Width in Inches	Depth in Inches	Height in Inches	Minimum Chimney Height
18"	27"	15"	17"	71.4"
24"	32"	15"	18"	71.4"
30"	42"	15"	18"	71.4"

Minimum Fireplace Dimensions - Factory Built Fireplaces

Log Set Size	Front Width in Inches	Depth in Inches	Height in Inches	Minimum Chimney Height
18"	27"	15"	17"	45.4"
24"	32"	15"	18"	45.4"
30"	42"	15"	18"	45.4"

ACCESSORIES

- 52 Controls
- 52 Glass Windshields
- 53 Burner Lids
- 53 Hoses and Regulators
- 54 Keys Valves, Keys, Covers
- 54 MSI Kits
- 55 Flex Lines and Fittings



Glass Windshield for Linear Burner

Controls



RCAF-LMF



TMR-AF1-TX



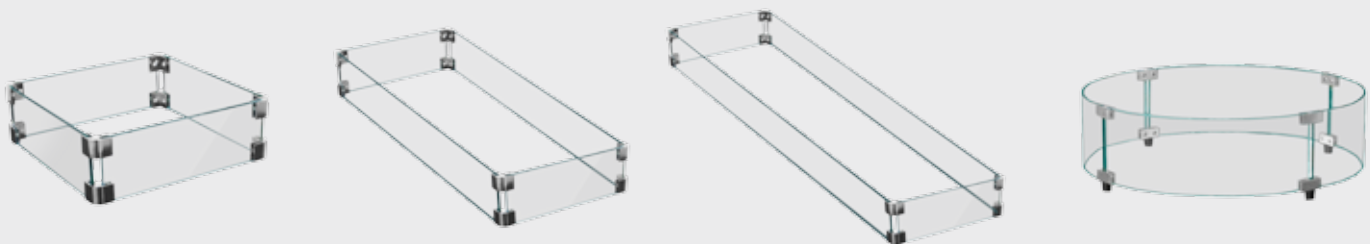
1001D/TX



1332-WT

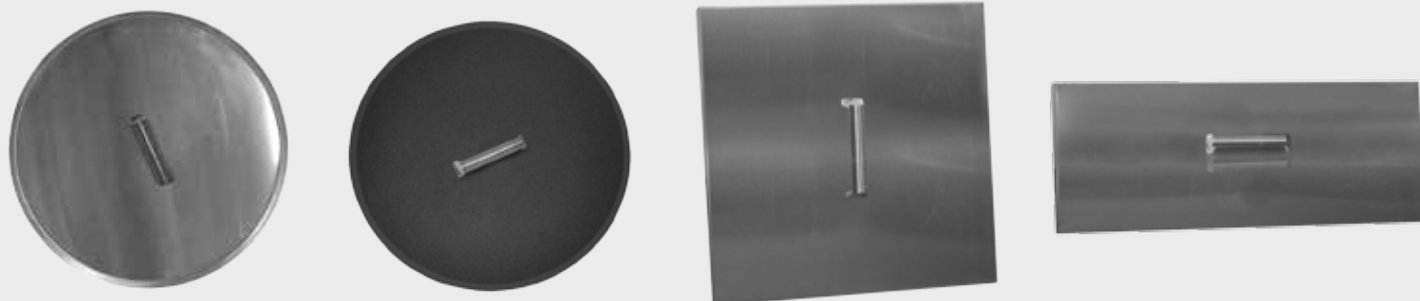
Model	Description
RCAF-LMF	Battery operated On/Off remote control for FG-AF-LMFOD-N or -P Valve Kits. Complete with On/Off Solenoid, batteries, wire kit and receiver shield.
TMR-AF1-TX	Wireless Wall Timer, Radio Frequency 20 to 25 feet range, flat face for easy wall mount does not require junction box, battery operated, uses two 3 volt button cell batteries (included)
1001D/TX	Wireless Wall On/Off Switch, Radio Frequency 20 to 25 feet range, flat face for easy wall mount does not require junction box, battery operated, uses two 3 volt button cell batteries (included)
1332 WT	Wireless Wall High/Low Switch, Radio Frequency 20 to 25 feet range, flat face for easy wall mount does not require junction box, battery operated, uses two 3 volt button cell batteries (included)
AF-4000ADP24[80]	A/C Adapter for TFS Systems, 7.5 DCV, with 24" wires (not pictured)

Glass Windshields



Model	Description
286-932	Tempered Glass Windshield - 14 1/2" Long x 14 1/2" Wide x 6" Tall, Black Polyester Cover included
GWS-3812	Tempered Glass Windshield - 38" Long x 12 7/8" Wide x 7 1/2" Tall
GWS-4312	Tempered Glass Windshield - 43 1/2" x 12 7/8" x 7 1/2" Tall
GWS-8512	Tempered Glass Windshield - 85" x 12 7/8" x 7 1/2" Tall
GWS-22R	Circular Glass Windshield - 22 1/4" inside diameter, 6 3/4" Tall

Burner Lids



Model	Description	Length Diameter	Width	Height with handle
LID-30L	LOF Series Linear Stainless Steel Lid for 30" with Brushed Finish	32.25"	8.2"	2.625"
LID-36L	LOF Series Linear Stainless Steel Lid for 36" with Brushed Finish	38.25"	8.2"	2.625"
LID-G16R	FPB Series Round Lid for 16" with Black Finish	18.942"	N/A	1.955"
LID-19R	FPB Series Round Stainless Steel Lid for 19" with Brushed Finish	22.317"	N/A	1.955"
LID-G25R	FPB Series Round Lid for 25" with Black Finish	26.817"	N/A	1.955"
LID-G29R	FPB Series Round Lid for 29" with Black Finish	32.5"	N/A	2.625"
LID-G33R	FPB Series Round Lid for 33" with Black Finish	36.5"	N/A	2.625"
LID-25R	FPB Series Round Stainless Steel Lid for 25" with Brushed Finish	28.317"	N/A	1.955"
LID-14S	FPB Series Square Stainless Steel Lid for 14" with Brushed Finish	16.2"	N/A	2.625"
LID-20S	FPB Series Square Stainless Steel Lid for 20" with Brushed Finish	22.05"	22.05"	2.625"
LID-26S	FPB Series Square Stainless Steel Lid for 26" with Brushed Finish	22.05"	22.05"	2.625"
LID-32S	FPB Series Square Stainless Steel Lid for 32" with Brushed Finish	22.05"	22.05"	2.625"
LID-38S	FPB Series Square Stainless Steel Lid for 38" with Brushed Finish	22.05"	22.05"	2.625"

Some lids will not fit when using glass windshield, check sizing before ordering.

Hoses and Regulators



FG-12QDK



FG-LPRK



FG-32LPHRK/FG-60LPHRK

Model	Description
FG-12QDK	Quick Disconnect Kit for use with Natural Gas or Liquid Propane - 12' (144"), 3/8" I.D. Gray PVC Galvanized Steel Hose, Quick Disconnect Nipple and Socket Dust Cap, 80,000 BTU. CSA-AGA/CGA approved to -40 Degrees F
FG-LPRK	100,000 BTU Liquid Propane Regulator, 3/8" MPT Adapter and Acme Quick Connctet. CSA-AGA/CGA approved
FG-32LPHRK	32" Liquid Propane Hose and Regulator Kit, 85,375 BTUe 10" WC, CSA - AGA / CGA Approved
FG-60LPHRK	60" Liquid Propane Hose and Regulator Kit, 73,800 BTUe 10" WC, CSA - AGA / CGA Approved

Keys Valves, Keys and Covers



KVSC-PC-8
Standard Capacity Straight Key Valve with Polished Chrome Cover and 8" Key, 158,000 BTU @ 1/2 PSI



KVHC-PC-8
High Capacity Straight Key Valve with Polished Chrome Cover and 8" Key, 354,000 BTU @ 1/2 PSI



BVL-3LK-CP
3/4" IPS Angle Key Valve with Chrome Cover and 8" Key, 400,000 BTU



BVL-3SK-CP
3/4" IPS Straight Key Valve with Chrome Cover and 8" Key, 400,000 BTU



KEY-PTR-3
3" Pewter Key for Key Valve



KEY-BLK-3
3" Flat Black Key for Key Valve



KEY-PC-8
8" Polished Chrome Key for Key Valve



KEY-PC-3
3" Polished Chrome Key for Key Valve



KEY-PC-12
12" Polished Chrome Key for Key Valve



KC-PC
Key Valve Cover - Polished Chrome



KC-PTR
Key Valve Cover - Pewter



KC-BLK
Key Valve Cover - Flat Black

MSI Kits

For use with FPB Series TMS and MT systems only. For Brick Paver applications refer to page 28



MSI-BSMTI



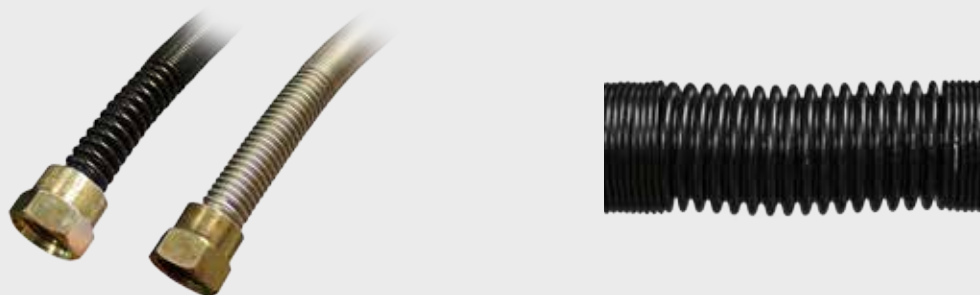
MSI-BSTMS

Model	Description
MSI-BSMTI	Manual Spark Ignition Kit for FPB Series Match Throw Systems featuring the Burning Spur. Kit includes: Mounting Plate, Spark Igniter Module, Ignition Hood, Ignition Hood Screen, 2-Probe Spark Igniter, Burner Rain Shield and Bracket, Ignition Wiring, AAA Battery
MSI-BSTMS	Manual Spark Ignition Kit for FPB Series TMS Systems featuring the Burning Spur. Kit Includes: Spark Igniter Module, Ignition Hood, Ignition Hood Screen, 2-Probe Spark Igniter, Burner Rain Shield and Bracket, Ignition wiring, AAA Battery

Flex Lines

CSA Approved Stainless Steel Gas Hearth Connectors
Available in 3/8" & 1/2" OD with Flared Fittings Stainless
or Black Coated Stainless

Tranquiline "Non-Whistling" Gas Flex Lines with and
without fittings



T100 Series Gas Connectors 3/8" OD (1/4" ID) - Tranquiline Whistle-Free w Fittings

T100-3131-12	Tranquiline flex connector, 3/8" OD (1/4" ID) x 12", with 1/2" MIP x 1/2" MIP fittings
T100-3131-18	Tranquiline flex connector, 3/8" OD (1/4" ID) x 18", with 1/2" MIP x 1/2" MIP fittings
T100-3131-24	Tranquiline flex connector, 3/8" OD (1/4" ID) x 24", with 1/2" MIP x 1/2" MIP fittings
T100-3131-30	Tranquiline flex connector, 3/8" OD (1/4" ID) x 30", with 1/2" MIP x 1/2" MIP fittings
T100-3131-36	Tranquiline flex connector, 3/8" OD (1/4" ID) x 36", with 1/2" MIP x 1/2" MIP fittings

T100-2131-12	Tranquiline flex connector, 3/8" OD (1/4" ID) x 12", with 3/8" MIP x 1/2" MIP fittings
T100-2131-18	Tranquiline flex connector, 3/8" OD (1/4" ID) x 18", with 3/8" MIP x 1/2" MIP fittings
T100-2131-24	Tranquiline flex connector, 3/8" OD (1/4" ID) x 24", with 3/8" MIP x 1/2" MIP fittings
T100-2131-30	Tranquiline flex connector, 3/8" OD (1/4" ID) x 30", with 3/8" MIP x 1/2" MIP fittings
T100-2131-36	Tranquiline flex connector, 3/8" OD (1/4" ID) x 36", with 3/8" MIP x 1/2" MIP fittings
T100-2121-12	Tranquiline flex connector, 3/8" OD (1/4" ID) x 12", with 3/8" MIP x 3/8" MIP fittings
T100-2121-18	Tranquiline flex connector, 3/8" OD (1/4" ID) x 18", with 3/8" MIP x 3/8" MIP fittings
T100-2121-24	Tranquiline flex connector, 3/8" OD (1/4" ID) x 24", with 3/8" MIP x 3/8" MIP fittings
T100-2121-30	Tranquiline flex connector, 3/8" OD (1/4" ID) x 30", with 3/8" MIP x 3/8" MIP fittings
T100-2121-36	Tranquiline flex connector, 3/8" OD (1/4" ID) x 36", with 3/8" MIP x 3/8" MIP fittings

T100-2122-12	Tranquiline flex connector, 3/8" OD (1/4" ID) x 12", with 3/8" MIP x 3/8" FIP fittings
T100-2122-18	Tranquiline flex connector, 3/8" OD (1/4" ID) x 18", with 3/8" MIP x 3/8" FIP fittings
T100-2122-24	Tranquiline flex connector, 3/8" OD (1/4" ID) x 24", with 3/8" MIP x 3/8" FIP fittings
T100-2122-30	Tranquiline flex connector, 3/8" OD (1/4" ID) x 30", with 3/8" MIP x 3/8" FIP fittings
T100-2122-36	Tranquiline flex connector, 3/8" OD (1/4" ID) x 36", with 3/8" MIP x 3/8" FIP fittings
T100-2132-12	Tranquiline flex connector, 3/8" OD (1/4" ID) x 12", with 3/8" MIP x 1/2" FIP fittings
T100-2132-18	Tranquiline flex connector, 3/8" OD (1/4" ID) x 18", with 3/8" MIP x 1/2" FIP fittings
T100-2132-24	Tranquiline flex connector, 3/8" OD (1/4" ID) x 24", with 3/8" MIP x 1/2" FIP fittings
T100-2132-30	Tranquiline flex connector, 3/8" OD (1/4" ID) x 30", with 3/8" MIP x 1/2" FIP fittings
T100-2132-36	Tranquiline flex connector, 3/8" OD (1/4" ID) x 36", with 3/8" MIP x 1/2" FIP fittings
T100-3122-12	Tranquiline flex connector, 3/8" OD (1/4" ID) x 12", with 1/2" MIP x 3/8" FIP fittings
T100-3122-18	Tranquiline flex connector, 3/8" OD (1/4" ID) x 18", with 1/2" MIP x 3/8" FIP fittings
T100-3122-24	Tranquiline flex connector, 3/8" OD (1/4" ID) x 24", with 1/2" MIP x 3/8" FIP fittings
T100-3122-30	Tranquiline flex connector, 3/8" OD (1/4" ID) x 30", with 1/2" MIP x 3/8" FIP fittings
T100-3122-36	Tranquiline flex connector, 3/8" OD (1/4" ID) x 36", with 1/2" MIP x 3/8" FIP fittings

T102-3122-12	Tranquiline flex connector, 3/8" OD (1/4" ID) x 12", with 1/2" MIP x 3/8" FIP fittings, Black Coated
T102-3122-18	Tranquiline flex connector, 3/8" OD (1/4" ID) x 18", with 1/2" MIP x 3/8" FIP fittings, Black Coated
T102-3122-24	Tranquiline flex connector, 3/8" OD (1/4" ID) x 24", with 1/2" MIP x 3/8" FIP fittings, Black Coated
T102-3122-30	Tranquiline flex connector, 3/8" OD (1/4" ID) x 30", with 1/2" MIP x 3/8" FIP fittings, Black Coated
T102-3122-36	Tranquiline flex connector, 3/8" OD (1/4" ID) x 36", with 1/2" MIP x 3/8" FIP fittings, Black Coated
T102-3132-12	Tranquiline flex connector, 3/8" OD (1/4" ID) x 12", with 1/2" MIP x 1/2" FIP fittings, Black Coated
T102-3132-18	Tranquiline flex connector, 3/8" OD (1/4" ID) x 18", with 1/2" MIP x 1/2" FIP fittings, Black Coated
T102-3132-24	Tranquiline flex connector, 3/8" OD (1/4" ID) x 24", with 1/2" MIP x 1/2" FIP fittings, Black Coated
T102-3132-30	Tranquiline flex connector, 3/8" OD (1/4" ID) x 30", with 1/2" MIP x 1/2" FIP fittings, Black Coated
T102-3132-36	Tranquiline flex connector, 3/8" OD (1/4" ID) x 36", with 1/2" MIP x 1/2" FIP fittings, Black Coated

T102-3232-12	Tranquiline flex connector, 3/8" OD (1/4" ID) x 12", with 1/2" FIP x 1/2" FIP fittings, Black Coated
T102-3232-18	Tranquiline flex connector, 3/8" OD (1/4" ID) x 18", with 1/2" FIP x 1/2" FIP fittings, Black Coated
T102-3232-24	Tranquiline flex connector, 3/8" OD (1/4" ID) x 24", with 1/2" FIP x 1/2" FIP fittings, Black Coated
T102-3232-30	Tranquiline flex connector, 3/8" OD (1/4" ID) x 30", with 1/2" FIP x 1/2" FIP fittings, Black Coated
T102-3232-36	Tranquiline flex connector, 3/8" OD (1/4" ID) x 36", with 1/2" FIP x 1/2" FIP fittings, Black Coated
T102-2232-12	Tranquiline flex connector, 3/8" OD (1/4" ID) x 12", with 3/8" MIP x 3/8" FIP fittings, Black Coated
T102-2232-18	Tranquiline flex connector, 3/8" OD (1/4" ID) x 18", with 3/8" MIP x 3/8" FIP fittings, Black Coated
T102-2232-24	Tranquiline flex connector, 3/8" OD (1/4" ID) x 24", with 3/8" MIP x 3/8" FIP fittings, Black Coated
T102-2232-30	Tranquiline flex connector, 3/8" OD (1/4" ID) x 30", with 3/8" MIP x 3/8" FIP fittings, Black Coated
T102-2232-36	Tranquiline flex connector, 3/8" OD (1/4" ID) x 36", with 3/8" MIP x 3/8" FIP fittings, Black Coated
T102-2222-12	Tranquiline flex connector, 3/8" OD (1/4" ID) x 12", with 3/8" FIP x 3/8" FIP fittings, Black Coated
T102-2222-18	Tranquiline flex connector, 3/8" OD (1/4" ID) x 18", with 3/8" FIP x 3/8" FIP fittings, Black Coated
T102-2222-24	Tranquiline flex connector, 3/8" OD (1/4" ID) x 24", with 3/8" FIP x 3/8" FIP fittings, Black Coated
T102-2222-30	Tranquiline flex connector, 3/8" OD (1/4" ID) x 30", with 3/8" FIP x 3/8" FIP fittings, Black Coated
T102-2222-36	Tranquiline flex connector, 3/8" OD (1/4" ID) x 36", with 3/8" FIP x 3/8" FIP fittings, Black Coated

T100 Series Gas Connectors 3/8" OD (1/4" ID) - Tranquiline Whistle-Free w Fittings - Nut to Nut

T100-9898-10	Tranquiline flex connector, 3/8" OD (1/4" ID) x 10", with 3/8" OD flare nuts
T100-9898-16	Tranquiline flex connector, 3/8" OD (1/4" ID) x 16", with 3/8" OD flare nuts
T100-9898-22	Tranquiline flex connector, 3/8" OD (1/4" ID) x 22", with 3/8" OD flare nuts
T100-9898-28	Tranquiline flex connector, 3/8" OD (1/4" ID) x 28", with 3/8" OD flare nuts
T100-9898-34	Tranquiline flex connector, 3/8" OD (1/4" ID) x 34", with 3/8" OD flare nuts

T102 Series Gas Connectors 3/8" OD (1/4" ID) - Tranquiline Whistle-Free w Fittings - Nut to Nut - Black Coated

T102-9898-10	Tranquiline flex connector, 3/8" OD (1/4" ID) x 10", with 3/8" OD flare nuts, Black Coated
T102-9898-16	Tranquiline flex connector, 3/8" OD (1/4" ID) x 16", with 3/8" OD flare nuts, Black Coated
T102-9898-22	Tranquiline flex connector, 3/8" OD (1/4" ID) x 22", with 3/8" OD flare nuts, Black Coated
T102-9898-28	Tranquiline flex connector, 3/8" OD (1/4" ID) x 28", with 3/8" OD flare nuts, Black Coated
T102-9898-34	Tranquiline flex connector, 3/8" OD (1/4" ID) x 34", with 3/8" OD flare nuts, Black Coated

T200 Series Gas Connectors 1/2" OD (3/8" ID) - Tranquiline Whistle-Free w Fittings

T200-3131-12	Tranquiline flex connector, 1/2" OD (3/8" ID) x 12", with 1/2" MIP x 1/2" MIP fittings
T200-3131-18	Tranquiline flex connector, 1/2" OD (3/8" ID) x 18", with 1/2" MIP x 1/2" MIP fittings
T200-3131-24	Tranquiline flex connector, 1/2" OD (3/8" ID) x 24", with 1/2" MIP x 1/2" MIP fittings
T200-3131-30	Tranquiline flex connector, 1/2" OD (3/8" ID) x 30", with 1/2" MIP x 1/2" MIP fittings
T200-3131-36	Tranquiline flex connector, 1/2" OD (3/8" ID) x 36", with 1/2" MIP x 1/2" MIP fittings
T200-2131-12	Tranquiline flex connector, 1/2" OD (3/8" ID) x 12", with 3/8" MIP x 1/2" MIP fittings

T202-2232-36	Tranquiline flex connector, 1/2" OD (3/8" ID) x 36", with 3/8" FIP x 1/2" FIP fittings, Black Coated
T202-2222-12	Tranquiline flex connector, 1/2" OD (3/8" ID) x 12", with 3/8" FIP x 3/8" FIP fittings, Black Coated
T202-2222-18	Tranquiline flex connector, 1/2" OD (3/8" ID) x 18", with 3/8" FIP x 3/8" FIP fittings, Black Coated
T202-2222-24	Tranquiline flex connector, 1/2" OD (3/8" ID) x 24", with 3/8" FIP x 3/8" FIP fittings, Black Coated
T202-2222-30	Tranquiline flex connector, 1/2" OD (3/8" ID) x 30", with 3/8" FIP x 3/8" FIP fittings, Black Coated
T202-2222-36	Tranquiline flex connector, 1/2" OD (3/8" ID) x 36", with 3/8" FIP x 3/8" FIP fittings, Black Coated

T200 Series Gas Connectors 1/2" OD (3/8" ID) - Tranquiline Whistle-Free w Fittings - Nut to Nut

T200-9898-10	Tranquiline flex connector, 1/2" OD (3/8" ID) x 10", with 1/2" OD flare nuts
T200-9898-16	Tranquiline flex connector, 1/2" OD (3/8" ID) x 16", with 1/2" OD flare nuts
T200-9898-22	Tranquiline flex connector, 1/2" OD (3/8" ID) x 22", with 1/2" OD flare nuts
T200-9898-28	Tranquiline flex connector, 1/2" OD (3/8" ID) x 28", with 1/2" OD flare nuts
T200-9898-34	Tranquiline flex connector, 1/2" OD (3/8" ID) x 34", with 1/2" OD flare nuts
T200-9898-46	Tranquiline flex connector, 1/2" OD (3/8" ID) x 46", with 1/2" OD flare nuts

T202 Series Gas Connectors 1/2" OD (3/8" ID) - Tranquiline Whistle-Free w Fittings - Nut to Nut - Black Coated

T202-9898-10	Tranquiline flex connector, 1/2" OD (3/8" ID) x 10", with 1/2" OD flare nuts, Black Coated
T202-9898-16	Tranquiline flex connector, 1/2" OD (3/8" ID) x 16", with 1/2" OD flare nuts, Black Coated
T202-9898-22	Tranquiline flex connector, 1/2" OD (3/8" ID) x 22", with 1/2" OD flare nuts, Black Coated
T202-9898-28	Tranquiline flex connector, 1/2" OD (3/8" ID) x 28", with 1/2" OD flare nuts, Black Coated
T202-9898-34	Tranquiline flex connector, 1/2" OD (3/8" ID) x 34", with 1/2" OD flare nuts, Black Coated

Universal Gas Connection Fittings

UGIK12	Universal Gas Install Kit, Tranquiline flex connector, 3/8" OD (1/4" ID) x 12"- (3/8" & 1/2" Flare to NPT) [Not Pictured]
UGIK18	Universal Gas Install Kit, Tranquiline flex connector, 3/8" OD (1/4" ID) x 18"- (3/8" & 1/2" Flare to NPT) [Not Pictured]
UGIK24	Universal Gas Install Kit, Tranquiline flex connector, 3/8" OD (1/4" ID) x 24"- (3/8" & 1/2" Flare to NPT) [Not Pictured]
UGIK36	Universal Gas Install Kit, Tranquiline flex connector, 3/8" OD (1/4" ID) x 36"- (3/8" & 1/2" Flare to NPT) [Not Pictured]
UGIK48	Universal Gas Install Kit, Tranquiline flex connector, 3/8" OD (1/4" ID) x 48"- (3/8" & 1/2" Flare to NPT) [Not Pictured]

Gas Shut-Off Valves



01-387
Connector Ball Valve
3/8" OD Flare x 1/2" FIP



01-487
Connector Ball Valve
1/2" OD Flare x 1/2" FIP



01-266
Flare Ball Valve
3/8" OD Flare x 3/8" OD Flare



01-288
Flare Ball Valve
1/2" OD Flare x 1/2" OD Flare

Steel Gas Flare Fittings



U1-6C-S
Steel Gas Flare Fitting, 3/8" OD
Flare x 3/8" MIP (tapped 1/8" FIP)



U1-6D-S
Steel Gas Flare Fitting, 3/8" OD
Flare x 1/2" MIP (tapped 3/8" FIP)



U3-6C-S
Steel Gas Flare Fitting, 3/8" OD
Flare x 3/8" FIP



U1-8D-S
Steel Gas Flare Fitting, 1/2" OD
Flare x 1/2" MIP (Tapped 3/8" FIP)
Elbow



49-66
Steel Gas Flare Fitting, 3/8" OD
Flare x 3/8" MIP Elbow



50-68
Steel Gas Flare Fitting, 3/8" OD
Flare x 1/2" FIP Elbow



U1-8C-S
Steel Gas Flare Fitting, 1/2" OD
Flare x 3/8" MIP (Tapped 1/4" FIP)
Elbow



50-88
Steel Gas Flare Fitting, 1/2" OD
Flare x 1/2" FIP Elbow



U3-8C-S
Steel Gas Flare Fitting, 1/2" OD
Flare x 3/8" FIP



U3-8D-S
Steel Gas Flare Fitting, 1/2" OD
Flare x 1/2" FIP



49-88
Steel Gas Flare Fitting, 1/2" OD
Flare x 1/2" MIP Elbow



46-88
Brass Female Connector, 1/2" OD
x 1/2" FIP



46-66
Brass Female Connector, 3/8" OD
x 3/8" FIP



42-R-86
Brass Reducing Union, 1/2" x 3/8"

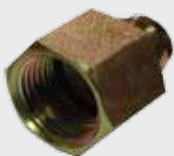


46-86
Brass Female Connector, 1/2" OD
x 3/8" FIP



48-86
Brass Female Connector, 1/2" OD
x 3/8" MIP

Schedule 40 Black Steel



U3-6D-S
Steel Gas Flare Fitting, 3/8" OD
Flare x 1/2" FIP



113BS-E5
Schedule 40 Black Steel Pipe
Nipple, 5" Long 3/4" MIP



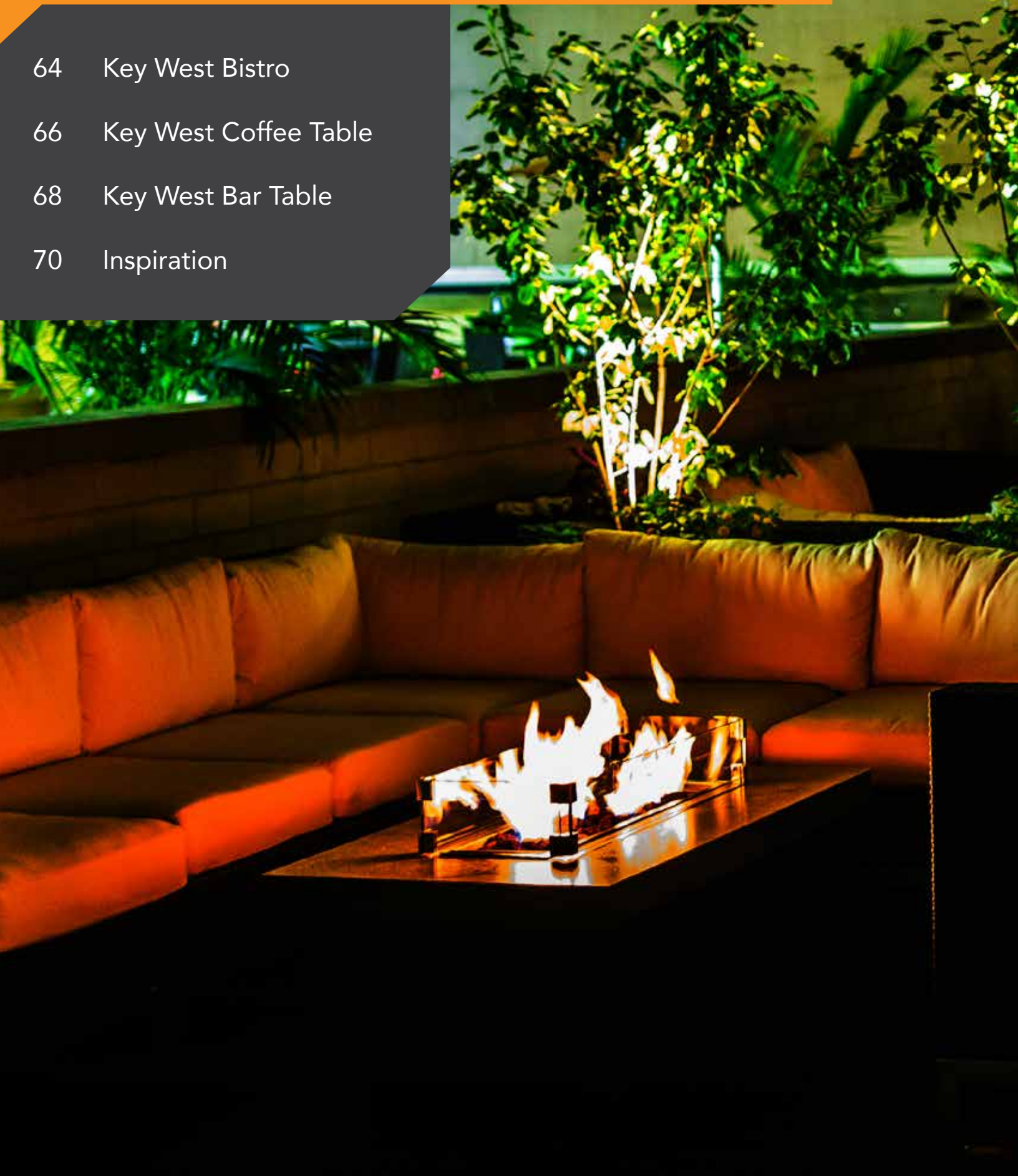
113BS-C
Schedule 40 Black Steel Pipe
Nipple, Close 3/8" MIP



BS309-6
Schedule 40 Black Steel 90 Degree
Elbow, 3/8"

FIRE FURNISHINGS

- 64 Key West Bistro
- 66 Key West Coffee Table
- 68 Key West Bar Table
- 70 Inspiration





Key West Bistro

All In One Fire
Furnishing for
Outdoor Living



STAINLESS STEEL : KWBTO-L/SS




IRON GREY : KWBTO-L/IG

Features

- Bistro Fire Table - features Iron Grey Ultra Violet powder coated finish. Table measures 24 5/8" Tall (floor to top), Top measures 35 7/8" Square with Mitered Corners
- Choice of Iron Grey or Stainless Steel Top
- 35,000 BTU, operates on an 20 lb. Propane Tank hidden inside the table (tank sold separately)
- Match Light Ignition with Safety Valve that turns the gas supply off in case of flame loss
- Dining Leaf insert included, matches top color, creates a flat surface when optional Glass Windshield is removed
- Ships as Propane, Natural Gas Conversion Kit available (376-968)
- Tested and Listed by Intertek for installation in USA and Canada
- 5 Year Limited Lifetime Warranty

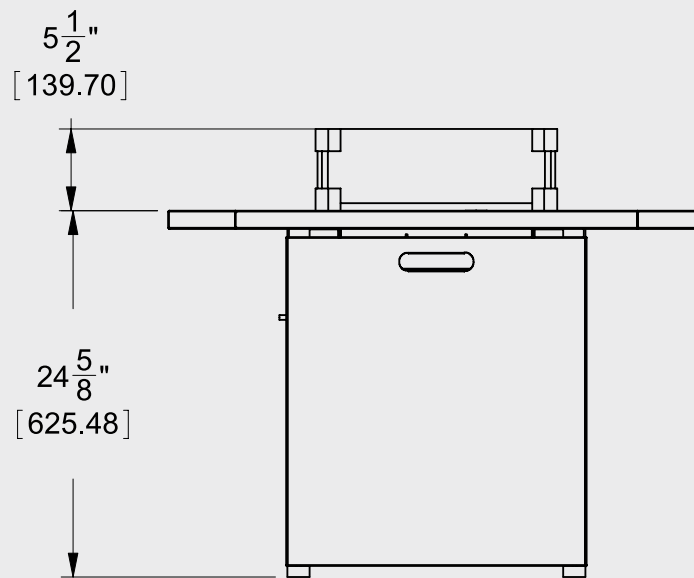
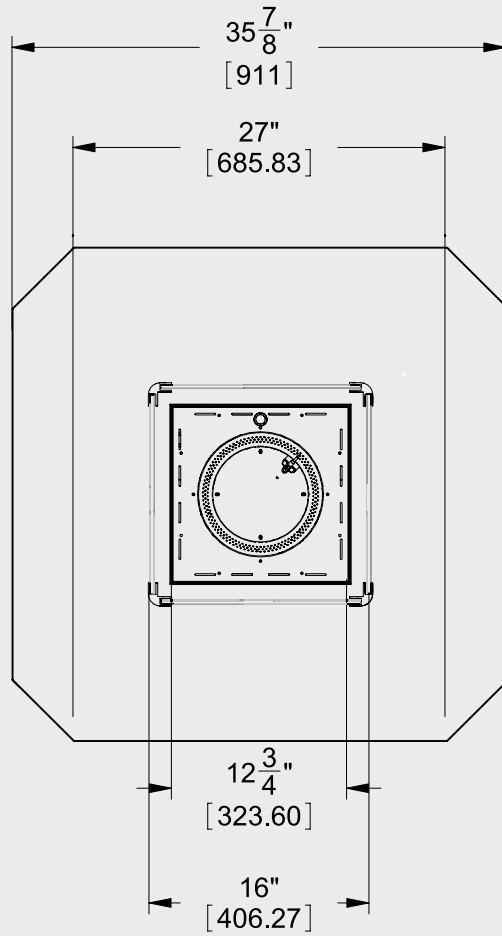


Model	Description 
KWBTO-L/IG	Key West Bistro Table with Iron Grey Base and Top, KWBTO-L, 286-924 Iron Grey Top, 34,000 BTU Liquid Propane
KWBTO-L/SS	Key West Bistro Table with Iron Grey Base and Stainless Steel Top, KWBTO-L, 286-924 Stainless Steel Top 286-927, 34,000 BTU Liquid Propane

Accessories

286-968	Key West Bistro Table Natural Gas Conversion Kit
326-930	Driftwood 6 piece Twig Set [pictured on page 47]
286-932	Tempered Glass Windshield (14 1/2" Long x 14 1/2" Wide x 6" Tall) Black Polyester Cover included
286-938	Seasonal Weather Cover for Bistro Table

Key West Bistro - Unit Dimensions



Shown with optional Glass Windshield (286-932)

Key West Coffee Table

All In One Fire
Furnishing for
Outdoor Living



STAINLESS STEEL : KWCH-P-SS




SUNSET BRONZE : KWCH-P-BR

Features

- Coffee Fire Table - features Sunset Bronze Ultra Violet powder coated finish. Table measures 19 1/4" Tall (floor to top) - Top measures 48" Length x 24" Width
- Choice of Stainless Steel or Sunset Bronze Top
- 49,000 BTU, operates on an 11 lb. Propane Tank hidden inside the table (tank sold separately)
- Battery Operated Electronic Ignition System with Safety Valve that turns off the gas supply in case of flame loss
- Dining Leaf insert included, matches top color, creates a flat surface when optional Glass Windshield is removed
- Ships as Propane, Natural Gas Conversion Kit available (376-968)
- Tested and Listed by Intertek for installation in USA and Canada
- 5 Year Limited Lifetime Warranty

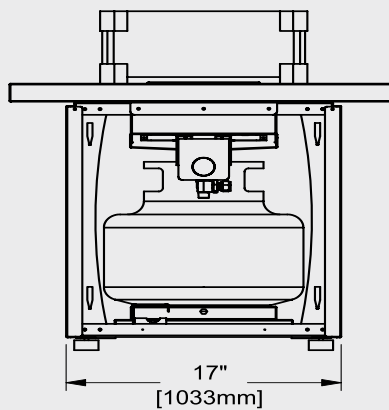
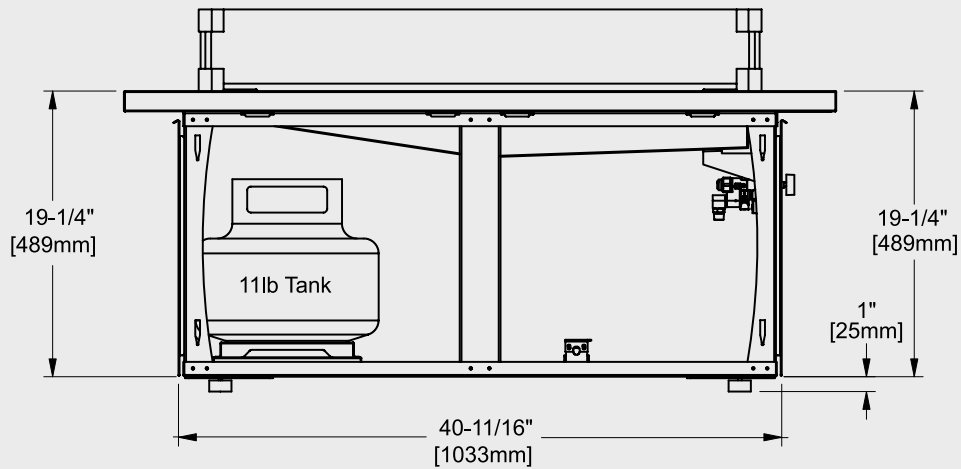
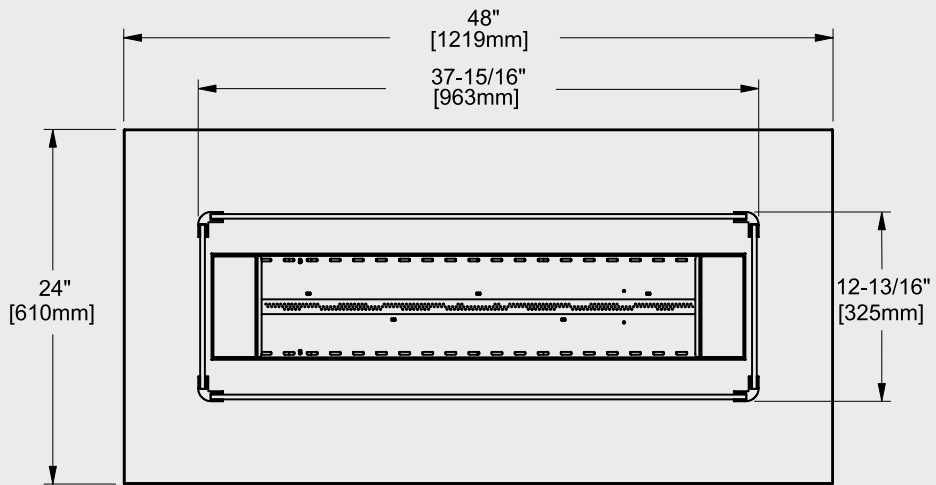


Model	Description 
KWCH-P-SS	Key West Coffee Table with Stainless Steel Top, KWCH-L1, 377-927 Table Top, 49,000 BTU Liquid Propane
KWCH-P-BR	Key West Coffee Table with Sunset Bronze Top, KWCH-L1, 377-926 Table Top, 49,000 BTU Liquid Propane

Accessories

376-968	Natural Gas Conversion kit for Key West Bar, Coffee and Dining Height models, 50,000 BTU
326-930	Driftwood 6 piece Twig Set [pictured on page 47]
GWS-3812	Tempered Glass Windshield (38" Long x 12 7/8" Wide x 7 1/2" Tall) Optional Black Polyester Cover available (376-029)
376-029	Black Polyester Cover for GWS-3812
377-938	Seasonal Weather Cover for Key West Coffee Table

Key West Coffee Table - Unit Dimensions



Shown with optional Glass Windshield (GWS-3812)

Key West Bar Table

All In One Fire
Furnishing for
Outdoor Living



BROWN TILE TOP




SLATE TILE TOP

Features

- Bar Fire Table - features Sunset Bronze Ultra Violet powder coated finish. Table measures 42 3/16" Tall (floor to top) - Top measures 62" Length x 36" Width
- Sunset Bronze base with choice of Brown or Slate Colored Tile Top with 30" Stainless Steel Linear Burner
- 49,000 BTU, operates on an 20 lb. Propane tank hidden inside the table (tank sold separately)
- On/Off Battery Operated Electronic Ignition System with Safety valve that turns the gas supply off in case of flame loss
- Dining Leaf insert included, matches top color, creates a flat surface when optional glass windshield is removed
- Ships as Propane, Natural Gas Conversion Kit available (376-968)
- Tested and Listed by Intertek for installation in USA and Canada - 5-Year Limited Lifetime Warranty

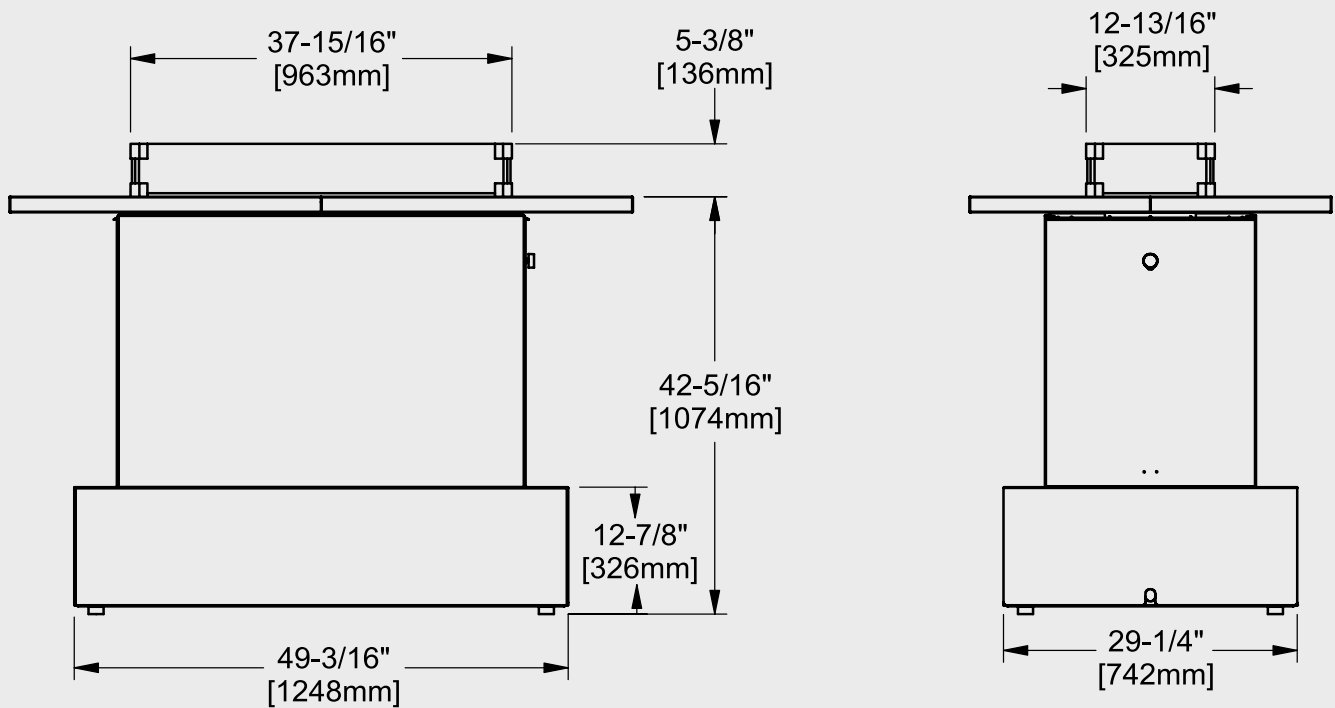
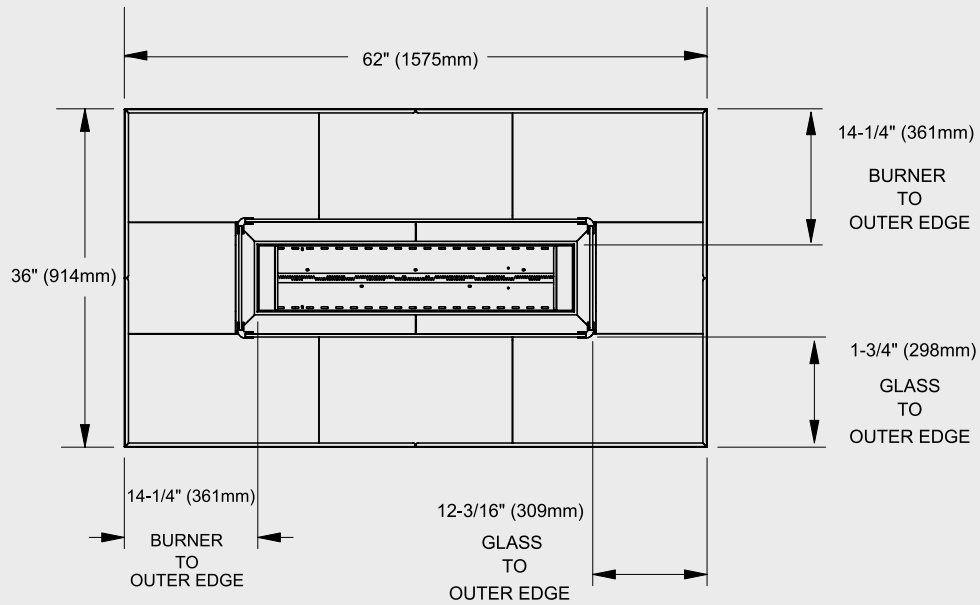


Model	Description 
KWBH-B/P	Key West Bar Table - Sunset Bronze with Brown Colored Tile, KWDH-L1, 376-946 Pedestal, 377-900 Table Top, 377-903 Brown Colored Tile Set, 49,000 BTU Liquid Propane
KWBH-S/P	Key West Bar Table- Sunset Bronze with Slate Colored Tile, KWDH-L1, 376-946 Pedestal, 377-900 Table Top, 377-902 Slate Colored Tile Set, 49,000 BTU Liquid Propane

Accessories

376-968	Natural Gas Conversion kit for Key West Bar, Coffee and Dining Height models, 50,000 BTU
326-930	Driftwood 6 piece Twig Set [pictured on page 47]
GWS-3812	Tempered Glass Windshield (38 "Long x 12 7/8" Wide x 7 1/2" Tall) Optional Black Polyester Cover available (376-029)
376-029	Black Polyester Cover for GWS-3812
377-942	Seasonal Weather Cover for Key West Bar Table

Key West Bar Table - Unit Dimensions



Shown with optional Glass Windshield (GWS-3812)

Inspiration 48

All In One Fire
Furnishing for
Outdoor Living



BALTIC BROWN

Features

- 48" Diameter Baltic Brown Granite Top
- Wrought Iron Frame with Beautiful Chocolate Brown Ultra Violet Powder Coat Finish
- 19" Round, 304 Stainless Steel Match Light Burner System featuring 16" Burning Spur, 65,000 BTU Liquid Propane
- Easy Access Tilt Out Door holds Liquid Propane Tank in place (tank sold separately)
- 10 lb. of Lava Rock and 25 lb. of GR-Copper Reflective Glass included
- Ships as Propane, Natural Gas Conversion Kit available (O/AS#42)
- Dimensions: 48" Diameter Top, Base 25" High, 40 1/2" Diameter, weighs approximately 250 lb.

Model

Description

IFP48-P	Inspiration Fire Pit with 48" Baltic Brown Granite Top, Burner System, 15 lb. GR-Copper Reflective Glass, 65,000 BTU Liquid Propane
---------	---



Accessories

NGK#29	Natural Gas (NG) Conversion Kit. Converts IFP48-P from Liquid Propane to Natural Gas, 65,000 BTU
LID-19R	Lid for 19" Round Pan with Brushed Stainless Steel Finish
L-BF	Beach Fire 8 Piece Log Set (1 box) shipping weight approximately 20 lb. [pictured on page 47]
L-SF	Spit Fire 18 Piece Log Set [pictured on page 47]
326-930	Driftwood 6 piece twig set [pictured on page 47]
FG-12QDK	Quick Disconnect Kit for use with Natural Gas or Liquid Propane - 12' (144"), 2/8" I.D. Gray PVC Galvanized Steel Hose, Quick Disconnect Nipple and Socket Dust Cap, 80,000 BTU. CSA-AGA/CGA approved to -40 Degrees F [pictured on page 53]

Firetable Dimension, Weight and BTU Chart

Table	Top Length	Top Width	Height	Shipping Weight	LP Tank Size	BTU/H LP	BTU/H NG
Key West Bistro	35 7/8"	35 7/8"	24 5/8"	123 lbs.	20lb	35,000	34,000
Key West Coffee	48"	24"	19 1/4"	204 lbs.	11lb	49,000	50,000
Key West Bar	62"	36"	42 3/16"	403 lbs.	20lb	49,000	50,000
Inspiration 48	48"	48"	25"	360 lbs.	20lb	65,000	65,000



POINT OF PURCHASE ITEMS



FG-JEWELRY POP

Retail Jewelry Point of Purchase Display
Holds up to 56 bags of Fireglass

GL-GLASS TOWER

Firegear spinning Glass Tower with 20 Glass Cylinders
13" Tall x 10" Diameter



FG-AD-BANNER

Firegear Authorized Dealer Banner
2 foot High x 4 foot Long



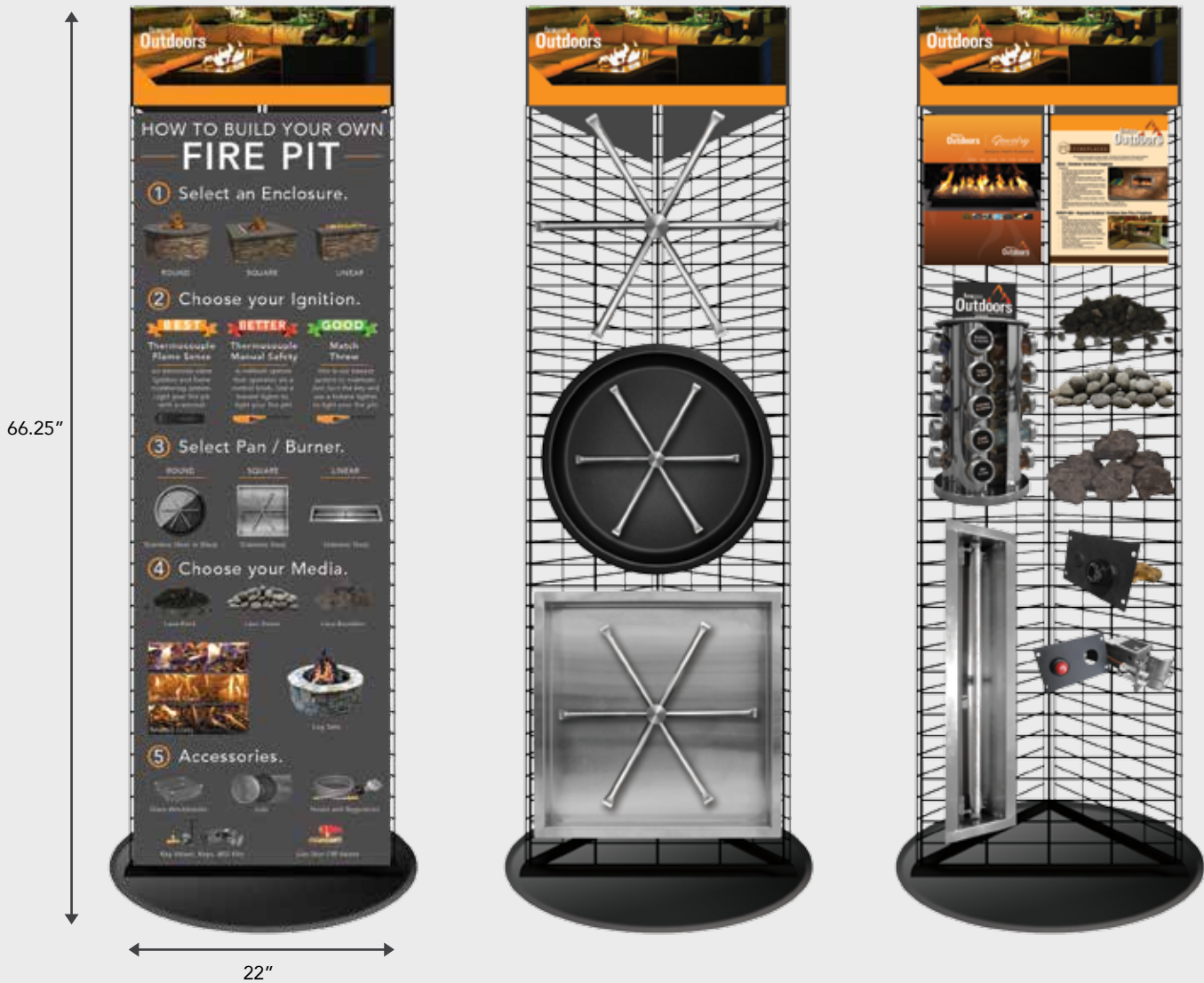
FG-KIOSK OUTDOOR

Three Sided Spinning Kiosk - Requires less than 3 square Feet of Retail Floor Space
Product may vary by Distributor

Side 1

Side 2

Side 3



Natural Gas : Pipe Sizing Chart

Length of Pipe in Feet	Size of Pipe in Inches								
	1/2"	3/4"	1"	1-1/4"	1-1/2"	2"	2-1/2"	3"	4"
10	108	230	387	793	1237	2259	3640	6434	----
20	75	160	280	569	877	1610	2613	5236	9521
30	61	129	224	471	719	1335	2165	4107	7859
40	52	110	196	401	635	1143	1867	3258	6795
50	46	98	177	364	560	1041	1680	2936	6142
60	42	89	159	336	513	957	1559	2684	5647
70	38	82	149	317	476	896	1447	2492	5250
80	36	76	140	239	443	840	1353	2315	4900
90	33	71	133	275	420	793	1288	2203	4667
100	32	68	126	266	411	775	1246	2128	4518
125	28	60	117	243	369	700	1143	1904	4065
150	25	54	105	215	327	625	1008	1689	3645
175	23	50	93	196	303	583	993	1554	3370
200	22	47	84	182	280	541	877	1437	3160
300	17	37	70	145	224	439	686	1139	2539

Natural Gas (NG) flow is given in thousands of BTU/hr. - One cubic foot of LP gas - 1000 BTU

Nominal pressure at the burner for Natural Gas is 3.5" of water column. (Typical machine supply 5"-7")

Pipe length must include additional length for all fittings. Add approximately 5 feet of pipe per fitting.

Natural Gas Example: A machine with a burner that requires 440,000 BTU would need a 1 -1/4" pipe for a 20' long run.

Liquid Propane : Pipe Sizing Chart

Length of Pipe in Feet	Size of Pipe in Inches								
	1/2"	3/4"	1"	1-1/4"	1-1/2"	2"	2-1/2"	3"	4"
10	275	567	1071	2205	3307	6221	10140	17990	35710
20	189	393	732	1496	2299	4331	7046	12510	25520
30	152	315	590	1212	1858	3465	5695	10110	20620
40	129	267	504	1039	1559	2992	4778	8481	17300
50	114	237	448	913	1417	2646	4343	7708	15730
60	103	217	409	834	1275	2394	3908	6936	14150
80	89	185	346	724	1086	2047	3329	5908	12050
100	78	162	307	630	976	1811	2991	5309	10830
125	69	146	275	567	866	1606	2654	4711	9613
150	63	132	252	511	787	1496	2412	4281	8736
200	54	112	209	439	665	1282	2083	3618	7382
250	48	100	185	390	590	1138	1808	3210	6549
300	43	90	168	353	534	1030	1637	2905	5927
350	40	83	155	325	491	947	1505	2671	5450
400	37	77	144	303	458	887	1404	2492	5084

Liquid Propane (LP) Gas flow is given in thousands of BTU/hr. - One cubic foot of LP gas - 2516 BTU

This chart refers to low pressure LP, after regulation, Standard nominal pressure at the burner for Liquid Propane Gas is 11" of water column.

Pipe length must include additional length for all fittings. Add approximately 5 feet of pipe per fitting.

LP Example: A machine with a burner that requires 440,000 BTU would need a 1" pipe for a 20' long run.

NOTE: The sizing charts above list the specific pipe sizes required for the amount of BTU's for a new gas line installations. If you are using an existing gas line you must take into consideration the existing gas line capacities to ensure you will have proper pressure. **This chart is for reference only, we recommend you consult with a Licensed Plumber/Gas Fitter or NFPA54 (National Fuel Gas Code - current edition) for more details.**

Glossary of Terms

FIRE PIT SYSTEMS

LOF	Line of Fire (Linear Burner Systems)
MT	Match Throw System
FPB	Fire Pit Burner System
TFS	Thermocouple Flame Sense
TMS	Thermocouple Manual Safety
MSI	Manual Spark Ignition (Piezo)
OD42	Outdoor 42" Ventless Fireplace
RTF	Ready to Finish
DIY	Do It Yourself
KD	Knock Down
DBS	Designer Burning Spur
DBS-#K	Designer Burning Spur Kit
FG-FR	Firegear Fire Ring

ACCESSORIES

FG-LB	Firegear Lava Boulders
FG-LAVA	Firegear Lava Rock
FG-LS	Firegear Lava Stones
OAS#	Orifice/Air Shutter
OGFPK	Outdoor Gas Fire Pit Kit
KVSC	Key Valve Standard Capacity (158,000 BTU)
KVHC	Key Valve High Capacity (354,000 BTU)
PC	Polished Chrome
PTR	Pewter
BLK	Black
MgO	Magnesium Oxide
BR	Brown
SS	Stainless Steel
TMR-AF1-/TX	Wireless Wall Timer - Transmitter Only
1001A/TX	Wireless On/Off Wall Switch - Transmitter Only
1322WT	Wireless HI/LO Wall Switch - Transmitter Only
FG-12QDK	Firegear 12-foot Quick Disconnect Kit
FG-LPRK	Firegear Liquid Propane Regulator Kit
FG-32LPHRK	Firegear 32-inch Liquid Propane Regulator Kit
FG-60LPHRK	Firegear 60-inch Liquid Propane Regulator Kit
L-BF	Log Set - Beach Fire
L-SF	Log Set - Spit Fire
L-SO	Log Set - Scarlet Oak
L-SEDONA	Log Set - Sedona
BXSS	Burner "Fiamma" Stainless Steel
RCAF-LMF	On/Off Remote Control
RS/2	Log Style Receiver Shield
AF-4000ADP24(80)	A/C Adapter for TFS Systems

KEY WEST PRODUCTS

KW	Key West
KWB	Key West Burner
KWCH	Key West Coffee Height
KWBH	Key West Bar Height
KWBTO	Key West Bistro
KWST	Key West See Thru

CERTIFICATION AGENCIES

ETL	Intertek Certification Agency
UL	Underwriters Laboratories
ANSI	American National Standards Institute
CSA	Canadian Standards Association

GLASS

GL	Glass Large (Broken)
GR	Glass Reflective (Broken)
GB	Glass Bead

FITTINGS

ID	Inside Dimension
MIP	Male Iron Pipe (NPT)
FIP	Female Iron Pipe (NPT)
NPT	National Pipe Threads

MEASUREMENTS

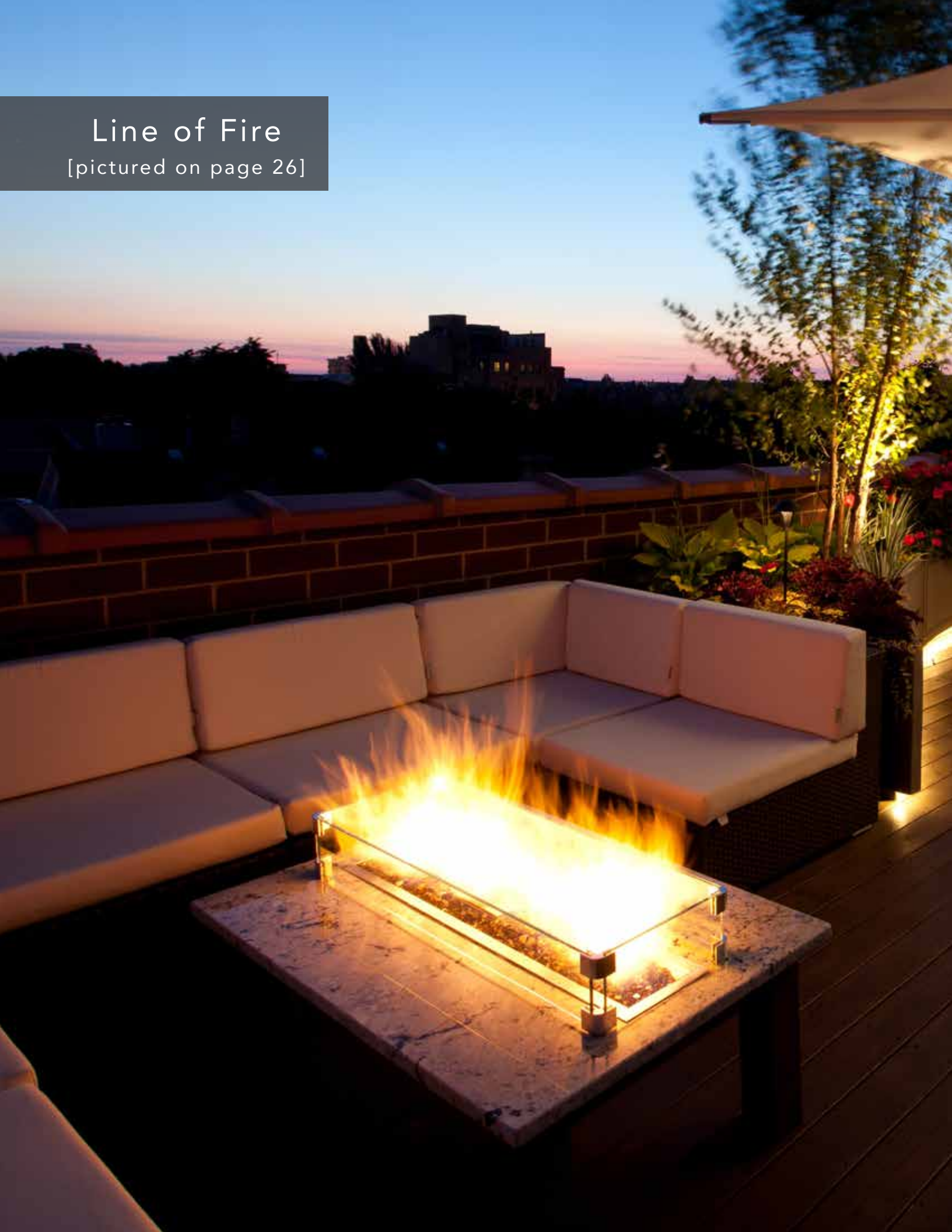
MM	Millimetre
kPa	Kilopascal

ICONS

	Thermocouple Flame Sense
	Thermocouple Manual Safety
	Match Throw
	UL Listed - Logo
	UL Listed - Small Logo
	Intertek - Logo
	G Series Pan + Burning Spur
	Stainless Steel Round Pan + Burning Spur
	Stainless Steel Square Pan + Burning Spur
	Stainless Steel Disc + Burning Spur
	Available in Canada
	Natural Gas
	Liquid Propane

Line of Fire

[pictured on page 26]



We want your Pictures!

We want to see what your projects look like.
Go ahead and send your best photos to

dsmith@firegearoutdoors.com

Allow us to cross-promote your work on the Firegear Outdoors website, facebook and Houzz pages. You may earn a spot in the 2016 catalog!

Criteria for photos

- Burning shots at dusk or dawn
- Resolutions at or above 1920 x 1080
- .tif / .jpg preferred
- Multiple angles preferred
- Send authorization for photo use

As a reward for sending us your photographs we will send you a special Firegear Outdoors thank you gift.



MAP Policy



Firegear Outdoors a Division of Skytech Products Group has carefully established its Minimum Advertised Pricing (MAP) program for products sold whether through traditional or Internet retailers effective January 1, 2014. All retailers have the legal right to set their own retail prices. However, Firegear Outdoors has unilaterally determined that excessive discounting and price promotions of our products detract from their value and image. Therefore, Firegear Outdoors will not continue to sell their products to retailers, whether traditional or internet, whose conduct adversely affects the image and value that Firegear Outdoors seeks to maintain.

The MAP Policy applies to all advertisements of Firegear Outdoors products in any and all media, including, without limitation, flyers, posters, coupons, mailers, inserts, newspapers, magazines, catalogs, mail order catalogs, Internet or similar electronic media including websites, email newsletters, email solicitations, television, radio and public signs. The MAP policy is not applicable to any in-store advertising that is displayed only in the store and not distributed to any customer. In store displays, point-of-sale signs, hang tags or bar codes or similar marks on products or product packaging which merely state the price are not considered "advertising" for purposes of this MAP policy.

The current listing of products and applicable MAP prices can be obtained by contacting Firegear Outdoors office (888) 672-8929 or request via email info@firegearoutdoors.com. The products and MAP may be changed from time to time at Firegear Outdoors sole discretion. Firegear Outdoors resellers are responsible for remaining current with MAP policy, products and pricing.

This policy applies only to advertised prices and does not apply to the price at which Firegear Outdoors products are actually sold or offered for sale to an individual consumer within resellers' retail location or over the telephone.

Price promotion of a discontinued product as long as it is clearly marked as discontinued is not a violation of this policy. All retailers may offer Firegear Outdoors products at any price in excess of the Retail/MAP. MAP for all advertising, promotion or sales shall not be less than Retail/Map in effect at the time of the sale.

Firegear Outdoors Distributors will cooperate in following MAP policy and in making sure that these policies are adhered to by their dealers. Distributors may sell to Internet dealers, provided that the Internet dealer abides by the Firegear Outdoors MAP policy.

If Firegear Outdoors determines that any product is being advertised by any retailer below the MAP, the retailer will be notified by Firegear Outdoors. If the situation is not remedied in a reasonable time, Firegear Outdoors will cease product shipment to the retailer and could include termination of future sales of Firegear Outdoor products to the dealer. After such termination any financial and confidentiality obligations under such contract shall survive. For legal reasons, Firegear Outdoors employees and sales representatives may not discuss this policy or any violations with any retailer or their employees. We request that you not attempt to discuss such matter with them. Due to the constraints of federal and state antitrust laws, we are unable to discuss the policy or it's applications with any retailer or their employees.

VER. 06.16.14



BUILD A
BETTER
with
our **fire!**
gear!

firegear
Outdoors