

BEST DECKING PRODUCTS SINCE 1968



Countertop
Wall Caps



Pool Forms
Step Liners



Deck Drains

PRODUCT CATALOG

Volume 15.2

STEGMEIER
LLC



Since 1968

Arlington, TX - Henderson, NV - Apopka, FL - Sacramento, CA - Atlanta, GA

STEGMEIER SALES REPRESENTATIVE

Blake Sales Assoc.
Ph. (800) 748-5756
Fax (209) 941-9191

Superior Solutions
Ph. (916) 812-8123
Fax (916) 290-0390

Stellar Sales
Ph. (940) 455-2701
Fax (940) 455-2702

Reeder & Vermaat Inc.
Ph. (630) 369-2244
Fax (630) 369-0341

Atlantic Sales Connection, Inc.
Ph. (407) 880-6480
Fax (407) 880-6483

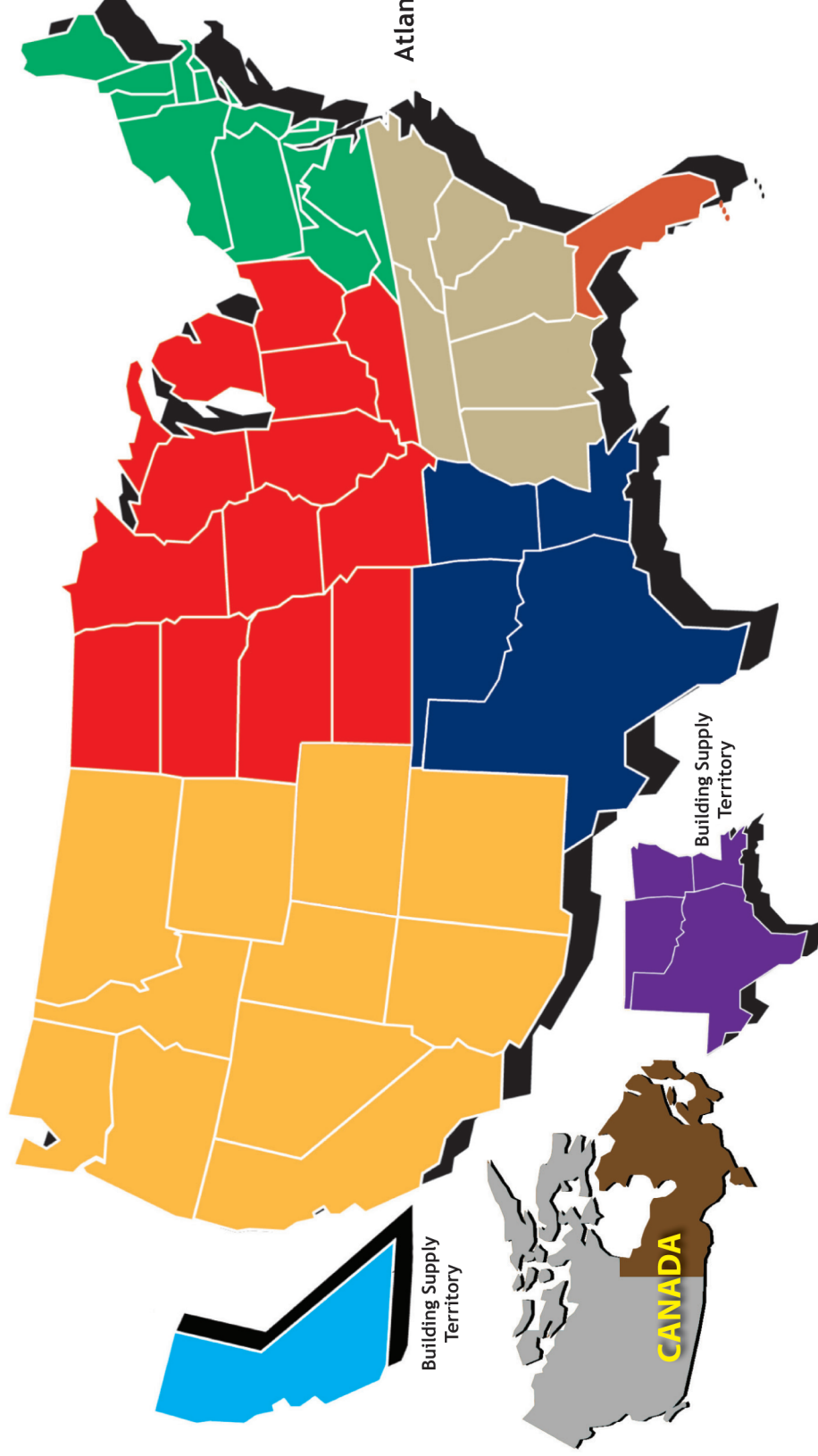
RWB Sales
Ph. (770) 516-5339
Fax (770) 516-5233

Byrd/ Moreton & Assoc.
Ph. (407) 880-6480
Fax (407) 880-6483

Beacon Hill Sales
Ph. (905) 729-8900

Mike Austin
Ph. (800) 382-5430
Fax (800) 356-3602

Spearhead Marketing Inc.
Ph. (604) 539-7280
Fax (604) 909-2687



STEGMEIER LLC LOCATIONS / SHIPPING POINTS

- 1111 West Harris Road, Arlington, Texas 76001 Ph. (800) 382-5430 Fax (800) 356-3602
- 201 Sunpac Avenue, Henderson, Nevada 89011 Ph. (888) 522-4351 Fax (888) 224-7482
- 126 Semoran Commerce Place, Apopka, Florida 32703 Ph. (800) 382-5430 Fax (800) 356-3602
- 6085 Duquesne Drive, Atlanta, Georgia 30336 Ph. (800) 382-5430 Fax (800) 356-3602
- 1675 Overland Court, West Sacramento, California 95691 Ph. (888) 522-4351 Fax (888) 224-7482

TABLE OF CONTENTS

GUNITE/ FIBERGLASS CANTILEVER FORMS

- 2 Regular
- 12 Regular w/ Plumb Strip
- 2 Deep Regular
- 2 Capstone
- 12 Capstone w/ Plumb Strip
- 2 Intermediate
- 12 Intermediate w/ Plumb Strip
- 3 Sandstone Form
- 3 Commercial Form
- 3 OG Form
- 3 Classic Roman
- 4 Stamp-A-Form
- 4 Stamp-A-Form with Nail-On Ledger
- 4 Child Safety Grip Form
- 5 Child Safety Grip Tools
- 6 Fiber-Optic Regular
- 6 Fiber-Optic Capstone
- 7 Pool Cover Form
- 7 Pool Cover Form II
- 8 Pool Cover Form E

VINYL LINER CANTILEVER FORMS

- 8 Clip-Loc Regular, Capstone and Intermediate with Liner Track
- 9 Clip-Loc Regular, Capstone and Intermediate with Insert Liner Track
- 9 Perim-A-Lite Regular
- 10 Perim-A-Lite Capstone
- 10 Liner Pool Cover Form
- 41 Cantilever Step Kit
- 11 Liner Track, Dual Aluminum Liner Track, Aluminum Liner Track & Insert Liner Track

FORMING & FINISHING ITEMS

- 12 Plumb Strip
- 12 Removable Plumb Strip
- 13 Preformed Corners
- 13 Step Ledger
- 14 Foam Profile Edging Tools
- 14 Stainless Steel Trowels
- 15 Total Edge Tools
- 15 Tile Ledger Board
- 16 Slip-N-Join Lumber
- 17 Dash Brush
- 17 Specialty Trowels
- 18 Chamfer Clips
- 19 Wall Cap Forms
- 20 Countertop Forms
- 21 Backsplash Forms
- 22 Step Liners

JOINTS

- 23 Poli-Void
- 23 Boss Joint Sealant
- 24 Frontier Deck Joint, Rigid Deck Joint
- 24 Rigid Hold
- 25 Nose Caps

DRAINS

- 25 Deck Drain
- 26 Channel Drain
- 26 Super Drain
- 27 Frontier Deck Drain
- 27 Treadmaster Commercial
- 28 Flowmaster Commercial Deck Drain
- 28 Flowmaster A/T Drain
- 29 Flowmaster 3 Commercial Deck Drain
- 29 Flowmaster 3 A/T Drain
- 30 Adjustable Height Paver Drain
- 31 Mini Paver Drain
- 32-33 Drain Fittings
- 34 Drain Extender Kit

RENOVATION PRODUCTS

- 34 Re-Cover Drain
- 35 Re-Cover Drain II
- 35 Re-Cover Super Drain
- 35 Re-Cover Channel Drain
- 36 Renovation Forms
- 36 Resin Rock, Deep Resin Rock
- 37 Renovation Fiber-Optic
- 37 Renovation Tile Strip
- 38 Re-Cover Strip, Re-Cover Strip II
- 39 Deck Renew
- 39 Touch-Up Kit

ADDITIONAL ITEMS

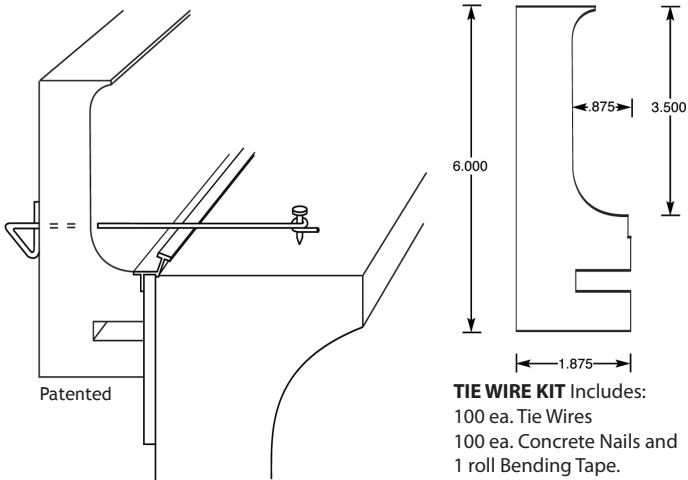
- 40 Frontier Bonding Agent
- 40 Frontier Desert Seal
- 41 Fiber-Optic II Receiver
- 42-45 Additional Items
- 44 S-Clip For Above-Ground Pools
- 46-47 Tie-Wire System Instructions
- 48-49 Urethane Mastic System Instructions
- 50 Quick Reference
- 51 Quick Reference
- 52 Quick Reference
- 53 Frontier Desert Deck

NEW PRODUCT

Texturit Form and Liner on Back Cover

Regular

Poured in Place "Cantilever Forms" (Guniting/Fiberglass)



TIE WIRE KIT Includes:
100 ea. Tie Wires
100 ea. Concrete Nails and
1 roll Bending Tape.

PART#	DESCRIPTION
1CF000	Regular Form Only
1CF011	Regular Form - No Tie Wire - White Tile Strip
1CF111	Regular Form - Tie Wire - No Tile Strip
1CF112	Regular Form - Tie Wire - White Tile Strip
1CF122	Regular Form - Tie Wire - Grey Tile Strip
1CF132	Regular Form - Tie Wire - Tan Tile Strip
1CF162	Regular Form - Tie Wire - Black Tile Strip

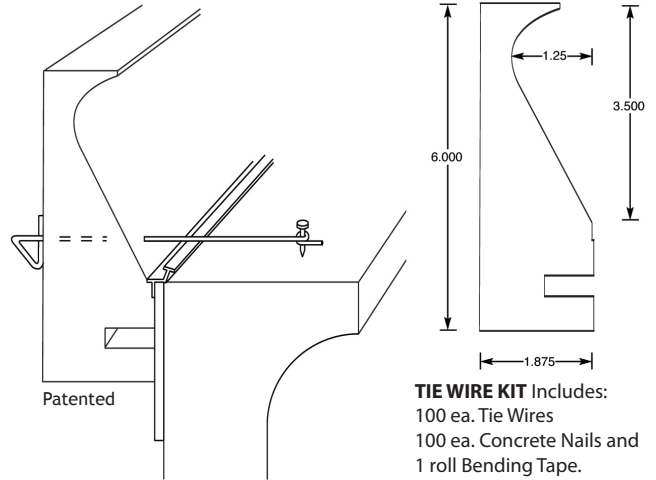
Available with Plumb Strip see page # 12

(For Fiberglass Pools)

Packaged 112' per carton

Capstone

Poured in Place "Cantilever Forms" (Guniting/Fiberglass)



TIE WIRE KIT Includes:
100 ea. Tie Wires
100 ea. Concrete Nails and
1 roll Bending Tape.

PART#	DESCRIPTION
9CF000	Capstone Form Only
9CF011	Capstone Form - No Tie Wire - White Tile Strip
9CF111	Capstone Form - Tie Wire - No Tile Strip
9CF112	Capstone Form - Tie Wire - White Tile Strip
9CF122	Capstone Form - Tie Wire - Grey Tile Strip
9CF132	Capstone Form - Tie Wire - Tan Tile Strip
9CF162	Capstone Form - Tie Wire - Black Tile Strip

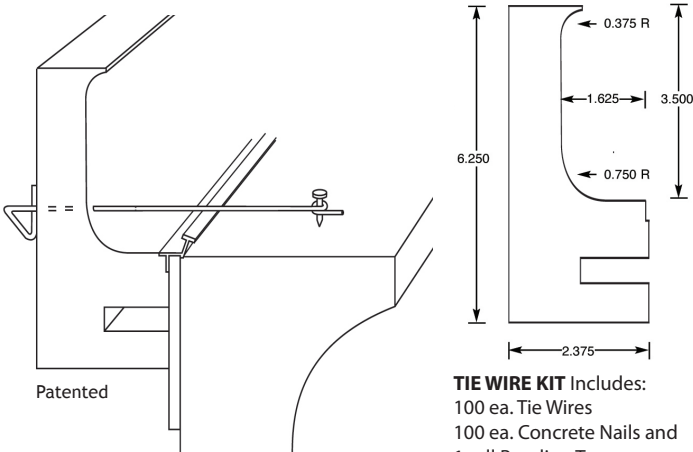
Available with Plumb Strip see page # 12

(For Fiberglass Pools)

Packaged 112' per carton

Deep Regular

Poured in Place "Cantilever Forms" (Guniting)



TIE WIRE KIT Includes:
100 ea. Tie Wires
100 ea. Concrete Nails and
1 roll Bending Tape.

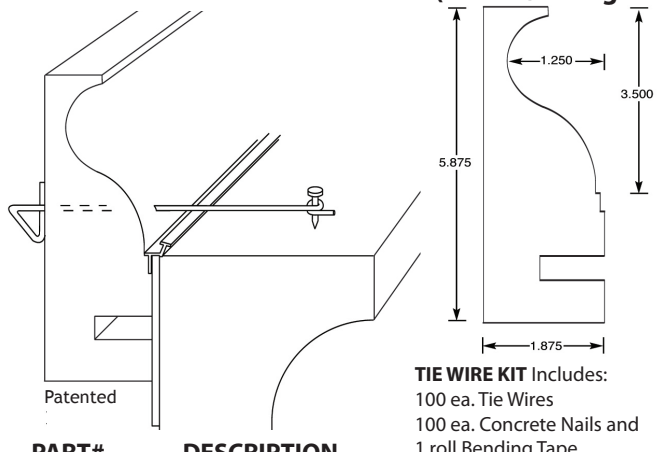
PART#	DESCRIPTION
12CF000	Deep Regular Form Only
12CF011	Deep Regular Form - No Tie Wire - White Tile Strip
*12CF111	Deep Regular Form - Tie Wire - No Tile Strip
*12CF112	Deep Regular Form - Tie Wire - White Tile Strip
*12CF122	Deep Regular Form - Tie Wire - Grey Tile Strip
*12CF132	Deep Regular Form - Tie Wire - Tan Tile Strip
*12CF162	Deep Regular Form - Tie Wire - Black Tile Strip

*(Includes 2 Tie Wire Side Kits)

Packaged 112' per carton

Intermediate

Poured in Place "Cantilever Forms" (Guniting/Fiberglass)



TIE WIRE KIT Includes:
100 ea. Tie Wires
100 ea. Concrete Nails and
1 roll Bending Tape.

PART#	DESCRIPTION
2CF000	Intermediate Form Only
2CF011	Intermediate Form - No Tie Wire - White Tile Strip
2CF111	Intermediate Form - Tie Wire - No Tile Strip
2CF112	Intermediate Form - Tie Wire - White Tile Strip
2CF122	Intermediate Form - Tie Wire - Grey Tile Strip
2CF132	Intermediate Form - Tie Wire - Tan Tile Strip
2CF162	Intermediate Form - Tie Wire - Black Tile Strip

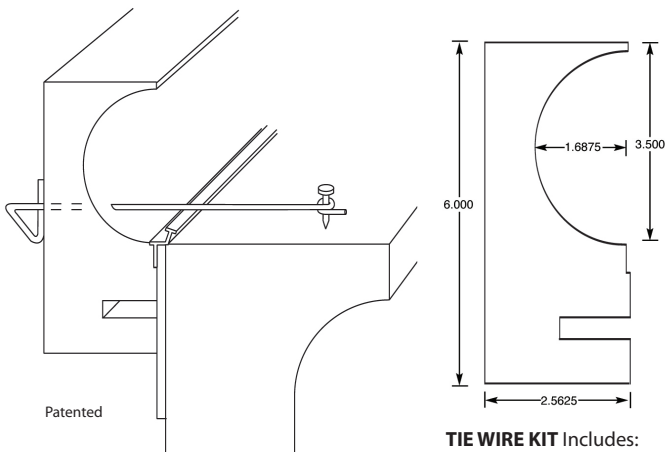
Available with Plumb Strip see page # 12

(For Fiberglass Pools)

Packaged 112' per carton

Sandstone Form

Poured in Place "Cantilever Forms" (Gunite)



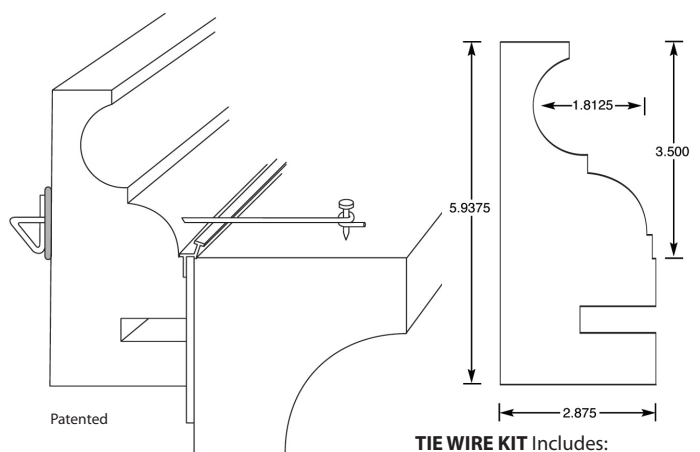
TIE WIRE KIT Includes:
100 ea. Tie Wires
100 ea. Concrete Nails and
1 roll Bending Tape.

PART#	DESCRIPTION
17CF000	Sandstone Form Only
17CF011	Sandstone Form - No Tie Wire - White Tile Strip
*17CF111	Sandstone Form - Tie Wire - No Tile Strip
*17CF112	Sandstone Form - Tie Wire - White Tile Strip
*17CF122	Sandstone Form - Tie Wire - Grey Tile Strip
*17CF132	Sandstone Form - Tie Wire - Tan Tile Strip
*17CF162	Sandstone Form - Tie Wire - Black Tile Strip

*(Includes 2 Tie Wire Side Kits)
Packaged 80' per carton

OG Form

Poured in Place "Cantilever Forms" (Gunite)



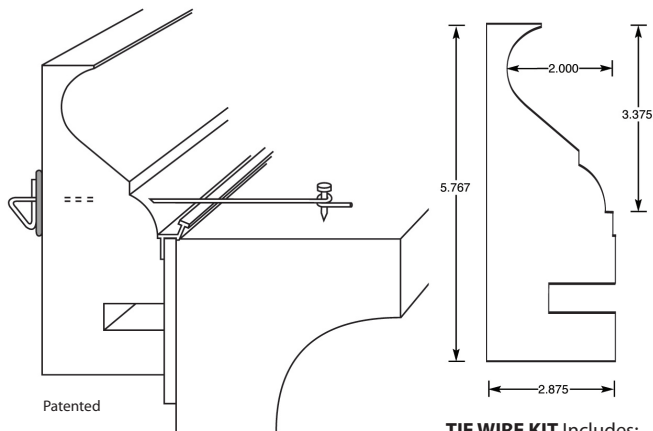
TIE WIRE KIT Includes:
100 ea. Tie Wires
100 ea. Concrete Nails and
1 roll Bending Tape.

PART#	DESCRIPTION
*20CF80	OG Form - Tie Wire - White Tile Strip

*(Includes 2 Tie Wire Side Kits)
Packaged 80' per carton

Commercial Form

Poured in Place "Cantilever Forms" (Gunite)



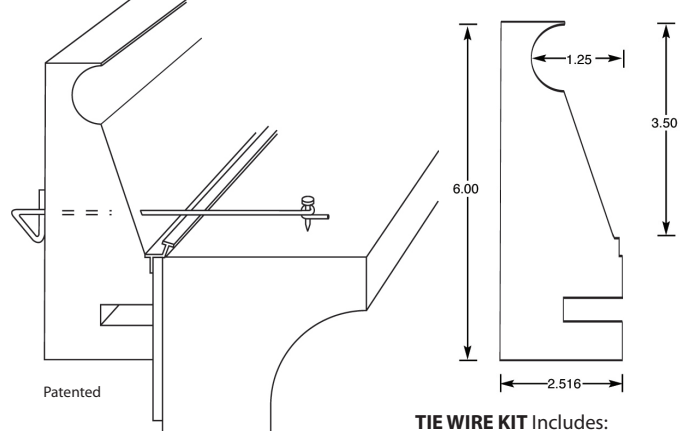
TIE WIRE KIT Includes:
100 ea. Tie Wires
100 ea. Concrete Nails and
1 roll Bending Tape.

PART#	DESCRIPTION
3CF000	Commercial Form Only
*3CF111	Commercial Form - Tie Wire - No Tile Strip
*3CF80	Commercial Form - Tie Wire - White Tile Strip
*3CF802	Commercial Form - Tie Wire - Tan Tile Strip
*3CF803	Commercial Form - Tie Wire - Black Tile Strip
*3CF805	Commercial Form - Tie Wire - Grey Tile Strip

*(Includes 2 Tie Wire Side Kits)
Packaged 80' per carton

Classic Roman

Poured in Place "Cantilever Forms" (Gunite)



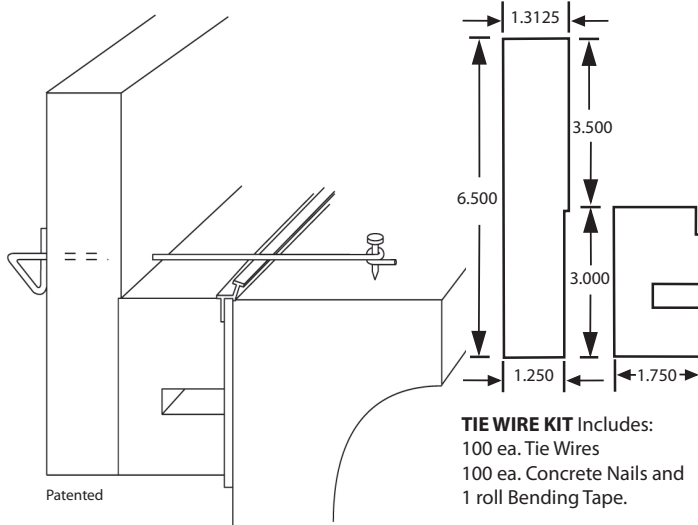
TIE WIRE KIT Includes:
100 ea. Tie Wires
100 ea. Concrete Nails and
1 roll Bending Tape.

PART#	DESCRIPTION
21CF000	Classic Roman Form Only
21CF011	Classic Roman Form - No Tie Wire - White Tile Strip
21CF111	Classic Roman Form - Tie Wire - No Tile Strip
21CF112	Classic Roman Form - Tie Wire - White Tile Strip
21CF122	Classic Roman Form - Tie Wire - Grey Tile Strip
21CF132	Classic Roman Form - Tie Wire - Tan Tile Strip
21CF162	Classic Roman Form - Tie Wire - Black Tile Strip

Packaged 112' per carton

Stamp-A-Form

Poured in Place "Cantilever Forms" (Gunite)



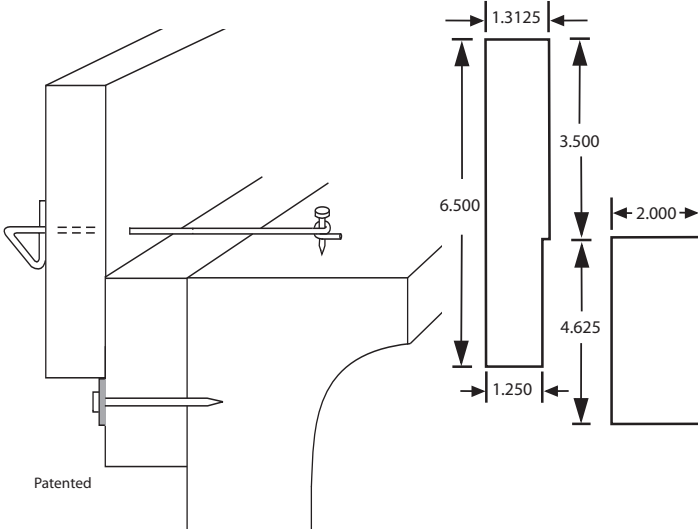
PART#	DESCRIPTION
10CF112	Stamp-A-Form - Tie Wire - White Tile Strip
10CF122	Stamp-A-Form - Tie Wire - Grey Tile Strip
10CF132	Stamp-A-Form - Tie Wire - Tan Tile Strip
10CF162	Stamp-A-Form - Tie Wire - Black Tile Strip

This form is designed to be used when pouring stamped concrete. The two piece design allows the contractor to leave the ledger portion in place while removing the form early enough to stamp the face.

Packaged 96' per Carton

Stamp-A-Form With Nail-On Ledger

Poured in Place "Cantilever Forms" (Gunite)

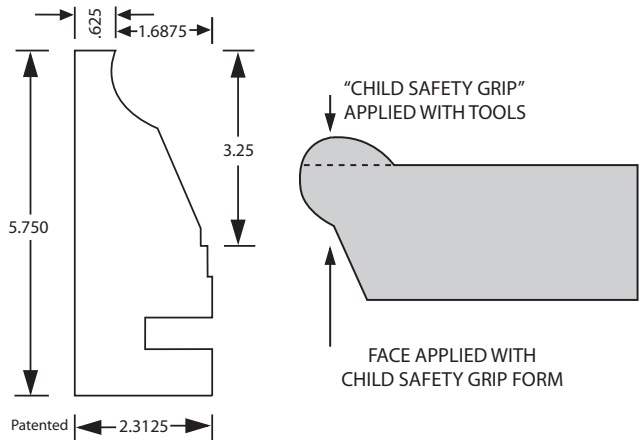


PART#	DESCRIPTION
13CF112	Stamp-A-Form With Nail-On Ledger - Tie Wire (Carton includes 100 each 2" concrete nails, 100 each 2 1/2" concrete nails and 100 each Fender Washers).

This form is designed for Stamped Concrete Applications before the tile is applied.

Packaged 112' per Carton

Child Safety Grip Form

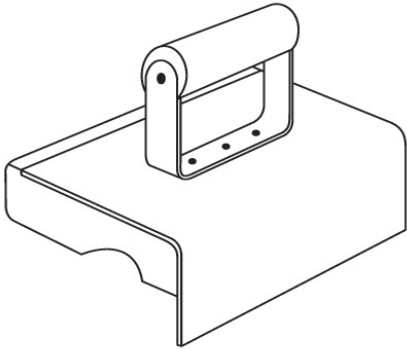


Child Safety Grip is a unique, patented, Cantilever profile which meets or exceeds the commercial specifications for swimming pool edges and waterparks. This design features a child-size handhold and incorporates a raised Cantilever profile. Stegmeier LLC has combined a proven deck form technology with a slip-form method in creating this child-friendly handhold. Installation begins by attaching the foam forms to the tile using the tie wire method. This procedure is familiar to most swimming pool deck contractors. Concrete is placed and vibrated as necessary to ensure against voids or honeycombing. The additional concrete is then applied with Hopper Applicator. This tool "slip-forms" the remaining concrete into place. After the forms are removed, tooling is accomplished by using specialized finishing tools. These tools come as a set and meet requirements for inside and outside 90-degree corners and tight radius applications. The Child Safety Grip profile offers a strikingly classic symmetry that is a compliment to any swimming pool design. Whether your next application is residential or commercial, Child Safety Grip is one of the safest, most secure handholds available to the swimming pool industry.

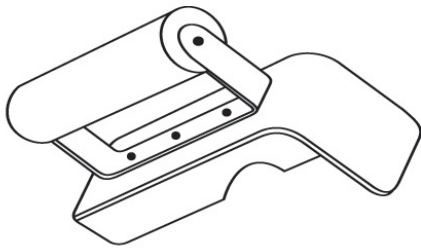
PART#	DESCRIPTION
CSG000	Child Safety Grip Form Only
CSG011	Child Safety Grip Form - No Tie Wire - White Tile Strip
CSG111	Child Safety Grip Form - Tie Wire - No Tile Strip
CSG112	Child Safety Grip Form - Tie Wire - White Tile Strip
CSG122	Child Safety Grip Form - Tie Wire - Grey Tile Strip
CSG132	Child Safety Grip Form - Tie Wire - Tan Tile Strip
CSG162	Child Safety Grip Form - Tie Wire - Black Tile Strip

Packaged 112' per Carton

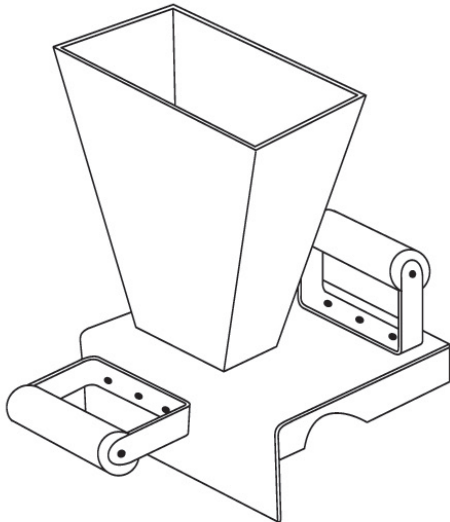
Child Safety Grip Tools



Profile Edging Tools
Part # CSG1EDG

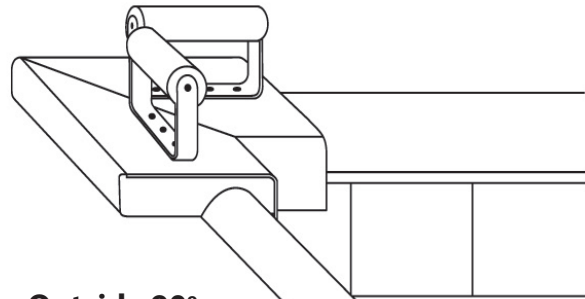


Radius Tool
Part # CSG1CE



Hopper Applicator Tool
Large Part # CSG1LH
Small Part # CSG1SM

Inside 90° Corner Tools
Part # CSG190-I



**Outside 90°
Corner Tools**
Part # CSG190-O



Complete Set Excluding Desert Seal
Part # CSG1000







Frontier Desert Seal
Part # DESEAL

Fiber-Optic Regular

Poured in Place Perimeter Fiber-Optic Form (Gunitite or Fiberglass)

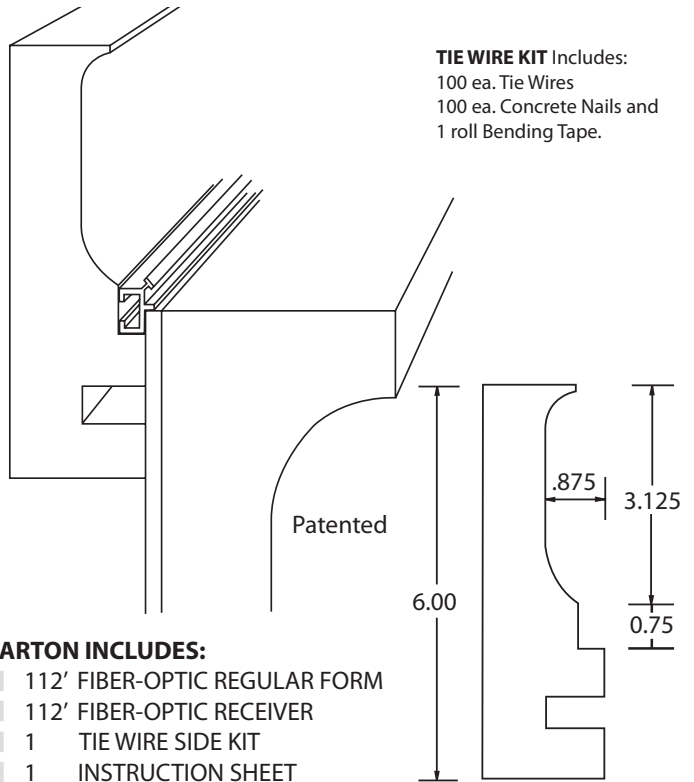
- Quick-set system for installing perimeter Fiber-Optic Lighting.
- The Fiber-Optic Receiver is set with the Cantilever form.
- When the Cantilever form is removed, the perimeter Fiber-Optic Receiver remains in place.

	Part #	
	17FS112	For Fiberstars FSSB, FSSB-CABL-42 & Supervision SV23
	17SV112	For Supervision SV32, SV42, Lumenyte, Fiberstars ELD, BPAK-50, Fiberworks FW 25, FW 50
	17AP112	For Fiberworks Ultra Glow 25, 50, 75

(FLEX TRACK IS ALSO AVAILABLE)

- FLEX For Flex-Track add this extension to the back of the part number.





Packaged 112' per Carton



Fiber-Optic Capstone

Poured in Place Perimeter Fiber-Optic Form (Gunitite or Fiberglass)

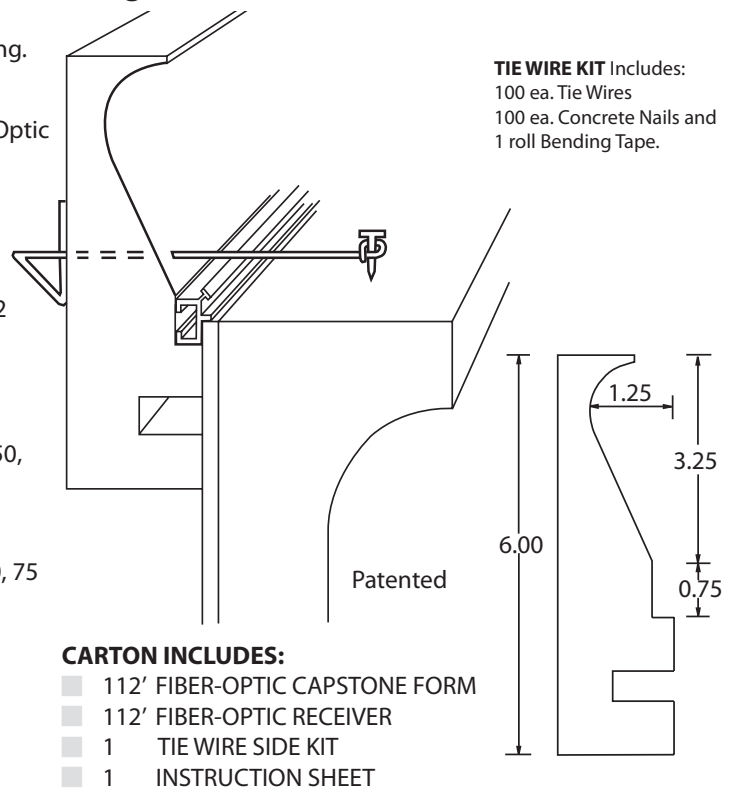
- Quick-set system for installing perimeter Fiber-Optic Lighting.
- The Fiber-Optic Receiver is set with the Cantilever form.
- When the Cantilever form is removed, the perimeter Fiber-Optic Receiver remains in place.

	Part #	
	7FS112	For Fiberstars FSSB, FSSB-CABL-42 & Supervision SV23
	77SV112	For Supervision SV32, SV42, Lumenyte, Fiberstars ELD, BPAK-50, Fiberworks FW 25, FW 50
	77AP112	For Fiberworks Ultra Glow 25, 50, 75

(FLEX TRACK IS ALSO AVAILABLE)

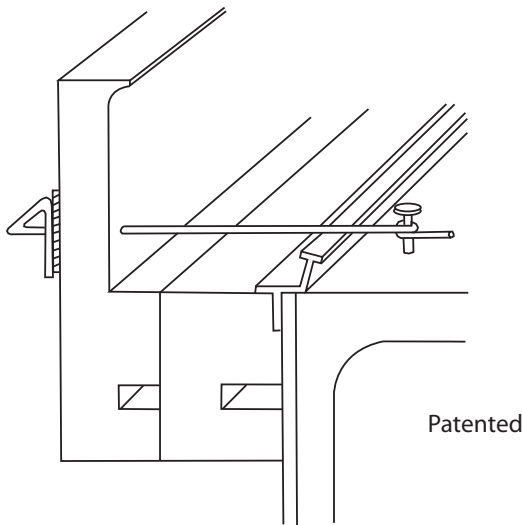
- FLEX For Flex-Track add this extension to the back of the part number.

Packaged 112' per Carton



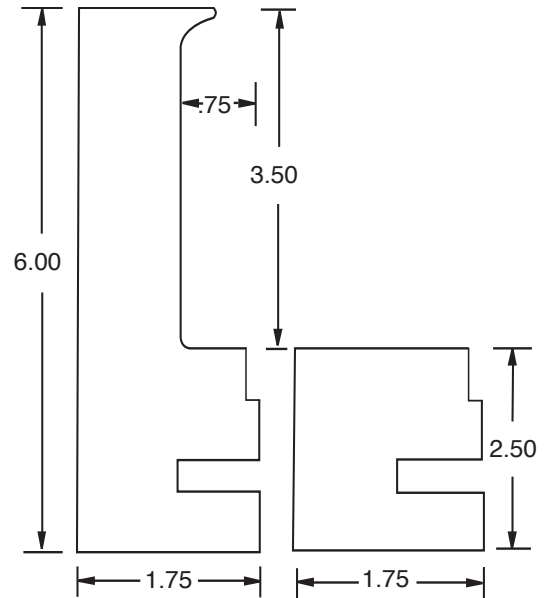
Pool Cover Form

Poured in Place Pool Cover Cantilever Form (**Gunite**)



PART#	DESCRIPTION
* 4CF112	Pool Cover Form - Tie Wire - White Tile Strip
* 4CF122	Pool Cover Form - Tie Wire - Grey Tile Strip
* 4CF132	Pool Cover Form - Tie Wire - Tan Tile Strip
* 4CF162	Pool Cover Form - Tie Wire - Black Tile Strip

* (Includes 2 Tie Wire Side Kits)

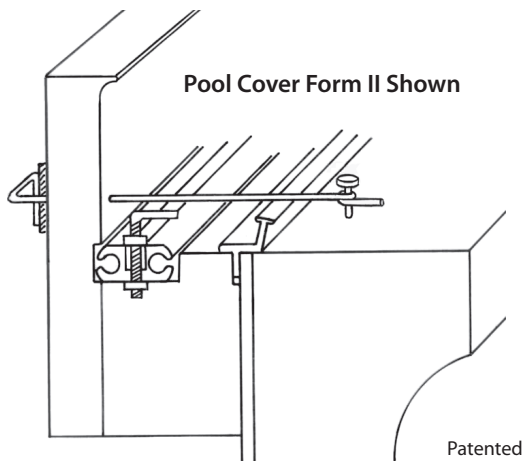


This Form is used when pouring the deck prior to installing the automatic pool cover track. The automatic pool cover track is attached to the flat surface under the concrete cantilever edge.

Packaged 104' per Carton

Pool Cover Form II

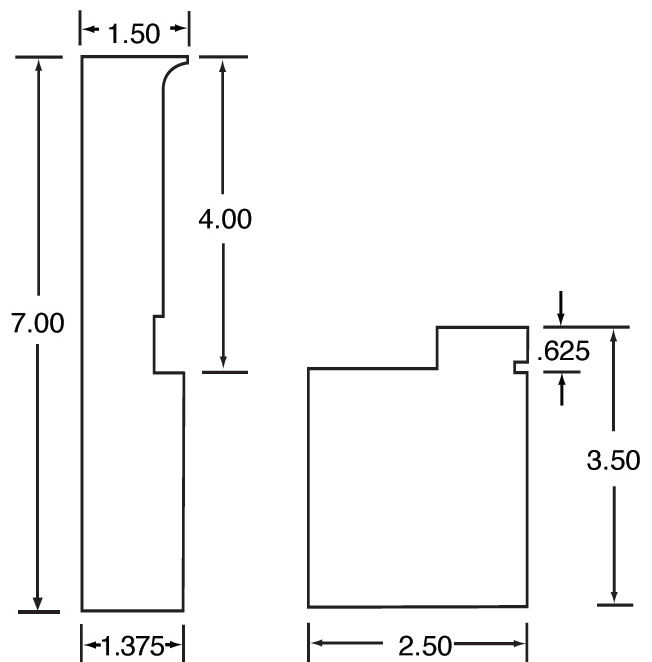
Poured in Place Pool Cover Form (**Gunite**)



PART#	DESCRIPTION
*4PC104	Pool Cover Form II
	Tie Wire - White Tile Strip
*49PC104	Pool Cover Form II Capstone
	Tie Wire - White Tile Strip
*41PC104	Pool Cover Form II Regular
	Tie Wire - White Tile Strip

CARTON INCLUDES: 104' Pool Cover Forms
Stainless steel hardware kit and 90 degree preformed
Gunite Corner Kit.

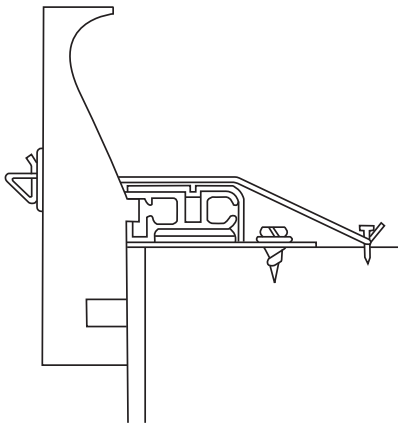
* (Includes 2 Tie Wire Side Kits)



This product saves time by mounting the track the same day as the pour and is an extremely strong attachment because the anchors are cast into the concrete.

Pool Cover Form E

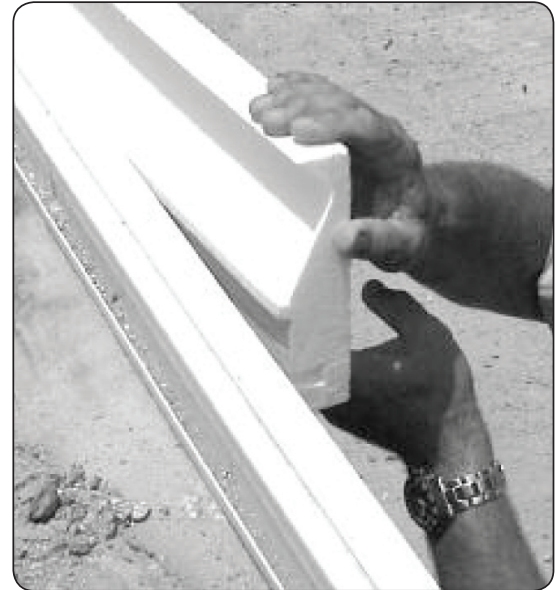
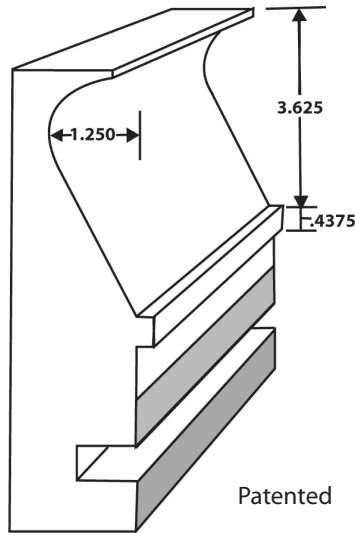
Poured in Place Pool Cover Form for Pools having Encapsulated Tracks (**Gunite or Liner**)



PART# 4PCEL

CARTON INCLUDES:

- 104' POOL COVER E FORMS
- 125 TIE WIRES
- 125 CONCRETE NAILS
- 125 SELF-TAPPING SCREWS
- 125 WASHERS
- 1 ROLL OF BENDING TAPE
- 1 INSTRUCTION SHEET



Pool Cover Form E provides a cantilever edge on swimming pools having encapsulated automatic pool covers. The foam protrusion above the double faced tape is designed to key into the aluminum channel, keeping it clean during the pour and establishing elevation.

Clip-Loc Regular, Capstone and Intermediate with Liner Track

Poured in Place Cantilever Form (**Liner Pools**)

The Clip-Loc Form attaches to the pool wall panel with double-faced tape and plastic clips (embedded in the foam). The clips snap into the liner track at 6 inch intervals and provide a positive and secure locking device.

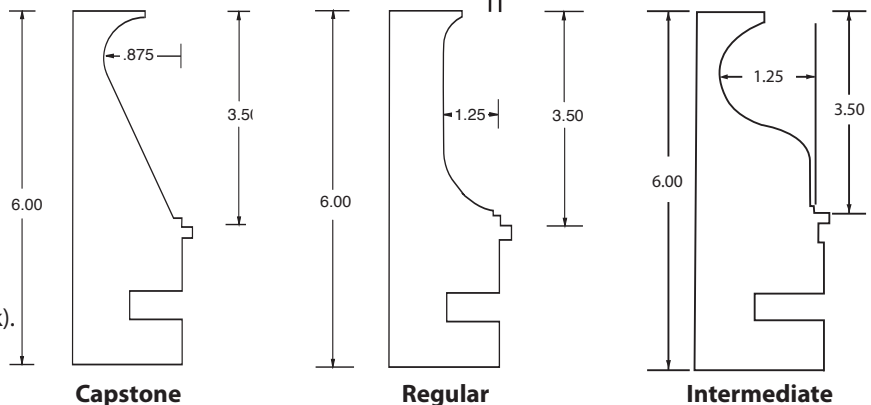
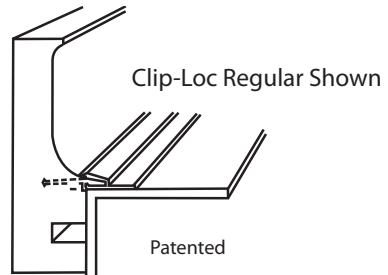
PART#	DESCRIPTION
8CF1000	CAPSTONE
8CF1000NT	WITHOUT TRACK
8CF1000FT	WITH FLEX TRACK

PART#	DESCRIPTION
8CF1001	REGULAR
8CF1001NT	WITHOUT TRACK
8CF1001FT	WITH FLEX TRACK

PART#	DESCRIPTION
8CF1002	INTERMEDIATE
8CF1002NT	WITHOUT TRACK
8CF1002FT	WITH FLEX TRACK

CARTON INCLUDES:

- 112' CLIP-LOC FORMS
- 112' LINER TRACK
- 100 SELF-TAPPING SCREWS
- 1 ROLL BENDING TAPE
- 1 INSTRUCTION SHEET



(Aluminum Liner Track is also available)
Just order "WITHOUT TRACK" and order 8CF950 for Aluminum Liner Track (Straight) or 8CF955 for Aluminum Liner Track (Flex-Track).

Clip-Loc Regular, Capstone and Intermediate with Insert Liner Track

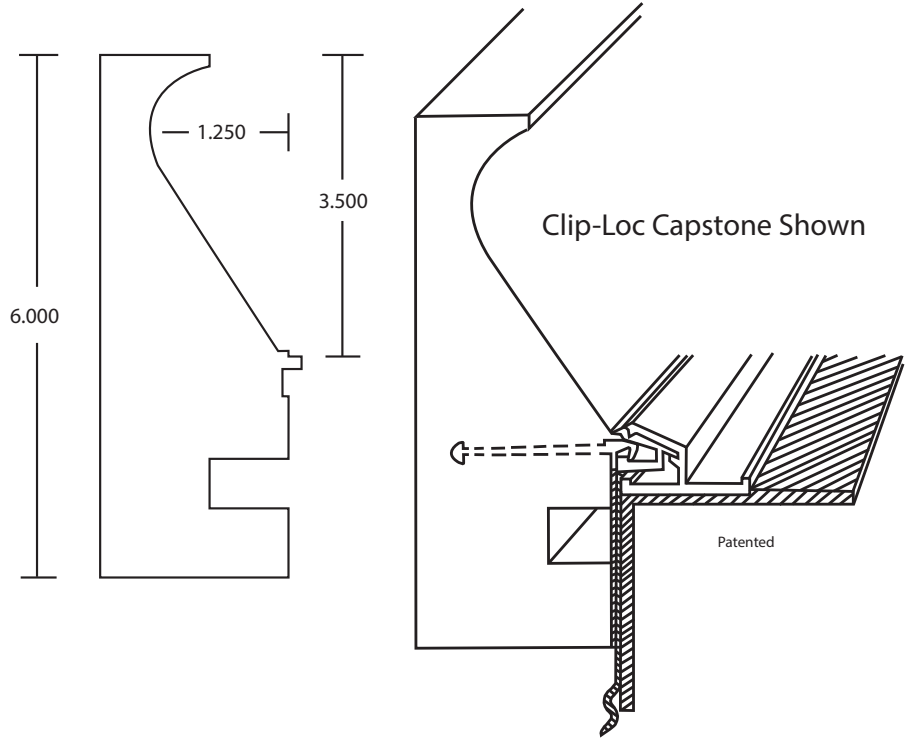
Poured in Place Cantilever Form for Liner Pools (**Liner Pool**)

This Clip-Loc method form is designed to be used when it is necessary to fill the liner pool with water prior to pouring the cantilever deck. The liner track (provided) includes a liner lock insert that is used temporarily in securing the foam form.

CARTON INCLUDES:

- 112' CLIP-LOC FORMS
- 112' LINER LOCK TRACK
- 112' LINER LOCK INSERT
- 112' FILLER STRIP WHITE
- 100 SELF-TAPPING SCREWS
- 1 ROLL OF 2" NO-GUM TAPE
- 1 ROLL OF BENDING TAPE
- 20' 1/2" BACKER ROD
- 1 INSTRUCTION SHEET

PART#	DESCRIPTION
8CF2000	CAPSTONE
8CF2000FT	CAPSTONE (WITH FLEX TRACK)
PART#	DESCRIPTION
8CF2001	REGULAR
8CF2001FT	REGULAR (WITH FLEX TRACK)
PART#	DESCRIPTION
8CF2002	INTERMEDIATE
8CF2002FT	INTERMEDIATE (WITH FLEX TRACK)



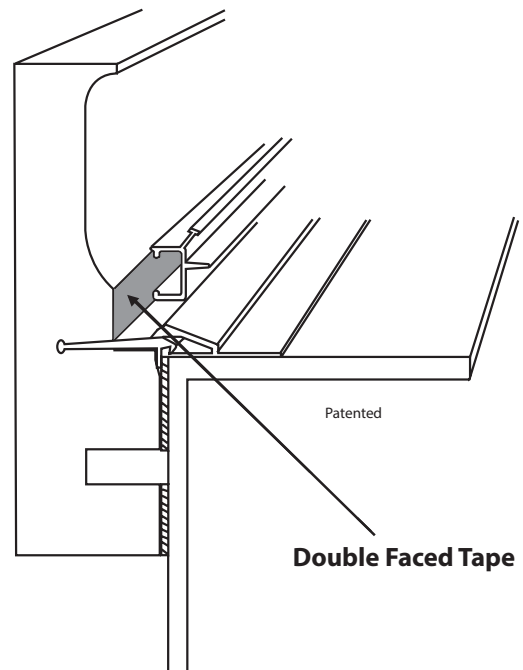
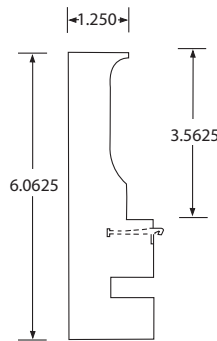
Perim-A-Lite Regular




Poured in Place Cantilever Form with Fiber-Optic Application (**Liner Pool**)

Perim-A-Lite Regular is a Clip-Loc method form with a Fiber-Optic application. The Fiber-Optic Channel is attached to the inside of the form with double faced tape prior to the pour and is permanently secured into the cantilever profile.

CARTON INCLUDES:

- 112' PERIM-A-LITE FORM
- 112' LINER TRACK
- 112' FIBER-OPTIC RECEIVER
(FLEX TRACK IS ALSO AVAILABLE)
- 14 2" FIBER-OPTIC INSERTS
- 1 INSTRUCTION SHEET
(Aluminum Liner Track is also available)



- | | | |
|---|---------------|--|
|  | Part # | |
| | 18CF112 | For Fiberstars FSSB, FSSB-CABL-42 & Supervision SV23 |
|  | 18CF152 | For Supervision SV32, SV42, Lumenyte, Fiberstars ELD, BPAK-50, Fiberworks FW 25, FW 50 |
|  | 18CF172 | For Fiberworks Ultra Glow 25, 50, 75 |

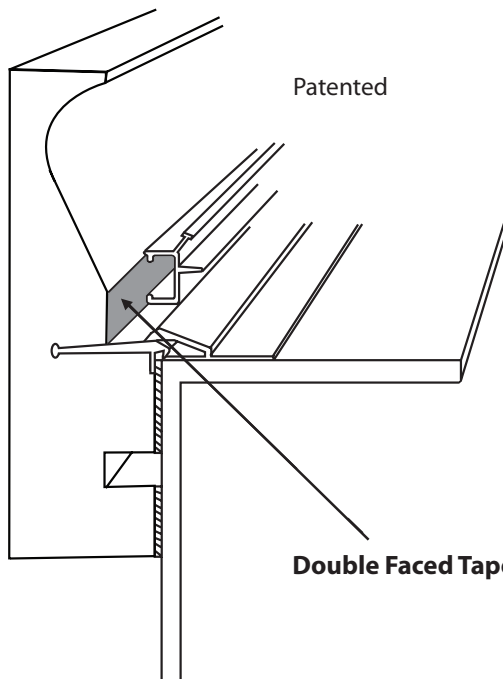
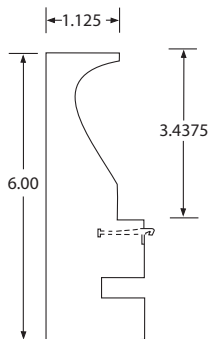
Perim-A-Lite Capstone

Poured in Place Cantilever Form with Fiber-Optic Application (**Liner Pool**)

Perim-A-Lite Capstone is a Clip-Loc method form with a fiber-optic application. The Fiber-Optic channel is attached to the inside of the form with double faced tape prior to the pour and is permanently secured into the cantilever profile.

CARTON INCLUDES:

- 112' PERIM-A-LITE FORM
- 112' LINER TRACK
- 112' FIBER-OPTIC RECEIVER
(FLEX TRACK IS ALSO AVAILABLE)
- 14 2" FIBER-OPTIC INSERTS
- 1 INSTRUCTION SHEET
(Aluminum Liner Track is also available)

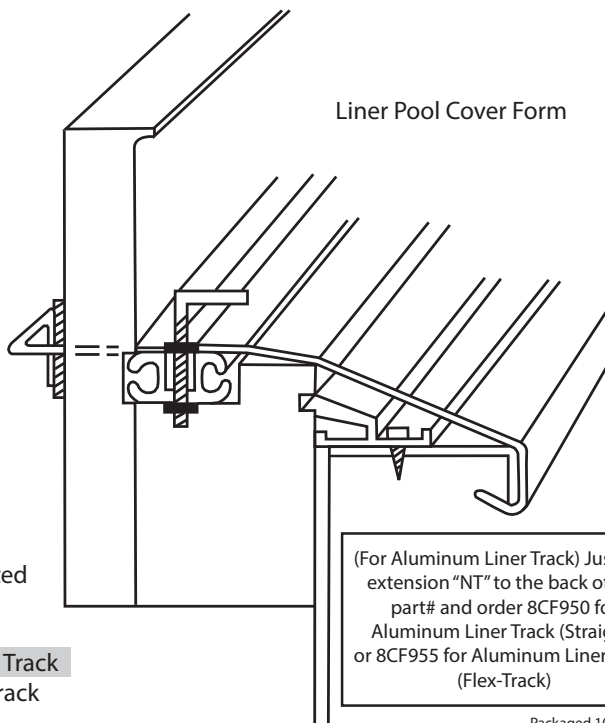
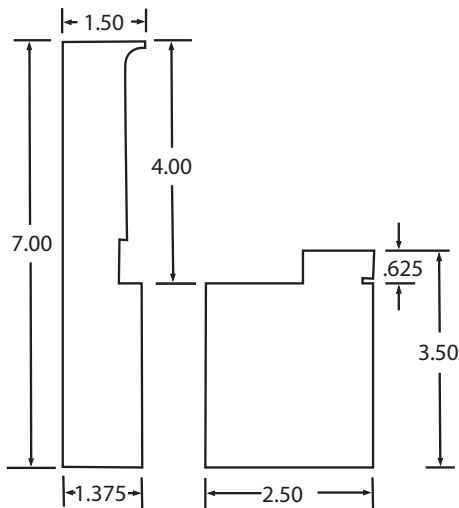


- | Part # | |
|--------|---|
| | 8CF112 For Fiberstars FSSB, FSSB-CABL-42 & Supervision SV23 |
| | 8CF152 For Supervision SV32, SV42, Lumenyte, Fiberstars ELD, BPAK-50, Fiberworks FW 25, FW 50 |
| | 8CF172 For Fiberworks Ultra Glow 25, 50, 75 |

Liner Pool Cover Form

Poured in Place Cantilever Form with Pool Cover Track Application (**Liner Pool**)

The Liner Pool Cover Form is a poured in place Cantilever Form that allows the contractor to install the pool cover track at the time of the pour.



- | PART# | DESCRIPTION |
|----------|---|
| *8PC104 | Liner Pool Cover Form - Tie Wire - Liner Track |
| *89PC104 | Liner Pool Cover Form Capstone - Tie Wire - Liner Track |
| *81PC104 | Liner Pool Cover Form Regular - Tie Wire - Liner Track |

* (Includes 2 Tie Wire Side Kits)

(For Aluminum Liner Track) Just add extension "NT" to the back of the part# and order 8CF950 for Aluminum Liner Track (Straight) or 8CF955 for Aluminum Liner Track (Flex-Track)

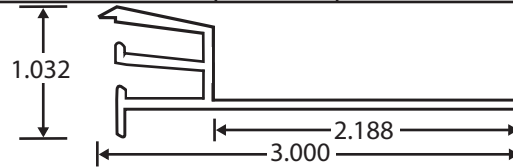
Packaged 104' per Carton

Dual Aluminum Liner Track

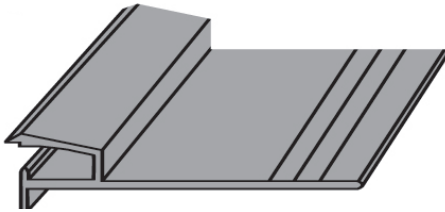


Dual Aluminum Liner Track for vinyl liner pools

DUAL ALUMINUM LINER TRACK	Straight	14 - 8 ft. pcs. per carton	8CF970
	Flex-Track	14 - 8 ft. pcs. per carton	8CF975



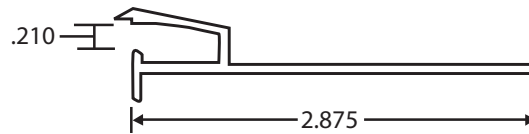
Aluminum Liner Track



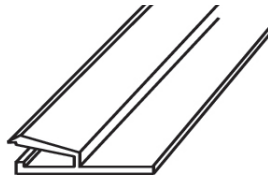
Aluminum Liner Track is extra wide, making it easy to fasten. It works well with Polymer Walls, Metal Walls and Concrete Walls.

Liner Receptor Track (Liner)

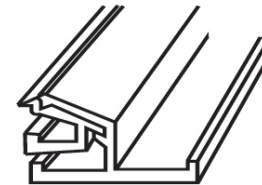
ALUMINUM LINER TRACK	Straight	14 - 8 ft. pcs. per carton	8CF950
	Flex-Track	14 - 8 ft. pcs. per carton	8CF955



Liner Track



Liner Track is long lasting, economical and works well with all Stegmeier Liner forms. Liner Track is made with 100% Virgin P.V.C. with UV inhibitors.



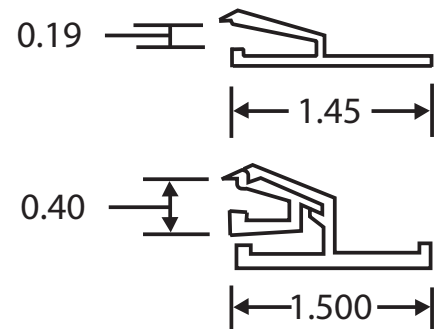
Insert Liner Track is specially designed for applications when the liner has to be in place before the concrete is poured. Insert Liner Track is made with 100% Virgin P.V.C. with UV inhibitors.

All Liner Tracks are available in Flex-Track to freely form to any pool shape.

LINER TRACK	Straight	(50) pieces per carton	8CF998
	Straight	(14) pieces per carton	8CF998-112
	Flex-Track	(25) pieces per carton	8CF999
	Flex-Track	(14) pieces per carton	8CF999-112
INSERT LINER TRACK	Straight	(28) pieces per carton	8CF900
	Straight	(14) pieces per carton	8CF900-112
	Flex-Track	(25) pieces per carton	8CF905
	Flex-Track	(14) pieces per carton	8CF905-112

pieces are 8' in length

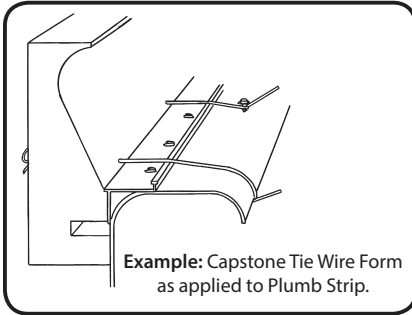
2' Corners
Liner Track (10 pieces per carton)
8CF997
Insert Liner Track (6 pieces per carton)
8CF996



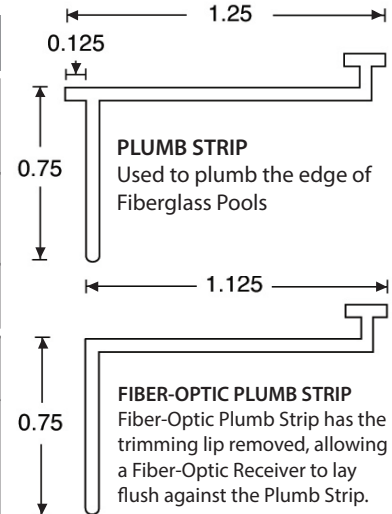
Plumb Strip

Used to Square the Top Edge of Fiberglass Pools (**Fiberglass**)

Plumb Strips are PVC corner strips used to square the top edge of a fiberglass pool (one piece) in preparation for setting a Cantilever form. Plumb Strips are installed using the self-tapping screws provided. Tighter radii may be formed by adding additional relief cuts making Plumb Strip adaptable to virtually any pool or step configuration.



PACKAGED 112' PER CARTON 8' LENGTHS, INCLUDING SELF TAPPING SCREWS		
	Straight	Flex
PLUMB STRIP WHITE	FBGL-W	FBGL-W-FLEX
FIBER-OPTIC PLUMB-STRIP WHITE	FBGL-FO	FBGL-W-FLEX-FO
PLUMB STRIP GREY	FBGL-G	FBGL-G-FLEX



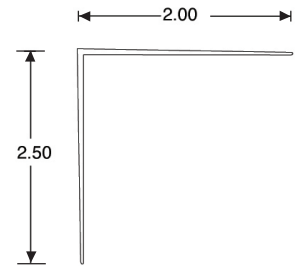
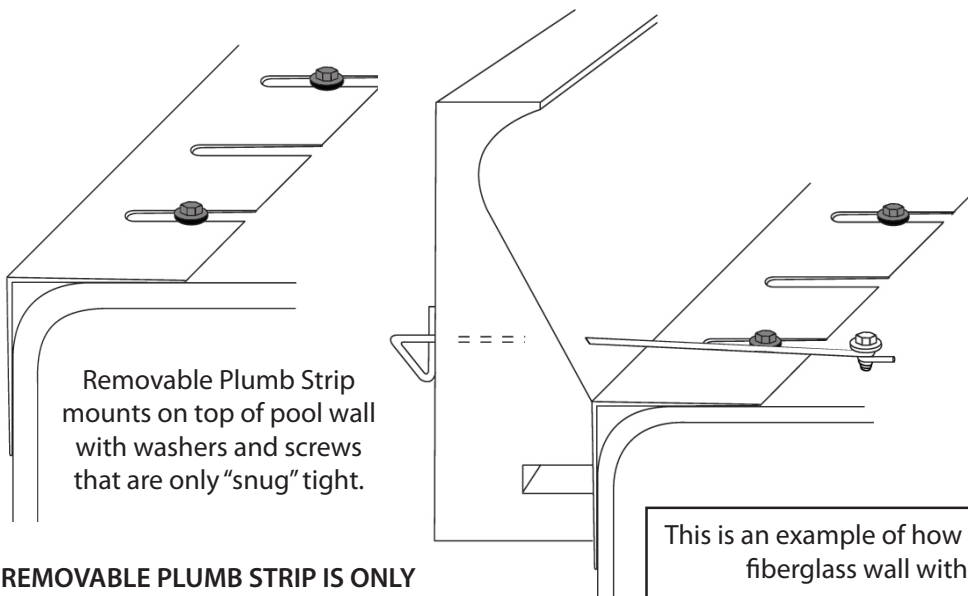
	WHITE	GREY
REGULAR TIE WIRE W/ PLUMB STRIP	1CF912	1CF922
REGULAR TIE WIRE W/ PLUMB STRIP FLEX	1CF912-FLEX	1CF922-FLEX
INTERMEDIATE TIE WIRE W/ PLUMB STRIP	2CF912	2CF922
INTERMEDIATE TIE WIRE W/ PLUMB STRIP FLEX	2CF912-FLEX	2CF922-FLEX
CAPSTONE TIE WIRE W/ PLUMB STRIP	9CF912	9CF922
CAPSTONE TIE WIRE W/ PLUMB STRIP FLEX	9CF912-FLEX	9CF922-FLEX

"FLEX" PLUMB STRIP
allows for easy application on free formed pools.

Removable Plumb Strip

Now You Can Remove the Plumb Strip when your done! (**Fiberglass**)

Removable Plumb Strips are PVC corner strips used to square the top edge of a fiberglass pool (one piece) in preparation for setting a Cantilever Form. Removable Plumb Strips are installed using double faced tape and self-tapping screws with neoprene washers. Fasten screws snug tight only, so the whole piece can be removed after the job is complete. Tighter radii may be formed by adding additional relief cuts making Removable Plumb Strip adaptable to virtually any pool or step configuration.

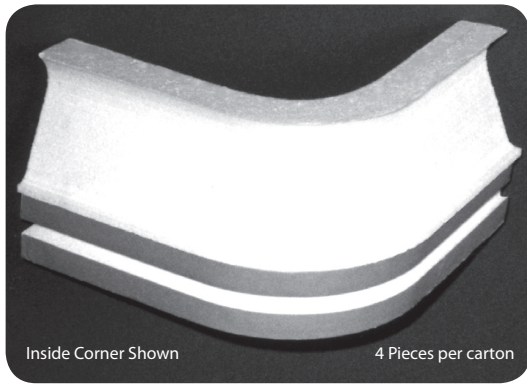


Part# RPS-W-FLEX-White

CARTON INCLUDES:

- 112' REMOVABLE PLUMB STRIP
- 100 SELF-TAPPING SCREWS
- 100 NEOPRENE WASHERS
- 1 INSTRUCTION SHEET

Preformed Corners



	6" INSIDE	6" OUTSIDE	12" INSIDE	90° INSIDE	90° OUTSIDE
REGULAR	14RC6-I	14RC6-O	14RC12-I	14RC90-I	14RC90-O
CAPSTONE	94RC6-I	94RC6-O	94RC12-I	94RC90-I	94RC90-O
SANDSTONE	174RC6-I	174RC6-O	174RC12-I	---	---
COMMERCIAL	34RC6-I	34RC6-O	34RC12-I	---	---
CLIP-LOC CAPSTONE	84RCC6-I	84RCC6-O	84RCC12-I	---	---
CLIP-LOC REGULAR	84RCR6-I	84RCR6-O	84RCR12-I	---	---
CLIP-LOC INTERMEDIATE	84RCI6-I	84RCI6-O	84RCI12-I	---	---

INSIDE	FIBERSTARS FSSB, FSSB-CABL-42 & SUPERVISION SV23	FIBERWORKS ULTRA GLOW 25, 50, 75	SUPERVISION SV32, SV42, LUMENYTE, FIBERSTARS ELD, BPAK-50, FIBERWORKS FW 25, FW 50
FIBER-OPTIC CAPSTONE (6")	7CF500	7CF800	7CF700
FIBER-OPTIC REGULAR (6")	17CF500	17CF800	17CF700
PERIM-A-LITE CAPSTONE (6")	8CF500	8CF800	8CF700
PERIM-A-LITE REGULAR (6")	18CF500	18CF800	18CF700

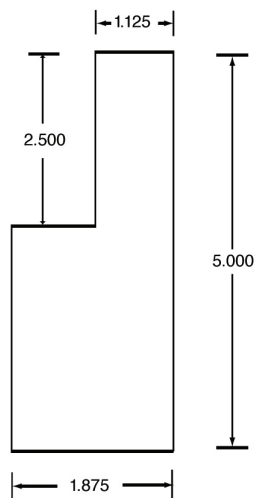
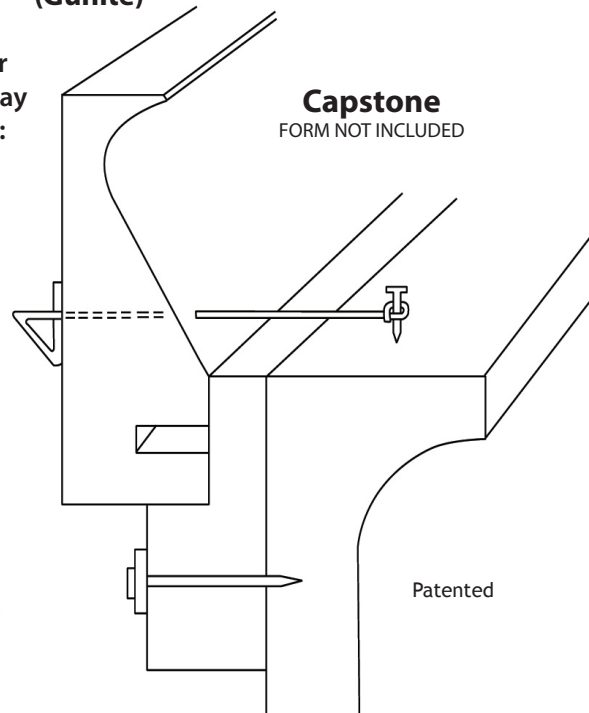
OUTSIDE	FIBERSTARS FSSB, FSSB-CABL-42 & SUPERVISION SV23	FIBERWORKS ULTRA GLOW 25, 50, 75	SUPERVISION SV32, SV42, LUMENYTE, FIBERSTARS ELD, BPAK-50, FIBERWORKS FW 25, FW 50
FIBER-OPTIC CAPSTONE (6")	7CF505	7CF805	7CF705
FIBER-OPTIC REGULAR (6")	17CF505	17CF805	17CF705
PERIM-A-LITE CAPSTONE (6")	8CF505	8CF805	8CF705
PERIM-A-LITE REGULAR (6")	18CF505	18CF805	18CF705

Step Ledger

This ledger system is used when it is necessary to pour the cantilever deck prior to setting the tile. Step ledger is nailed to the pool wall, level with the high point, and the Stegmeier pool form is attached with double faced tape. Step ledger may be used to install any of the following Stegmeier deck forms:

Capstone, Regular, Deep Regular, Intermediate, Classic Roman, Commercial, Sandstone, OG Form, Resin Rock & Deep Resin Rock.

(Guniting)

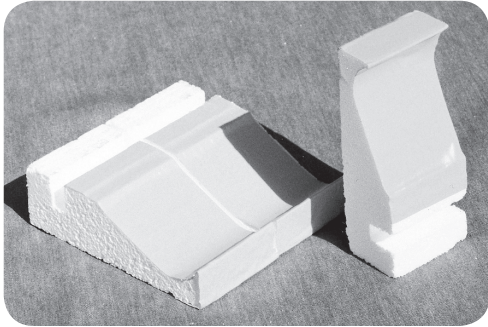


Part# 16CF112

CARTON INCLUDES:

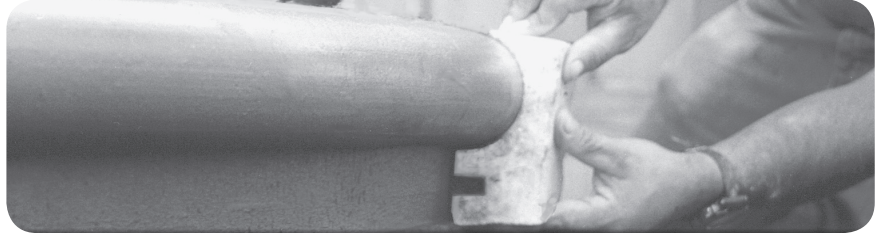
- 112' STEP LEDGER
- 100 2-1/2" CONCRETE NAILS
- 100 2" CONCRETE NAILS
- 100 FENDER WASHERS
- 1 ROLL BENDING TAPE
- 1 INSTRUCTION SHEET

Foam Profile Edging Tools



Finishing or touching-up a Cantilever edge, Step Liner or Wall Cap profile is much easier now that we offer disposable Foam Profile Edging Tools. These tools are packaged 4 per carton.

This tape-on-form design provides a clean finishing surface that flexes with the foam allowing you to finish without leaving "chatter marks".

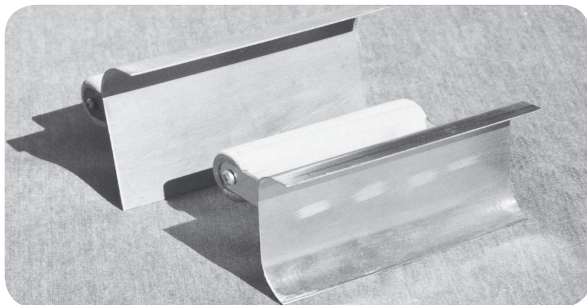


Foam Profile Edging Tools are available to fit the following shapes:

REGULAR	REG2	FIBER-OPTIC CAPSTONE	CAPFI2
CAPSTONE	CAP2	CLIP-LOC CAPSTONE	CAPCL2
INTERMEDIATE	INT2	CLIP-LOC REGULAR	REGCL2
COMMERCIAL	COM2	CLIP-LOC INTERMEDIATE	INTCL2
SANDSTONE	SAN2	PERIM-A-LITE CAPSTONE	CAPPE2
OG-FORM	OGF2	PERIM-A-LITE REGULAR	REGPE2
POOL COVER	POO2	REGULAR WALL CAP	REG2WC
POOL COVER E	POOEL2	MINI-CAP WALL CAP	MC2WC
RENOVATION CAPSTONE*	REN2	OG-400 WALL CAP	OG42WC
RENOVATION MARBLE ROUND*	RENMR2	OG-600 WALL CAP	OG62WC
RENOVATION DIAMOND CUT*	REND2	CAPSTONE WALL CAP	CAP2WC
RENOVATION OG*	RENOG2	COMMERCIAL STEP LINER	COMST2
RENOVATION REGULAR*	RENRG2	SANDSTONE STEP LINER	SANST2
DEEP REGULAR	DRG2	INTERMEDIATE STEP LINER	INTST2
DEEP RESIN ROCK	DRR2	REGULAR STEP LINER	REGST2
RESIN ROCK	RR2	CAPSTONE STEP LINER	CAPST2
STAMP-A-FORM	SAF2	SAFETY TREAD STEP LINER	SAFST2
FIBER-OPTIC REGULAR	REGFI2	OG STEP LINER	OGST2

*Used for Renovation or Concrete Counter Top Forms.

Stainless Steel Trowels

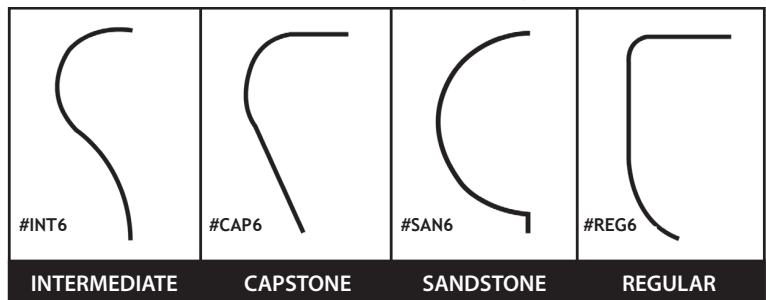


Anyone can now artistically trowel to these preformed shapes with confidence and speed. Contact your Stegmeier distributor and get a handle on it. These tools are packaged 1 per carton.

RENOVATION	PART #	WALL CAPS	PART #
CAPSTONE	REN6	OG-400	OG4WC6
DIAMOND CUT	REND6	MINI-CAP 300	MCWC6
MARBLE ROUND	RENMR6	CAPSTONE 350	CAPWC6

Get a Handle on it!

With Stainless Steel Nose Tools by Stegmeier LLC



#INT6

#CAP6

#SAN6

#REG6

INTERMEDIATE

CAPSTONE

SANDSTONE

REGULAR

STEP LINERS	PART #	POOL FORMS	PART #
INTERMEDIATE	INTST6	INTERMEDIATE	INT6
SANDSTONE	SANST6	COMMERCIAL	COM6
CAPSTONE	CAPST6	SANDSTONE	SAN6
REGULAR	REGST6	CAPSTONE	CAP6
		REGULAR	REG6

Total Edge Tools

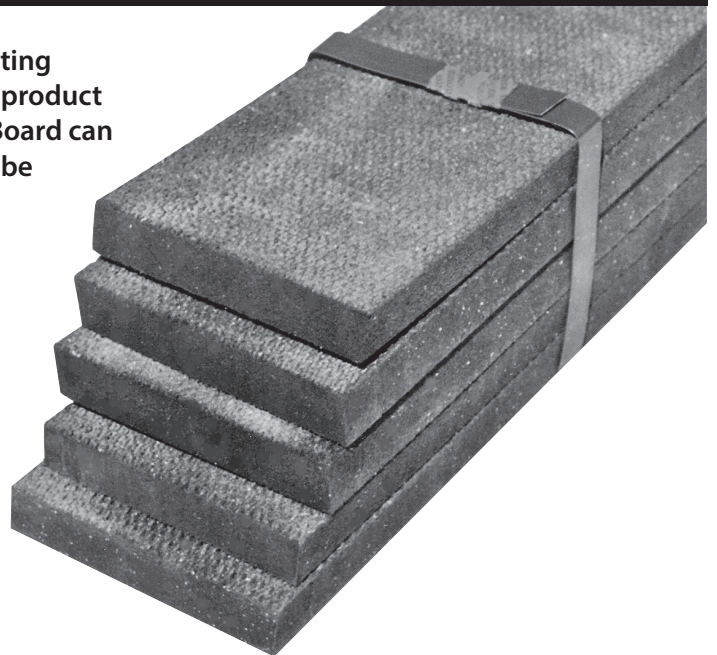


PRODUCT	PART #
RENOVATION CAPSTONE TOTAL EDGE TOOL	RENCPTTE2
REN. DIAMOND CUT TOTAL EDGE TOOL	RENDCTE2
REN. MARBLE ROUND TOTAL EDGE TOOL	RENMRTTE2
RENOVATION OG TOTAL EDGE TOOL	RENOGTE2
RENOVATION REGULAR TOTAL EDGE TOOL	RENRGTE2
REGULAR FORM TOTAL EDGE TOOL	REGTE2
CAPSTONE FORM TOTAL EDGE TOOL	CAPTE2

This unique foam edging tool not only leaves a clean crisp finish but also finishes the top edge well past the flash mark left by the concrete form. These tools are packaged 4 per carton.

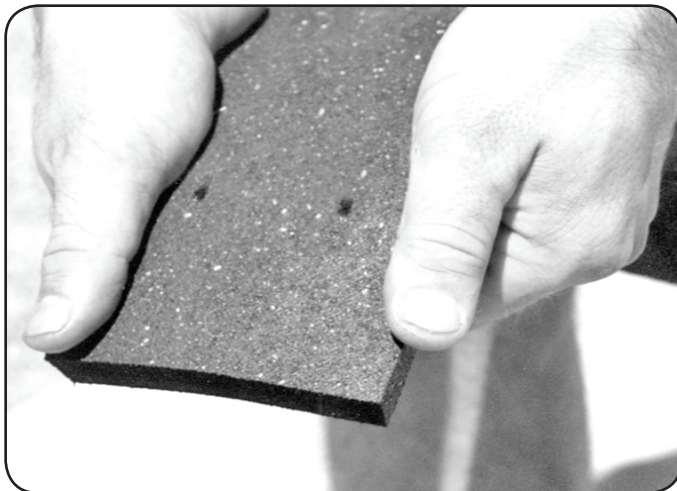
Tile Ledger Board

Tile Ledger Board is a reusable system that is used in setting perimeter tile on inground concrete pools. Because this product can be used for an entire season and more, Tile Ledger Board can be considered a "tool" rather than a material that has to be continuously reordered like other ledger materials.

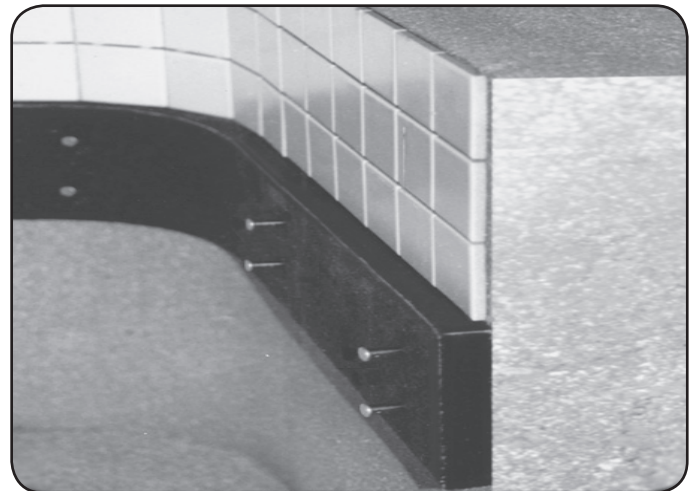


Part # TLB-001 **CARTON INCLUDES**
 ■ Packaged 40' per carton
 (Size: 1" x 4" x 4')

- REUSABLE
- NAIL HOLES (pre-drilled)
- FLEXIBLE YET RIGID

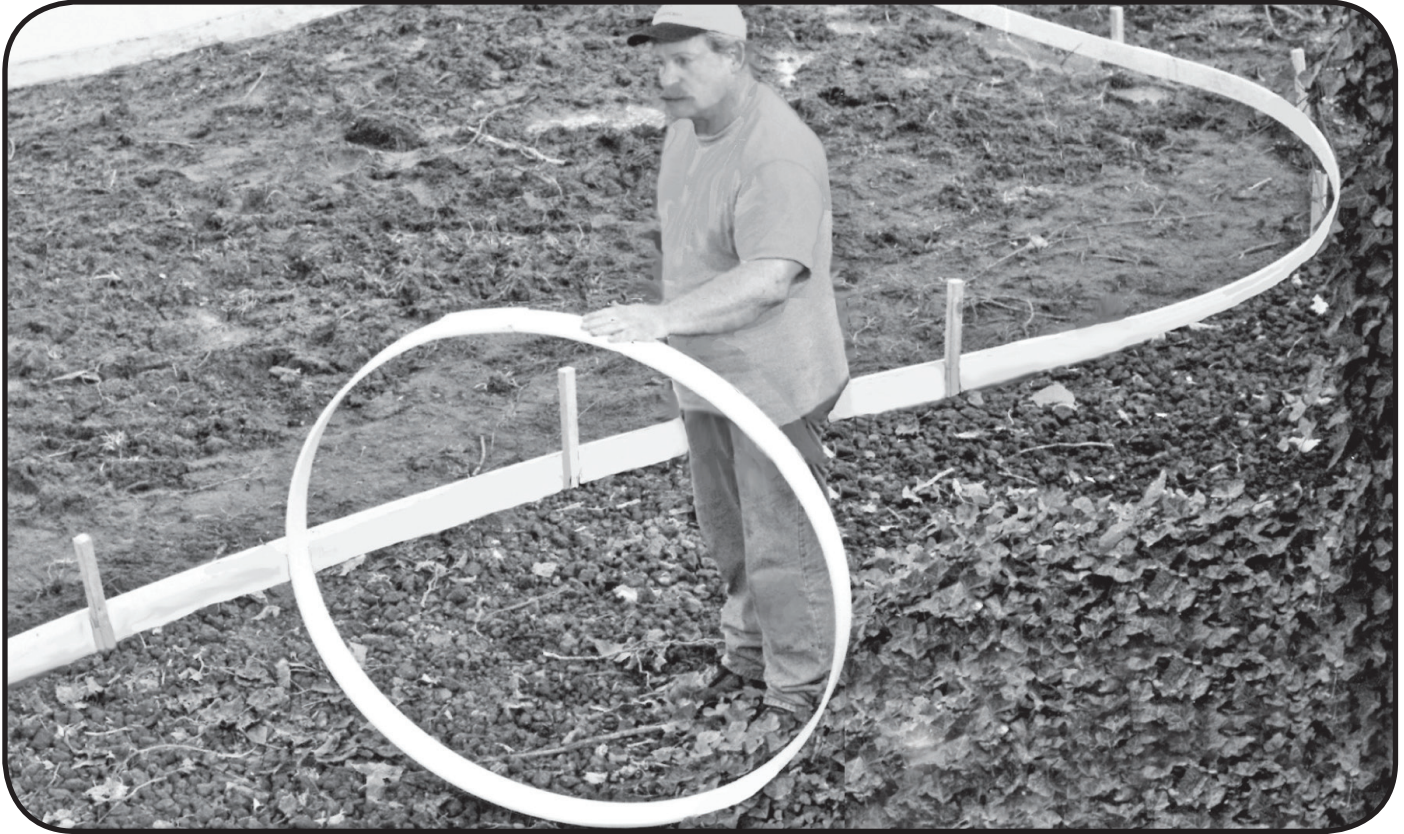


Pre-drilled nail holes are spaced 12" on center.



Tile Ledger Board conforms to virtually any radius.

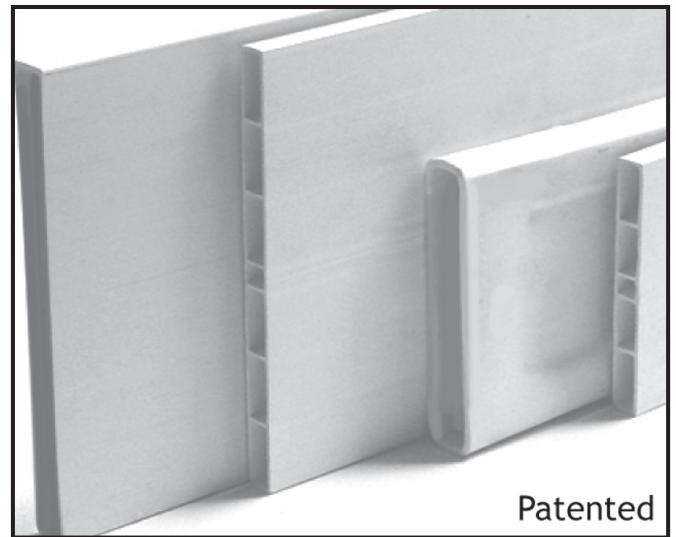
Slip-N-Join Lumber



Slip-N-Join Lumber is a reusable synthetic forming material that's ideal for producing free-form concrete designs that win awards in the swimming pool as well as the landscaping industry.

Economy: Slip-N-Join Lumber, unlike plywood or masonite, is reusable making it more economical with each job. A light oil film is necessary for the first two uses.

Time saving: your forming crew will find Slip-N-Join Lumber a lightweight and easy to work with material. Less grade marks are necessary, as Slip-N-Join Lumber does not warp and tends to find its own elevation. The forms are connected by simply plugging into the couplers, eliminating the need for time-consuming splicing.



Patented

PRODUCT	PART NUMBER	SPECIFICATIONS	CONTENTS
Slip-N-Join Lumber (includes 12 couplers)	MS007	3/8" x 3-1/2" x 12'	144' per carton - 12' lengths
Couplers (3-5/8")	MS009	1/2" x 3-3/4" x 7-1/4"	12 per carton
Slip-N-Join Lumber (includes 6 couplers)	MS006	3/8" x 5-1/2" x 12'	72' per carton - 12' lengths
Couplers (5-1/2")	MS008	9/16" x 5-9/16" x 10"	6 per carton

Dash Brush

For application of Frontier Desert Deck.

PART #:

TL001

(12 Per Carton)

TL001-4

(4 Per Carton)



Frontier Desert Deck Walking Trowel

This tool features a limber blade that is ideal for texturing Frontier Desert Deck. The texture is applied by lowering to the surface and applying a pulling motion. When attached to an extension handle this tool extends the finishers reach up to 20ft.

PART #:

18" TL003

24" TL004



Tile Trowel with Level

This trowel is designed to be used in applying the bed mud to the top edge of a pool wall in preparation for setting the perimeter tile on a Gunite pool. The handle mounted level allows the applicator to apply a true vertical surface while being positioned above the wall avoiding the use of time consuming scaffolding. This specialty tool is popular with many production minded tile contractors.

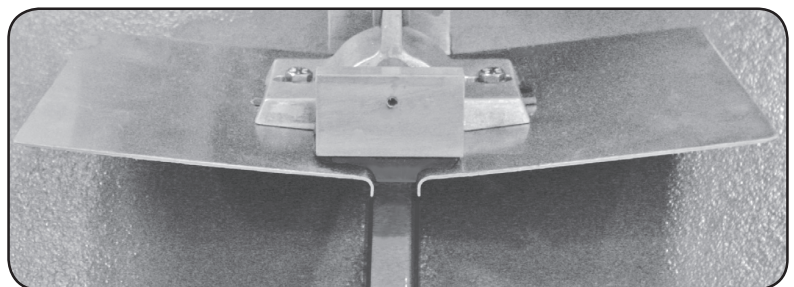
PART #: TS010



Dual Walking Edger

This specialty tool edges the concrete on both sides of a control joint while wiping the top clean. This tool is a must for Frontier Desert Deck installations because contamination of the edges by the grey concrete base is avoided.

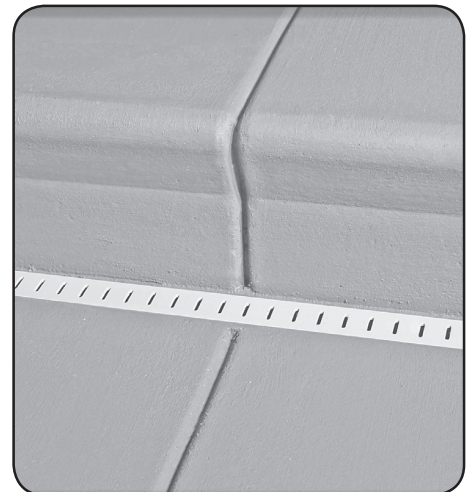
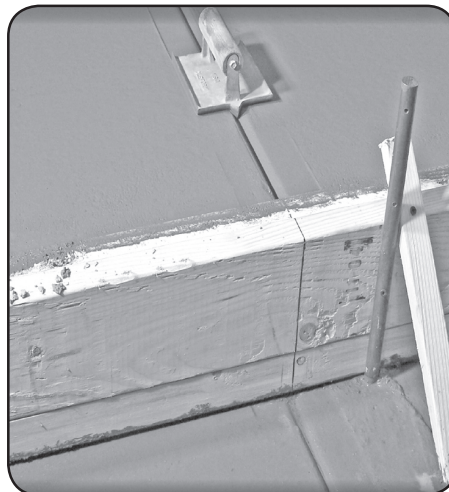
PART #: TL006



Chamfer Clips

Vertical Surface Detail Molds (Wall Caps, Pool Forms, Step Liners)

Chamfer Clips are used to continue a deep jointer mark over the edge of the most detailed Stegmeier vertical surfaces. These reusable molds are pinned to the inside of the form with finish nails, painted with release agent (included) and are removed when the forms are stripped so the edge is ready to finish.



RENOVATION

Capstone*	RENC-CC-24
Marble Round*	RENMR-CC-24
Regular*	RENRG-CC-24

PART NUMBER

*Also used with Counter Top forms.

WALL CAP

Mini-Cap "300"	MC3-CC-24
O-G "400"	OG4-CC-24
O-G "600"	OG6-CC-24
Regular-360	RG6-CC-24
Capstone-350	CP5-CC-24

PART NUMBER

POOLS

Regular	REG-CC-24
Capstone	CAP-CC-24
Sandstone	SAN-CC-24
OG	OG-CC-24
Intermediate	INT-CC-24
Pool Cover	POO-CC-24

PART NUMBER

STEP LINERS

Regular	REGST-CC-24
Capstone	CAPST-CC-24
Sandstone	SANST-CC-24
Intermediate	INTST-CC-24
Commercial	COMST-CC-24

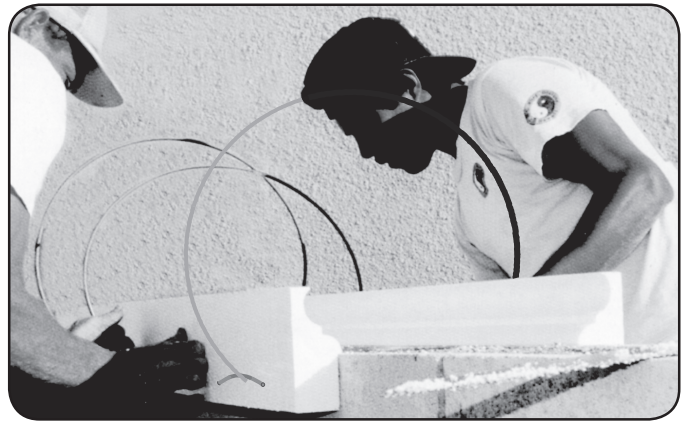
PART NUMBER

Wall Cap Forms

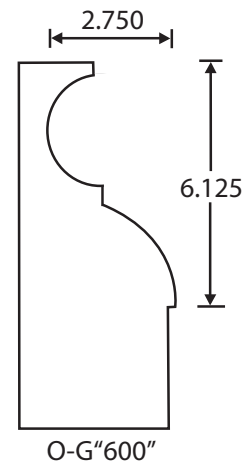
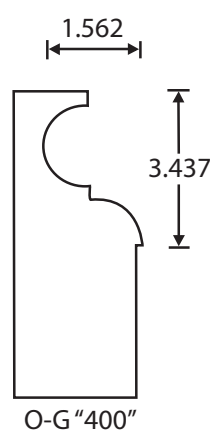
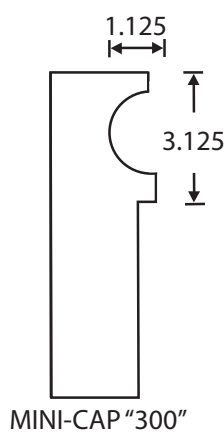
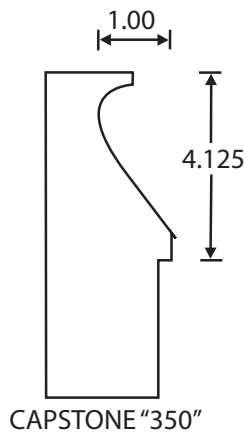
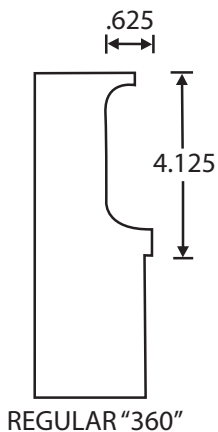
Wall Cap Forms are used to pour concrete caps on block walls, glass block walls, planters and benches. Wall Cap Forms are made of foam, making them lightweight. They are held in place with reusable spring clamps. Wall Cap Forms are available in several classic profiles. They provide an affordable "Cast-in-Place" solution.

Wall Cap Forms (80' per carton)	Wall Cap Part Number
REGULAR "360"	REG-360
CAPSTONE "350"	CAP-350
MINI-CAP "300"	MC-300
OG "400"	OG-400
OG "600"	OG-600

Spring Clamps are designed to hold the forms securely yet be removed easily without damage to the wall surface.



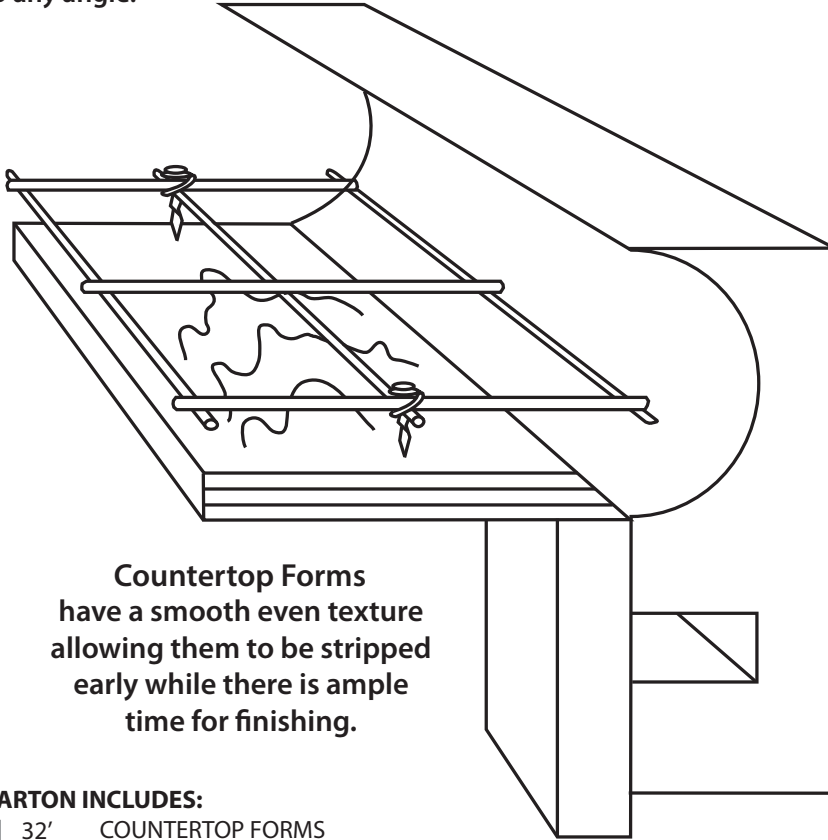
Spring Clamps
Part # SPR-CLP
 Packaged 10 per carton
"SPRING CLAMPS NOT INCLUDED
 IN FORM BOX"



Countertop Forms

"FOR POURED IN PLACE CONCRETE COUNTERTOPS"

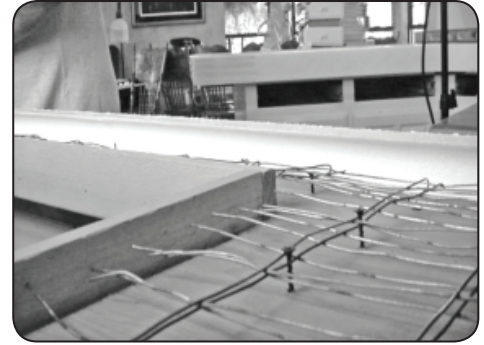
Stegmeier's Countertop Forms are the answer to installing the popular counters found in many contemporary kitchens, baths, and commercial sites such as restaurants and bars. These short 2" thick profiles are the perfect height for most applications and can be shaped or mitered to any angle.



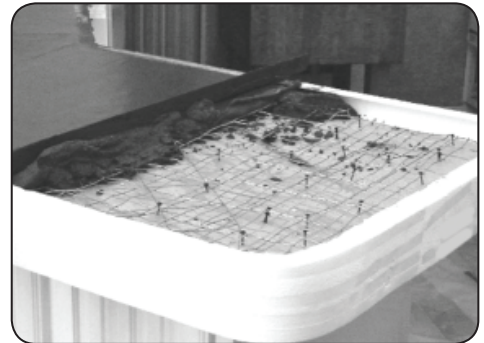
Countertop Forms have a smooth even texture allowing them to be stripped early while there is ample time for finishing.

CARTON INCLUDES:

- 32' COUNTERTOP FORMS
- 1 COUNTERTOP SIDE KIT
(25 TIE WIRES, 25 WOOD SCREWS, 1 FOAM PROFILE EDGING TOOL AND 1 ROLL OF BENDING TAPE)



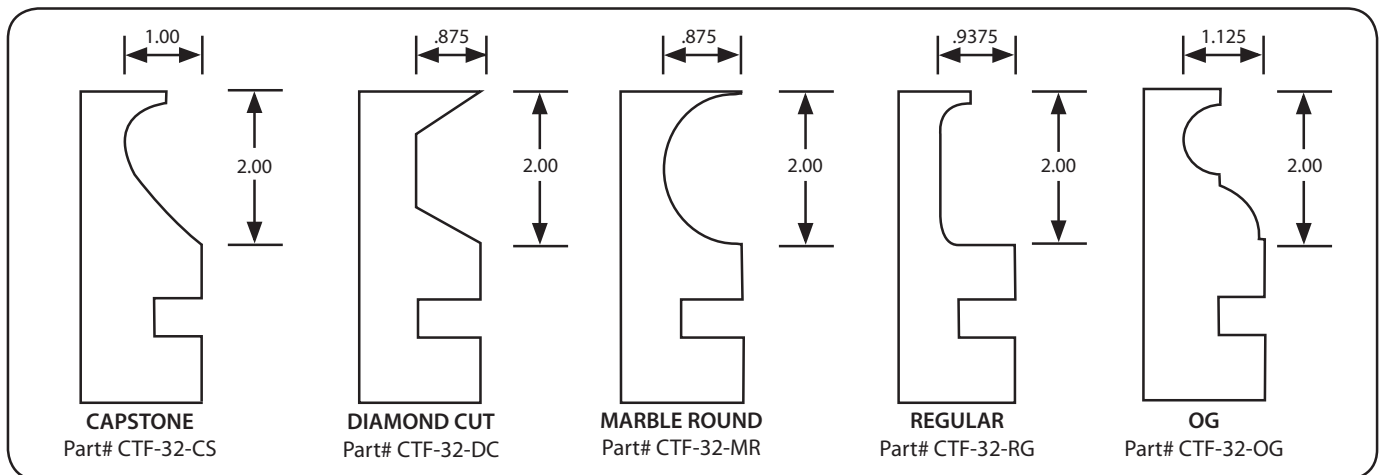
SETUP



POUR



FINISH



If 3 1/2" thick counters are desired see Pool Forms.

Backsplash Forms

“For poured in place Concrete Backsplashes”

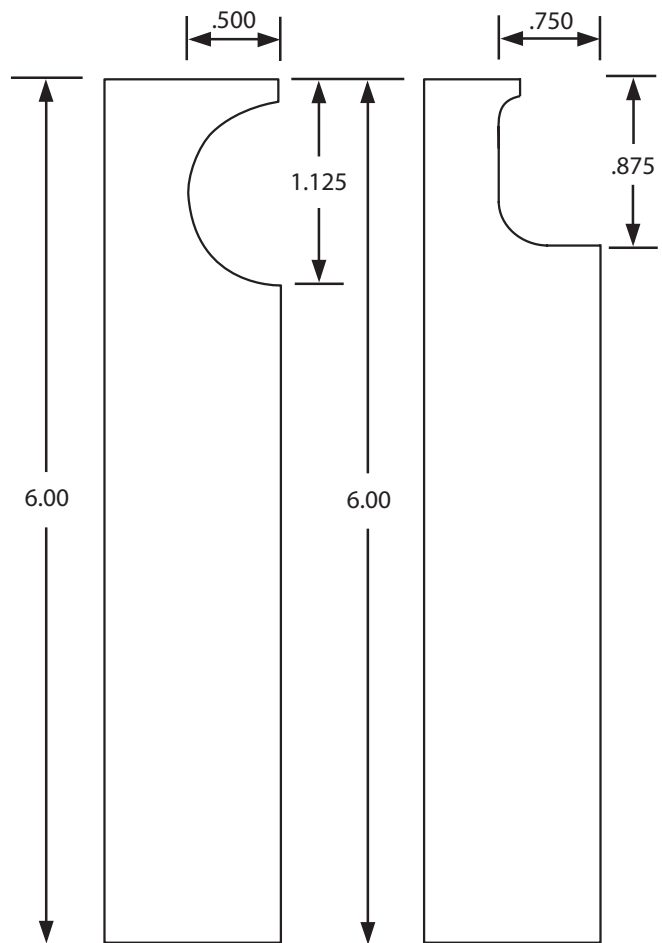
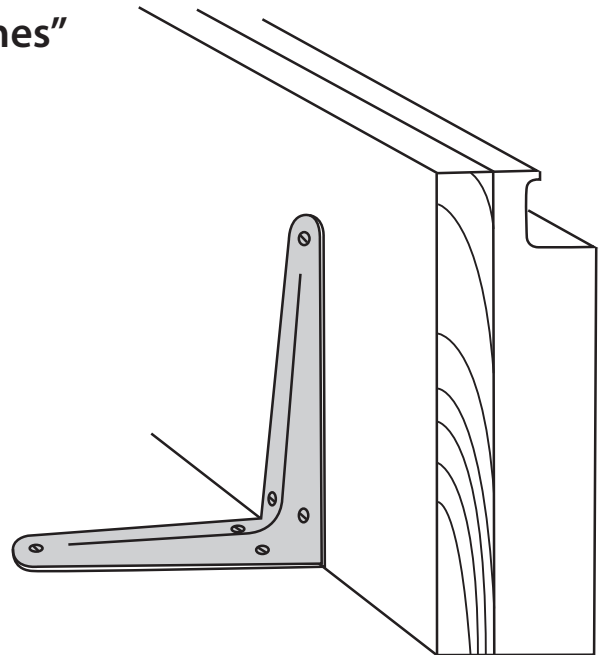
Now you can have “poured in place” backsplashes. Just attach a Backsplash Form to a six inch piece of lumber using spray adhesive and fasten the lumber to the wood deck using six inch shelving brackets. Then adjust the backsplash to desired depth.



Note: Pour before Countertop

CARTON INCLUDES:

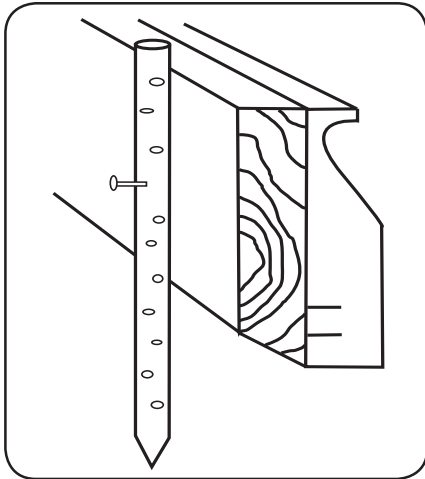
- 32' BACKSPLASH FORMS
- 1 INSTRUCTION SHEET



MARBLE ROUND
Part #
BS-32-MR

REGULAR
Part #
BS-32-RG

Step Liners



Step Liners are a flexible foam step liner used to produce architectural profiles when pouring concrete steps. These labor saving forms are attached to the inside of the wood forms using spray adhesive, nails and or roofing nails. Radius steps may be formed by attaching Step Liners to Slip-N-Join Lumber (a reusable plastic bender board by Stegmeier LLC). Break-away slots allow for three (3) riser heights. Step Liners may be stripped and finished much earlier than conventional forms.

Available in 8 ft. or 4 ft. lengths. 4 ft. lengths can be shipped U.P.S.

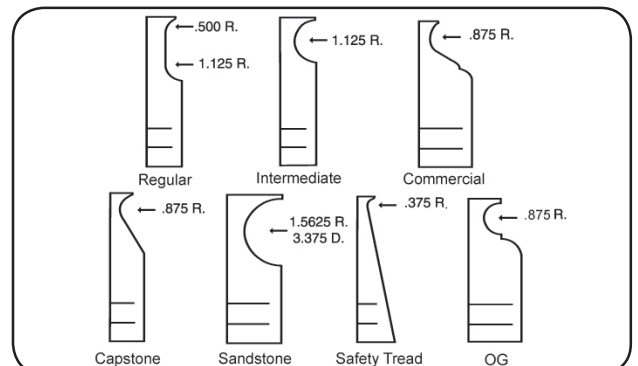
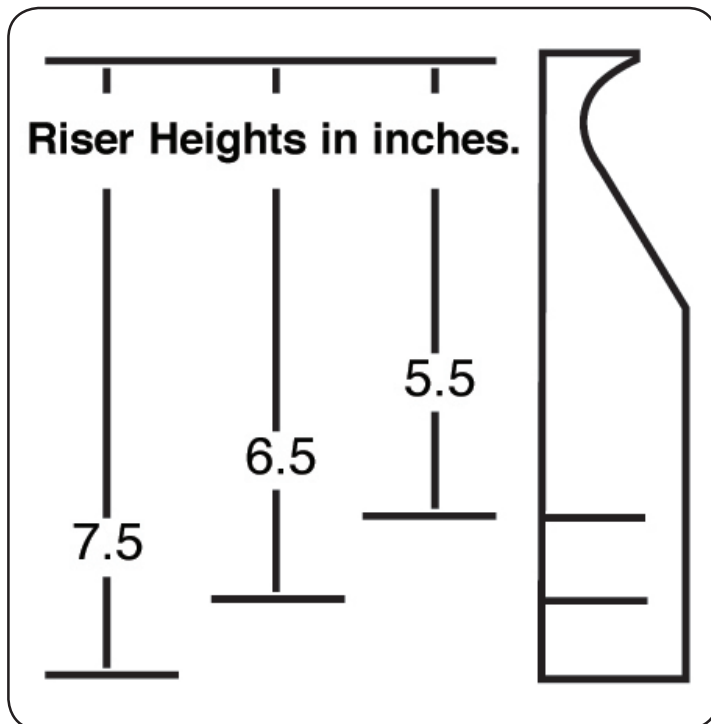


Use spray adhesive/ nails to attach.



Foam Profile Tools Available.

PRODUCT	Length	Part#	Quantity
REGULAR	4 ft.	1STP40	40 LF
REGULAR	8 ft.	1STP80	80 LF
INTERMEDIATE	4 ft.	2STP40	40 LF
INTERMEDIATE	8 ft.	2STP80	80 LF
COMMERCIAL	4 ft.	3STP24	24 LF
COMMERCIAL	8 ft.	3STP48	48 LF
CAPSTONE	4 ft.	9STP40	40 LF
CAPSTONE	8 ft.	9STP80	80 LF
SANDSTONE	4 ft.	17STP40	28 LF
SANDSTONE	8 ft.	17STP80	56 LF
SAFETY TREAD	4 ft.	19STP40	40 LF
SAFETY TREAD	8 ft.	19STP80	80 LF
OG	4 ft.	20STP24	24 LF
OG	8 ft.	20STP48	48 LF



Frontier Poli-Void

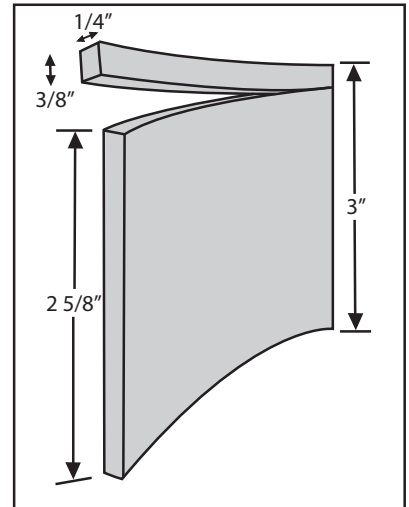
Flexible Expansion Joint Material System.

Frontier Poli-Void by Stegmeier LLC is available in three heights: 1-1/2", 3" and 4" with 3/8" perforated tear strip.

FRONTIER POLI-VOID INSTRUCTIONS

To determine the size needed, check the coping. If you have just the depth of the coping, use the one and one-half inch. If the bond beam is notched, or goes straight down from the bottom of the coping, use the three inch.

With the 3/8" tear strip in an upward position, apply spray adhesive one-half inch below the tear strip section so as not to interfere with the bonding of the joint sealant. The concrete is poured to the opposite side and edged with 1/4" edger. The deck (surface) should be allowed to cure before the 3/8" tear strip is removed and the BOSS JOINT SEALANT is applied.

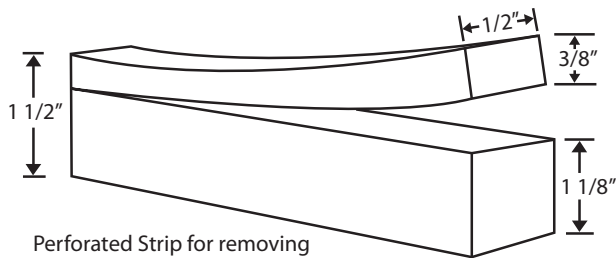


COMPRESSION, psi

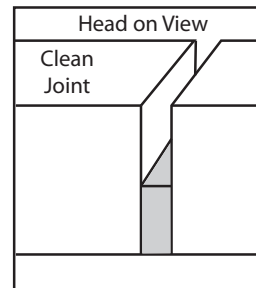
at 10% deflection - less than 10
at 80% deflection - less than 125

MOISTURE VAPOR PERMEABILITY

perm inches - less than 0.4



Perforated Strip for removing



SIZES AVAILABLE	RLS PER BUNDLE	PART # PACKAGE OPTIONS		RLS PER BUNDLE	PART # PACKAGE OPTIONS	
		Corrugated	Plastic Bag		Plastic Bag Only	
1/4" x 1 1/2" x 120'	32	PV11B	PV11B-BAG	8	PV11B-BAG-4	
1/4" x 3" x 120'	16	PV12B	PV12B-BAG	4	PV12B-BAG-4	
1/2" x 1 1/2" x 60'	32	PV13B	PV13B-BAG	8	PV13B-BAG-4	
1/2" x 3" x 60'	16	PV14B	PV14B-BAG	4	PV14B-BAG-4	
1/4" x 4" x 120'	12	PV15B	PV15B-BAG	4	PV15B-BAG-4	
1/2" x 4" x 60'	12	PV16B	PV16B-BAG	4	PV16B-BAG-4	

WATER ABSORPTION

% volume - less than 0.5

DENSITY

Pounds/ft. 3 - 2.4 - 2.8

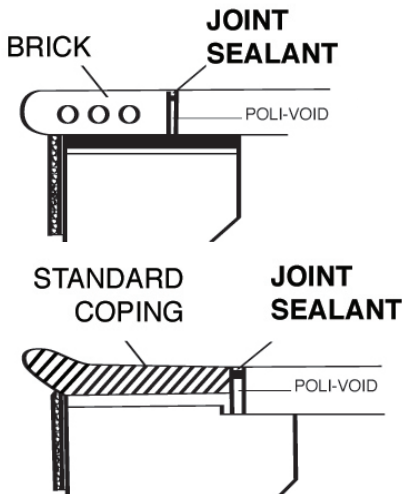
TEMPERATURE STABILITY

- 18°F to 150°F

Boss® Joint Sealant

"Self Levelling, One Part Silicone Joint Sealant".

BOSS JOINT SEALANT cures to a firm, flexible silicone rubber that is UV resistant and adheres to concrete, brick, masonry, wood, glass, vinyl and most plastics.



PART

White BJS629W
Tan BJS629T
Grey BJS629G

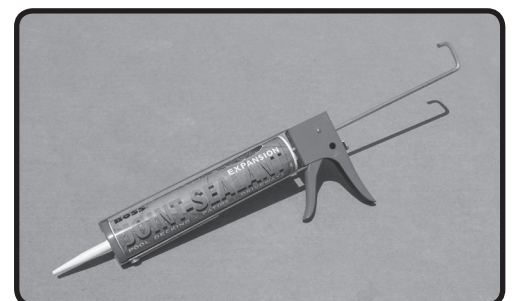
CARTON INCLUDES:

■ 6 29 oz. SEALANT TUBES

DEPTH

WIDTH	DEPTH							
	1/8"	1/4"	3/8"	1/2"	5/8"	3/4"	7/8"	1"
1/8"	279'	139'	93'	69'	56'	46'	40'	35'
1/4"		70'	46'	35'	28'	23'	20'	17'
3/8"			31'	23'	18'	15'	13'	11'
1/2"				17'	14'	11'	10'	9'
5/8"					11'	9'	8'	7'
3/4"						8'	6'	6'
7/8"							5'	5'
1"								4'

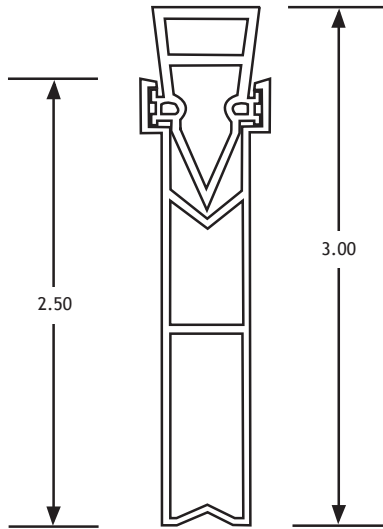
Chart shows approximate lineal ft. of coverage per 29 oz. tube.



Rigid Hold

When preset expansions are the answer.

Rigid Hold is a full expansion base that is used in presetting either Frontier Deck Joint or Rigid Deck Joint. With expansion joint snapped in place, Rigid Hold measures a full three inches in height.

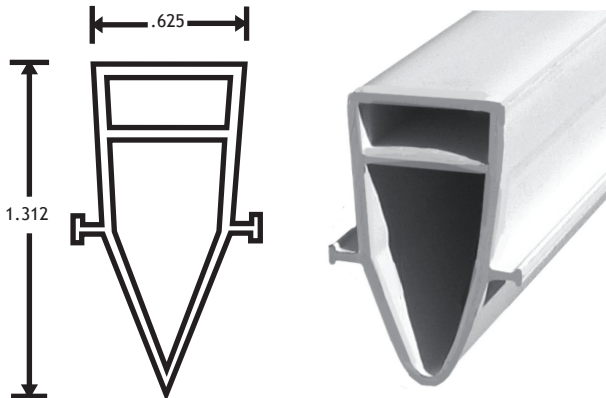


JOINT NOT INCLUDED

PART# RJH2

Packaged 240' per carton in 12' lengths

Frontier Deck Joint



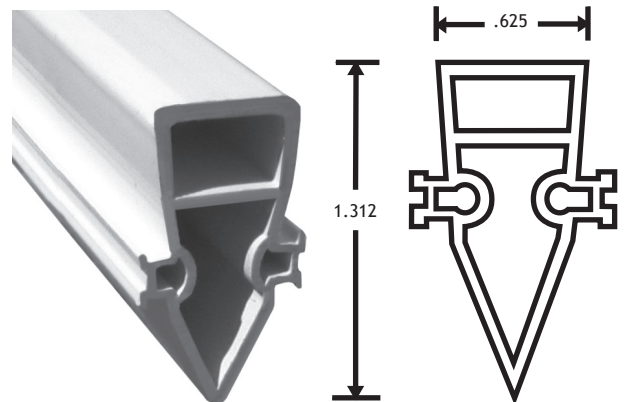
Frontier Deck Joint provides the necessary crack control, but not so deep as to interfere with steel placement. In addition to control, it adds a beautiful finished look. It is cost effective, durable and easy to install. With the "T" member ears embedded in concrete, surface water seepage is kept from subsoil.

- PART#**
SDJIB - BLACK
SDJIG - GREY
SDJIT - TAN
SDJIW - WHITE

Packaged 240' per case in 12' lengths with protective tape on top.

For full expansion joint control, use with Rigid Hold.

Rigid Deck Joint



Rigid P.V.C. control joint to be used in exterior patios, driveways, pool decks or wherever less flexibility is desired to assure straight lines in decking. The 5/8" x 1-5/16" control joint is deep enough to produce required crack control, but not so deep as to interfere with steel placement.

- PART#**
RDJIB - BLACK
RDJIG - GREY
RDJIT - TAN
RDJIW - WHITE

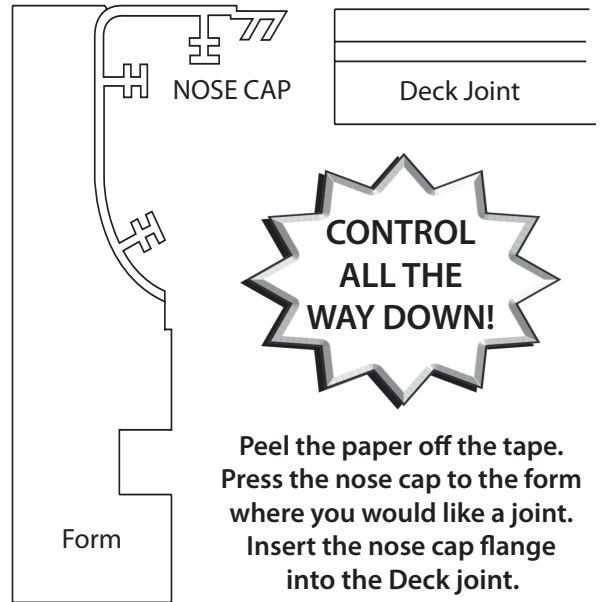
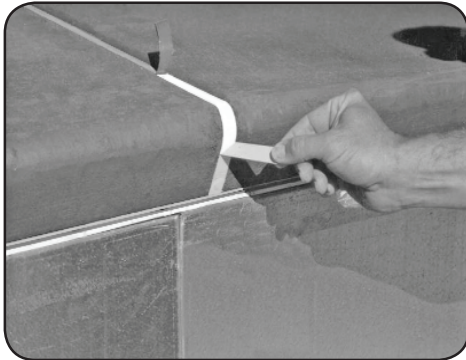
Packaged 240' per case in 12' lengths with protective tape on top.

For full expansion joint control, use with Rigid Hold.

Frontier Nose Caps

"CONTROL THE JOINT ALL THE WAY DOWN"

Frontier Nose Caps are designed to allow the control joint to run smoothly down the face to the tile or pool wall.



Peel the paper off the tape. Press the nose cap to the form where you would like a joint. Insert the nose cap flange into the Deck joint.

**Carton Includes:
100 pieces**

	WHITE	BLACK	TAN	GREY
REGULAR	1NC1	1NC2	1NC3	1NC6
CAPSTONE	9NC1	9NC2	9NC3	9NC6
INTERMEDIATE	2NC1	2NC2	2NC3	2NC6
COMMERCIAL	3NC1	3NC2	3NC3	3NC6
POOL COVER & STAMP-A-FORM	4NC1	4NC2	4NC3	4NC6
CHILD SAFETY GRIP	CSGNC1	CSGNC2	CSGNC3	N/A
SANDSTONE	17NC1	N/A	17NC3	N/A

Deck Drain

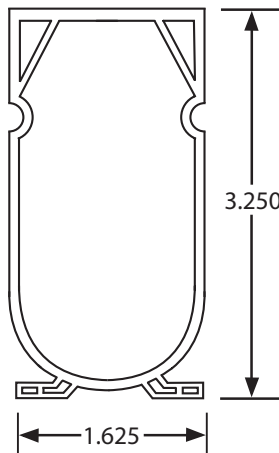
Stegmeier LLC Deck Drain is an extruded PVC drain that comes with connecting couplers and is designed to be set level. This drain is commonly used in pool decks, patios and other pedestrian traffic areas. Deck Drain is easy to install by staking on grade (no trenching required) and has a full .100" thickness top for durability.

CARTON INCLUDES:

- 80' DECK DRAIN
- 8 COUPLERS
- 4 END ADAPTERS

PART #

- D2W - White
- D2G - Grey
- D2T - Tan
- D2B - Black



A full range of fittings are available.



This drain is packaged in 10' lengths with protective tape on the top surface.

Channel Drain

Stegmeier LLC Channel Drain has an attractive dual channel top that reduces water pass-over. Channel Drain is an extruded PVC drain that comes with connecting couplers and is designed to be set level. This drain is commonly used in pool decks, patios and other pedestrian traffic areas. Channel Drain is easy to install by staking on grade (no trenching required) and has a full .100" thickness top for durability.

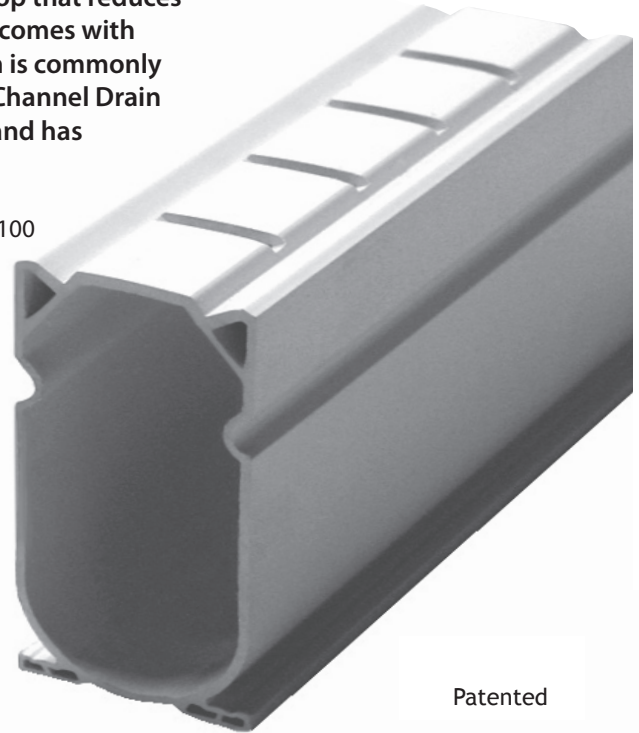
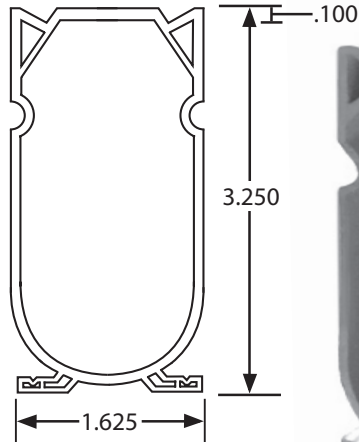
PART #

- CD3W - White
- CD3G - Grey
- CD3T - Tan
- CD3B - Black

CARTON INCLUDES:

- 80' CHANNEL DRAIN
- 8 COUPLERS
- 4 END ADAPTERS

A full range of fittings are available.



Patented

This drain is packaged in 10' lengths with protective tape on the top surface.

Super Drain

Super Drain is a technically superior round drain designed for maximum flow capacity, durability and ease of installation. Super Drain features a nailing guide, which also acts as a true water seal against moisture transfer to the subsoil. A full range of non-directional fittings, adapters and end clips are available, although you may construct your own out of 1-1/2" schedule 40 P.V.C. pipe. Because Super Drain fits flush on both sides, it stakes more securely (no more roll over).

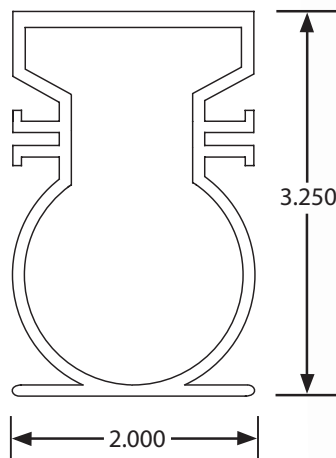
- FUNNEL TOP**
- LARGE CAPACITY**
- NON-DIRECTIONAL FITTINGS**
- FITS 1-1/2" SCH 40 P.V.C.**
- NAILING GUIDE**

PART #

- SRG - Grey
- SRT - Tan
- SRW - White

CARTON INCLUDES:

- 80' SUPER DRAIN
- 8 COUPLERS
- 4 END CLIPS



Patented

This drain is packaged in 10' lengths with protective tape on the top surface.

Frontier Deck Drain

“ Removable Top Drain”

Frontier Deck Drain is a removable top drain that features a double wall base and snap in top (PVC). When installing this drain the tops are staggered past the joints making the joints very rigid. Because the tops are removable, this drain is easy to clean and the tops can be replaced if ever damaged. Frontier Deck Drain is used in many residential and commercial swimming pools, patios and other pedestrian traffic areas.

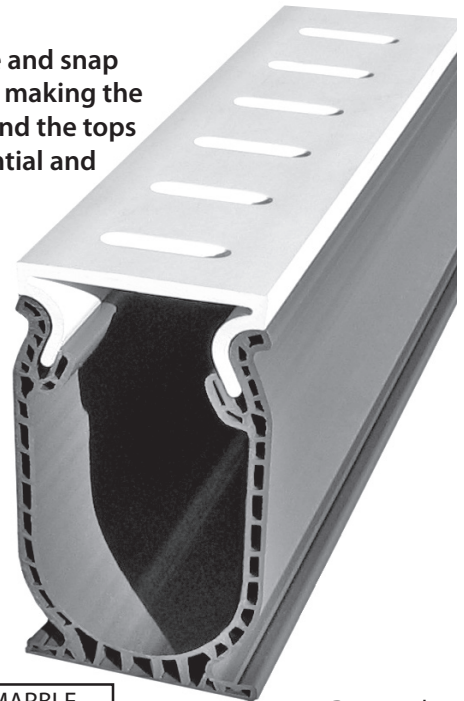
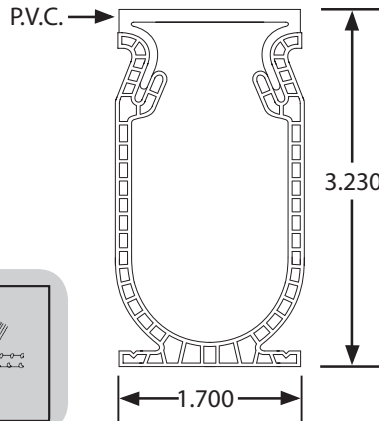
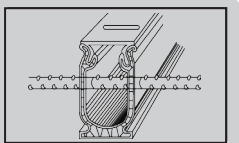
CARTON INCLUDES:

- 80' BASE
- 80' TOP CAP
- 8 COUPLERS
- 4 END ADAPTERS

A full range of fittings are available.

This drain is packaged in 10' lengths with protective tape on the top surface.

This drain is not designed to be used as a full expansion. Stegmeier LLC requires that a 3/8" rebar be placed every 36", midway in the drain to prevent damage due to concrete deck movement.



Patented

	WHITE	TAN	GREY	BLACK	MARBLE
*FRONTIER DECK DRAIN	SDDW	SDDT	SDDG	Sddb	SDDM
*TOP CAP ONLY	SDD-TCW-80	SDD-TCT-80	SDD-TCG-80	SDD-TCB-80	SDD-TCM-80
*BASE ONLY	BASE	*PACKAGED IN 80 FT. PER CTN			

Treadmaster Commercial

“ Aluminum Top Drain”

Treadmaster Commercial Deck Drain is a removable top drain that features an Aluminum top. This product also features a double wall base and a snap in top. When installing this drain the tops are staggered past the joints making the joints very rigid. Because the Aluminum tops are removable, this drain is easy to clean and the tops can be replaced if ever damaged. Treadmaster Commercial is used on many commercial swimming pools, fitness centers and other pedestrian traffic areas.

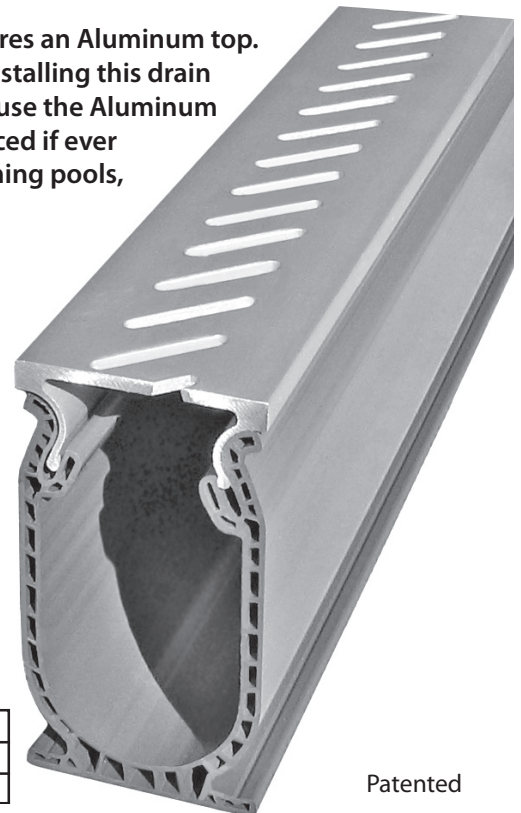
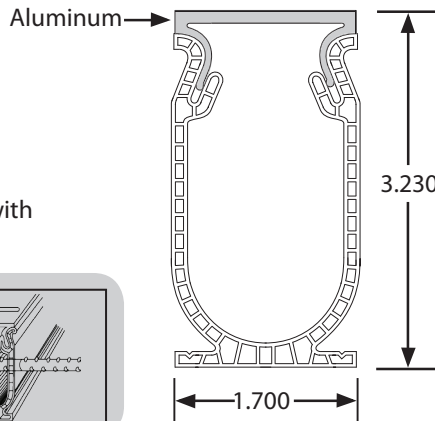
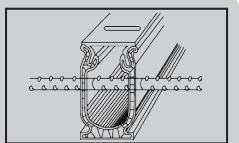
CARTON INCLUDES:

- 1 10' ALUMINUM TOP CAP
- 1 10' BASE
- 1 COUPLER

A full range of fittings are available.

This drain is packaged in 10' lengths with protective tape on the top surface.

This drain is not designed to be used as a full expansion. Stegmeier LLC requires that a 3/8" rebar be placed every 36", midway in the drain to prevent damage due to concrete deck movement.



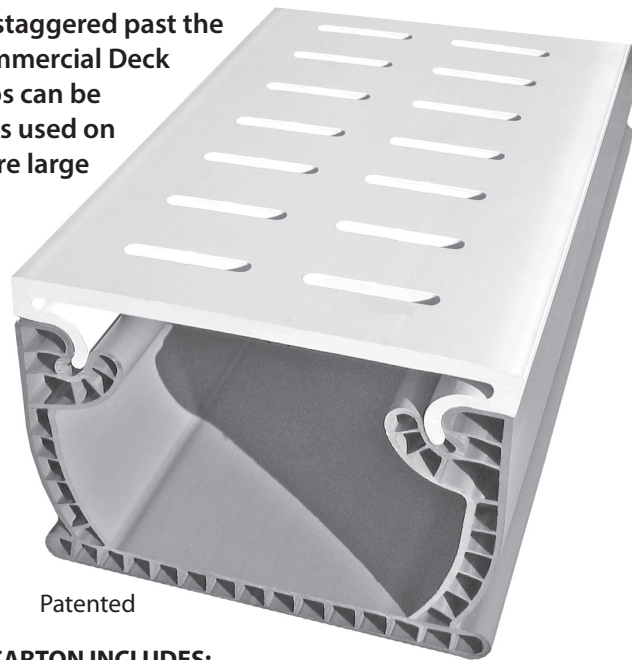
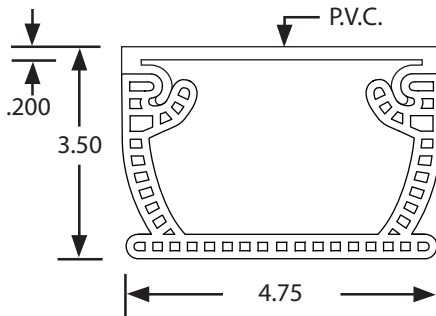
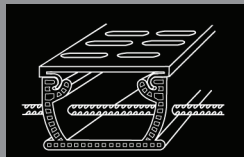
Patented

	CLEAR	ALMOND	WHITE	BRONZE	COPPER
TREADMASTER	ALD-C	ALD-A	ALD-W	ALD-BZ	ALD-LC
TOP CAP ONLY	ALD-C-NB	ALD-A-NB	ALD-W-NB	ALD-BZ-NB	ALD-LC-NB
*BASE ONLY	BASE	*PACKAGED IN 80 FT. PER CTN			

Flowmaster Commercial Deck Drain

Flowmaster Commercial is a 4" removable top drain that features a double wall base and a snap in top (PVC). When installing this drain the tops are staggered past the joints making the joints very rigid. Because the Flowmaster Commercial Deck Drain tops are removable, this drain is easy to clean and the tops can be replaced if ever damaged. Flowmaster Commercial Deck Drain is used on many commercial swimming pools, patios and other areas where large amounts of water need to be removed.

This Drain is not designed to be used as a full expansion. Stegmeier LLC requires that a 3/8" rebar be placed every 36", midway in the drain to prevent damage due to concrete deck movement



Patented

	WHITE	TAN	GREY
*FLOWMASTER	FMW	FMT	FMG
*TOP CAP ONLY	FM-TCW	FM-TCT	FM-TCG
*BASE ONLY	FM-BASE	*PACKAGED IN 40 FT. PER CTN	

CARTON INCLUDES:

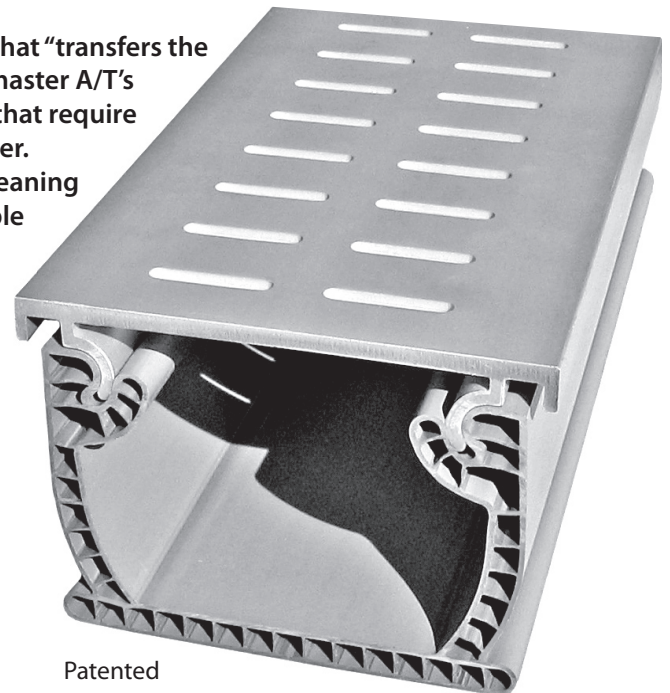
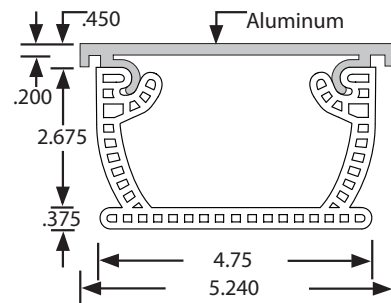
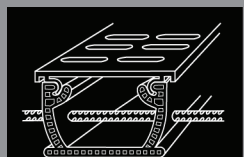
- 4 10' BASE
- 4 10' TOP CAP
- 4 COUPLERS

Flowmaster A/T

"Transfers the weight"

Flowmaster A/T was designed to give you a high traffic drain that "transfers the weight" applied to the top of the drain, to the concrete. Flowmaster A/T's wide design is ideal for commercial use or other applications that require a durable drain able to remove large quantities of surface water. Flowmaster A/T features a snap-on, removable cap for easy cleaning and a secure foot for easy installation. It also comes in workable 10 foot lengths with five "aluminum" finishes to choose from.

This Drain is not designed to be used as a full expansion. Stegmeier LLC requires that a 3/8" rebar be placed every 36", midway in the drain to prevent damage due to concrete deck movement



Patented

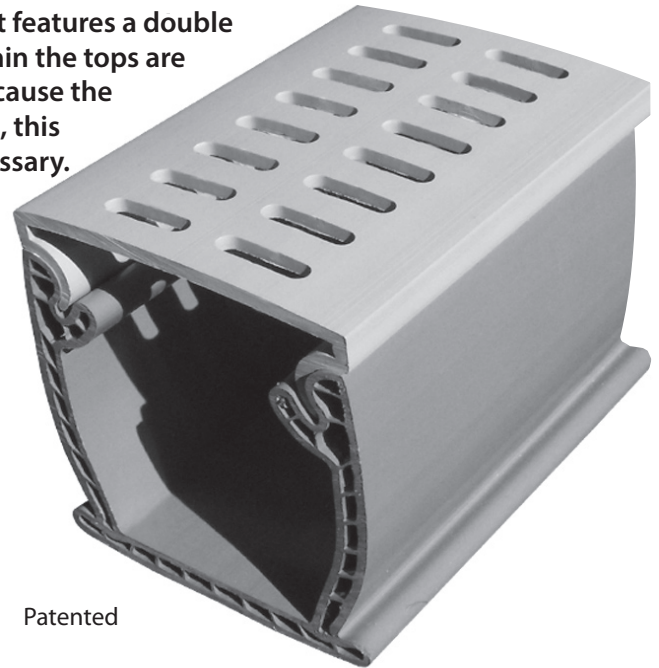
CARTON INCLUDES:

- 1 10' BASE
- 1 10' ALUMINUM TOP CAP
- 1 COUPLER

	CLEAR	ALMOND	WHITE	BRONZE	COPPER
FLOWMASTER A/T	FLO-AT 4.5 C	FLO-AT 4.5 A	FLO-AT 4.5 W	FLO-AT 4.5 BZ	FLO-AT 4.5 LC
TOP CAP ONLY	FLO-AT 4.5 C-NB	FLO-AT 4.5 A-NB	FLO-AT 4.5 W-NB	FLO-AT 4.5 BZ-NB	FLO-AT 4.5 LC-NB
*BASE ONLY	FM-BASE	*PACKAGED IN 40 FT. PER CTN			

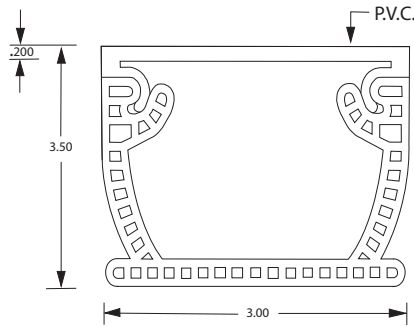
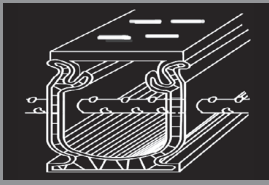
Flowmaster 3 Commercial Deck Drain

Flowmaster 3 Commercial is a 3" removable top drain that features a double wall base and a snap in top (PVC). When installing this drain the tops are staggered past the joints making the joints very rigid. Because the Flowmaster 3 Commercial Deck Drain tops are removable, this drain is easy to clean and the tops can be replaced if necessary. Flowmaster 3 Commercial Deck Drain is used on many commercial swimming pools, patios and other areas where large amounts of water need to be removed.



Patented

This Drain is not designed to be used as a full expansion. Stegmeier LLC requires that a 3/8" rebar be placed every 36", midway in the drain to prevent damage due to concrete deck movement



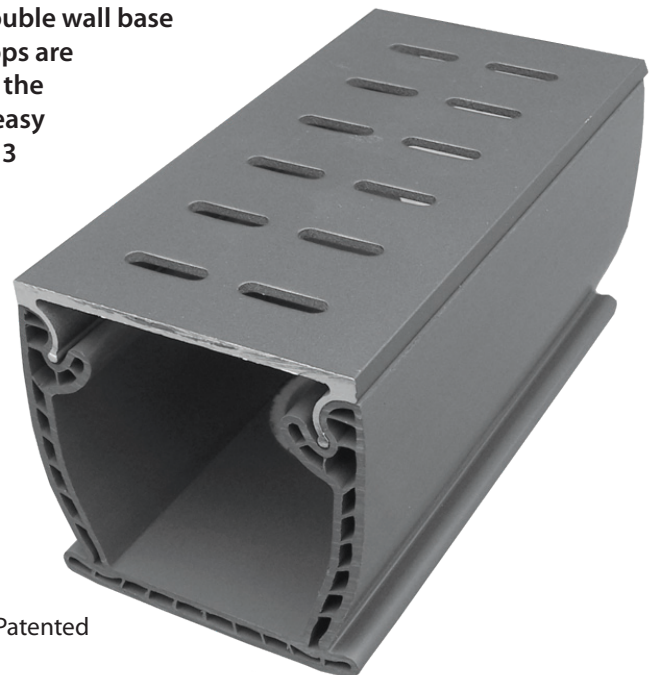
	WHITE	TAN	GREY
*FLOWMASTER 3	FM3W	FM3T	FM3G
*TOP CAP ONLY	FM3-TCW	FM3-TCT	FM3-TCG
*BASE ONLY	FM3-BASE	*PACKAGED IN 40 FT. PER CTN	

CARTON INCLUDES:

- 4 10' BASE
- 4 10' TOP CAP
- 4 COUPLERS

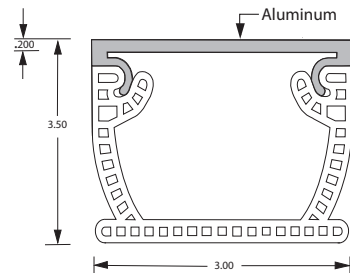
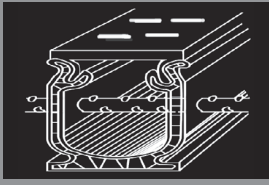
Flowmaster 3 A/T Deck Drain

Flowmaster 3 A/T is a 3" removable top drain that features a double wall base and a snap in top (Aluminum). When installing this drain the tops are staggered past the joints making the joints very rigid. Because the Flowmaster 3 A/T Deck Drain tops are removable, this drain is easy to clean and the tops can be replaced if necessary. Flowmaster 3 A/T Deck Drain is used on many commercial swimming pools, patios and other areas where large amounts of water need to be removed.



Patented

This Drain is not designed to be used as a full expansion. Stegmeier LLC requires that a 3/8" rebar be placed every 36", midway in the drain to prevent damage due to concrete deck movement



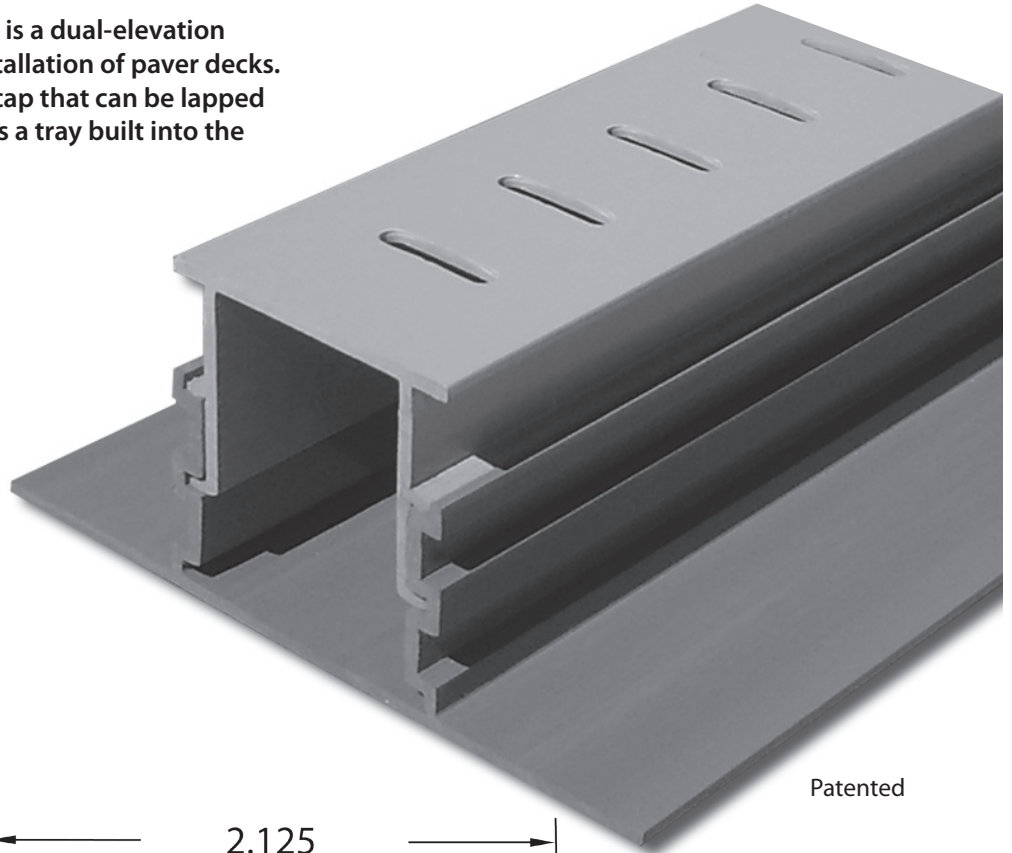
CARTON INCLUDES:

- 1 10' BASE
- 1 10' ALUMINUM TOP CAP
- 1 COUPLER

	ALMOND	CLEAR	WHITE	BRONZE	COPPER
FLOWMASTER 3 A/T	FLO-AT3A	FLO-AT3C	FLO-AT3W	FLO-AT3BZ	FLO-AT3LC
TOP CAP ONLY	FLO-AT3A-NB	FLO-AT3C-NB	FLO-AT3W-NB	FLO-AT3BZ-NB	FLO-AT3LC-NB
*BASE ONLY	FM3-BASE	*PACKAGED IN 40 FT. PER CTN			

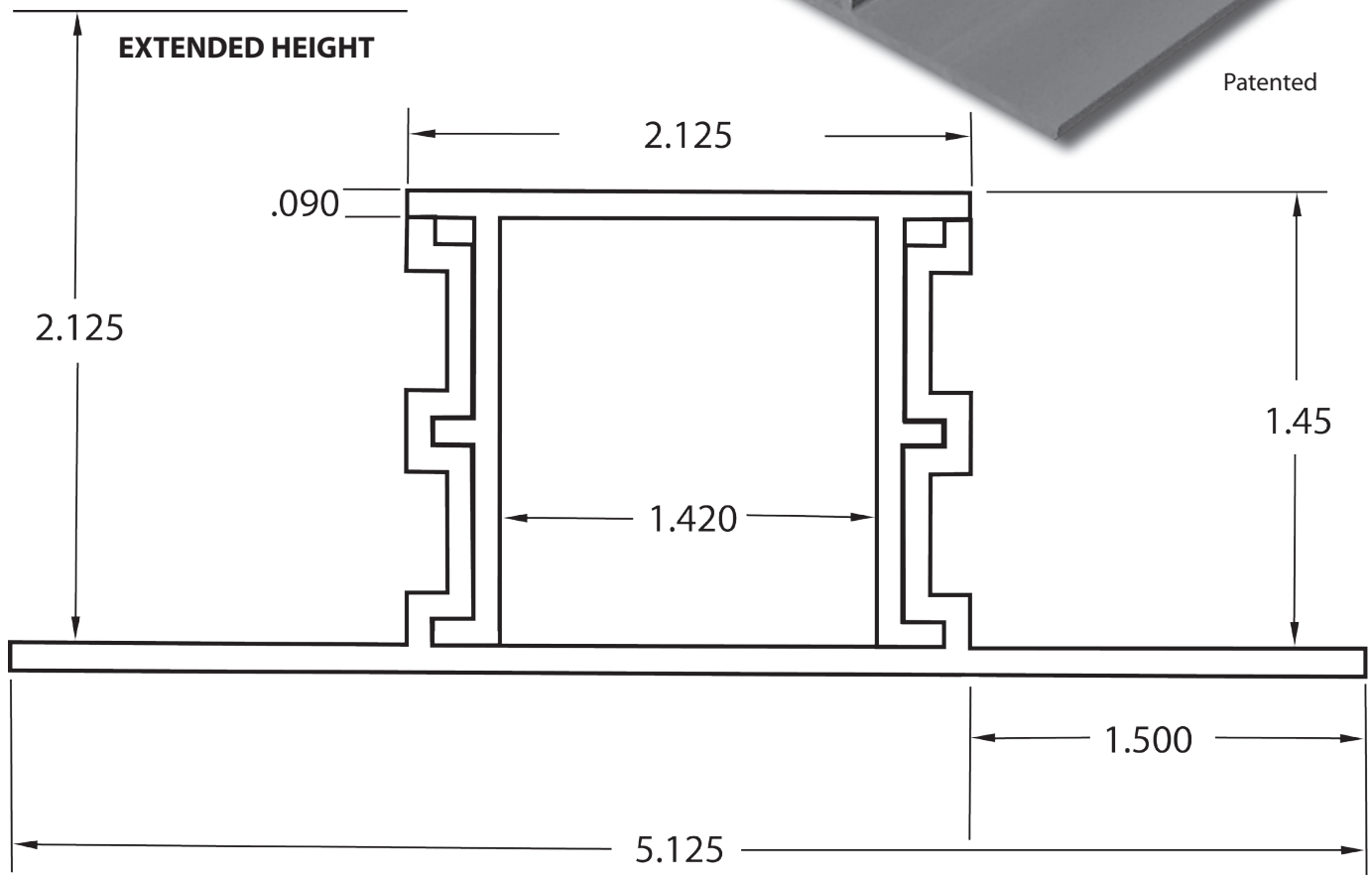
Adjustable Height Paver Drain

The Adjustable Height Paver Drain is a dual-elevation deck drain system used for the installation of paver decks. This unique design features a top cap that can be lapped past the joints for rigidity as well as a tray built into the base to set the pavers on.



CARTON INCLUDES:

- 8 10' BASE
- 8 10' TOP CAP
- 8 COUPLERS



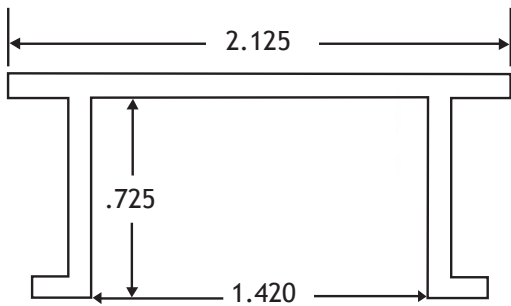
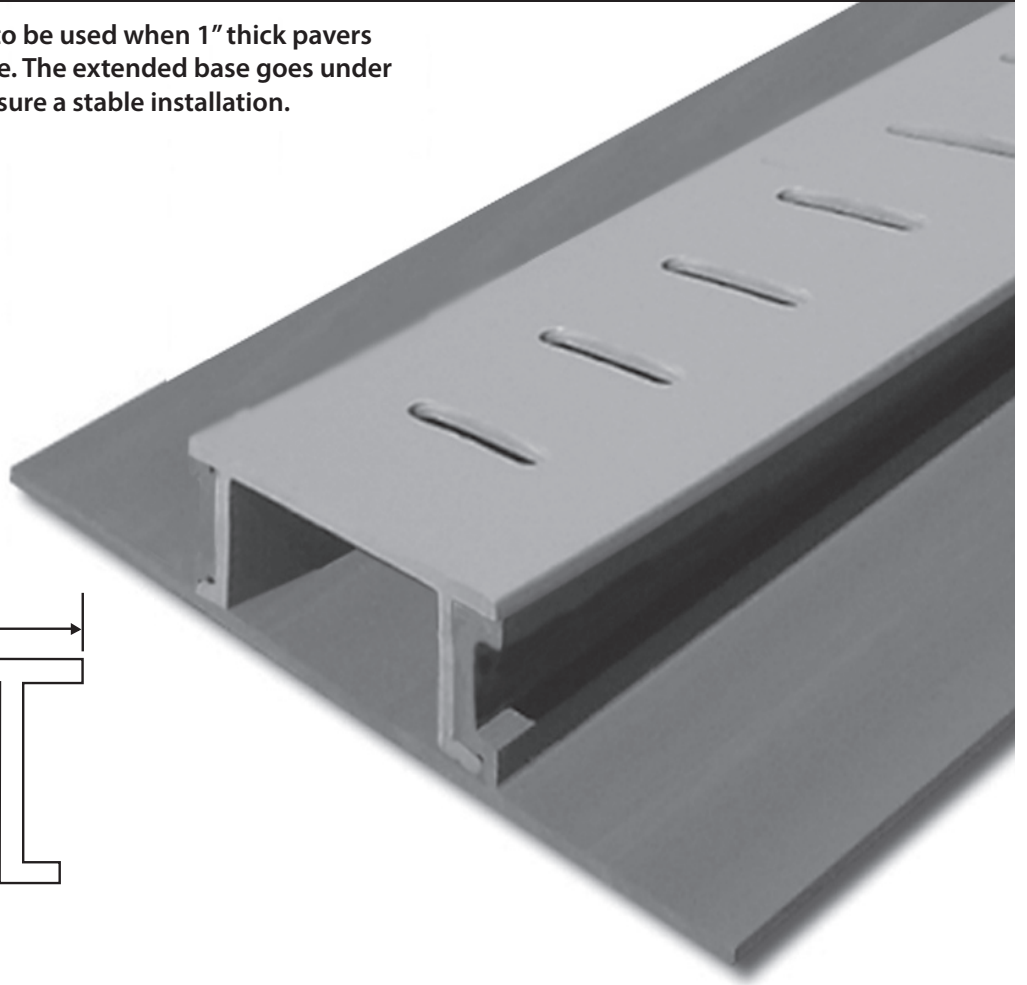
	GREY	MARBLE	TAN	WHITE
*ADJUSTABLE HEIGHT PAVER DRAIN	PD2G	PD2M	PD2T	PD2W
*TOP CAP ONLY	PD-TCG-80	PD-TCM-80	PD-TCT-80	PD-TCW-80
*BASE ONLY	PD-BASE	*PACKAGED IN 80 FT. PER CTN		

Mini Paver Drain

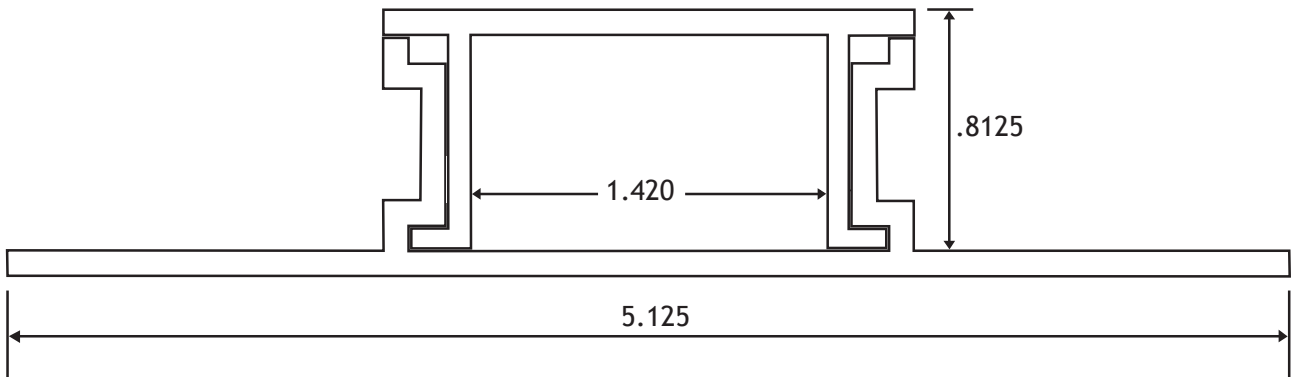
The Mini Paver Drain is designed to be used when 1" thick pavers are installed on an existing surface. The extended base goes under the surrounding pavers to help ensure a stable installation.

CARTON INCLUDES:


- 8 10' BASE
- 8 TOP CAPS
- 8 COUPLERS

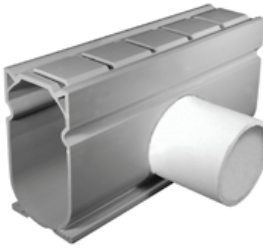



	PER CARTON	GREY	MARBLE	TAN	WHITE
MINI PAVER DRAIN	8	MP2G	MP2M	MP2T	MP2W
MINI PAVER DRAIN 45 DEGREE ANGLES	4	MP4G	MP4M	MP4T	MP4W
MINI PAVER DRAIN 90 DEGREE ANGLES	4	MP9G	MP9M	MP9T	MP9W
MINI PAVER DRAIN DOWN ADAPTER	4	MPDAG	MPDAM	MPDAT	MPDAW
MINI PAVER DRAIN END ADAPTER	4	MPDDEAG	MPDDEAM	MPDDEAT	MPDDEAW
MINI PAVER DRAIN COUPLER	12	MPDDCUP			
MINI PAVER DRAIN END PLUG	4	MPDEP			

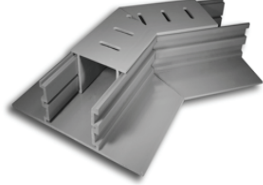


Drain Fittings

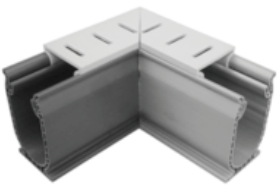
DECK DRAIN		QUANTITY PER CARTON	WHITE	GREY	TAN	BLACK
 <p>Tee/ Deck Drain</p>	90 DEGREE	10	D9W	D9G	D9T	D9B
	45 DEGREE	10	D4W	D4G	D4T	D4B
	SIDE ADAPTER	4	DSAW	DSAG	DSAT	DSAB
	CLEAN OUT	4	DCOW	DCOG	DCOT	DCOB
	TEE	4	DTW	DTG	DTT	DTB
	CROSS	2	DXW	DXG	DXT	DXB
	DOWN ADAPTER	4	DDAW	DDAG	DDAT	DDAB
	END ADAPTER	4	DEA	DEA	DEA	DEA
	END PLUG	10	DEP	DEP	DEP	DEP
	COUPLER	12	DCUP	DCUP	DCUP	DCUP

CHANNEL DRAIN		QUANTITY PER CARTON	WHITE	GREY	TAN	BLACK
 <p>Side Adapter/ Channel Drain</p>	90 DEGREE	10	CD9W	CD9G	CD9T	CD9B
	45 DEGREE	10	CD4W	CD4G	CD4T	CD4B
	SIDE ADAPTER	4	CDSAW	CDSAG	CDSAT	CDSAB
	CLEAN OUT	4	CDCOW	CDCOG	CDCOT	CDCOB
	TEE	4	CDTW	CDTG	CDTT	CDTB
	CROSS	2	CDXW	CDXG	CDXT	CDXB
	DOWN ADAPTER	4	CDDAW	CDDAG	CDDAT	CDDAB
	END ADAPTER	4	DEA	DEA	DEA	DEA
	END PLUG	10	DEP	DEP	DEP	DEP
	COUPLER	12	DCUP	DCUP	DCUP	DCUP

SUPER DRAIN		QUANTITY PER CARTON	WHITE	GREY	TAN
 <p>90° Super Drain</p>	90 DEGREE	10	SR9W	SR9G	SR9T
	45 DEGREE	10	SR4W	SR4G	SR4T
	SIDE ADAPTER	4	SRSAW	SRSAG	SRSAT
	CLEAN OUT	4	SRDCOW	SRDCOG	SRDCOT
	TEE	4	SRTW	SRTG	SRTT
	CROSS	2	SRXW	SRXG	SRXT
	DOWN ADAPTER	4	SRDAW	SRDAG	SRDAT
	END CLIP	10	SREC	SREC	SREC
	END PLUG	10	SRDEP	SRDEP	SRDEP
	COUPLER	12	SRDCUP	SRDCUP	SRDCUP


ADJUSTABLE HEIGHT PAVER DRAIN		QUANTITY PER CARTON	WHITE	GREY	TAN	MARBLE
 <p>45° Adjustable Height Paver Drain</p>	90 DEGREE	4	PD9W	PD9G	PD9T	PD9M
	45 DEGREE	4	PD4W	PD4G	PD4T	PD4M
	DOWN ADAPTER	4	PDDAW	PDDAG	PDDAT	PDDAM
	END ADAPTER	4	PDDEAW	PDDEAG	PDDEAT	PDDEAM
	SIDE ADAPTER	N/A	N/A	N/A	N/A	N/A
	CLEAN OUT	N/A	N/A	N/A	N/A	N/A
	TEE	N/A	N/A	N/A	N/A	N/A
	CROSS	N/A	N/A	N/A	N/A	N/A
	END PLUG	4	PDDEP	PDDEP	PDDEP	PDDEP
	COUPLER	12	PDDCUP	PDDCUP	PDDCUP	PDDCUP

Drain Fittings

FRONTIER DECK DRAIN		QUANTITY PER CARTON	WHITE	GREY	TAN	BLACK	MARBLE
 <p>90° Frontier Deck Drain</p>	90 DEGREE	10	SDD90W	SDD90G	SDD90T	SDD90B	SDD90M
	45 DEGREE	10	SDD45W	SDD45G	SDD45T	SDD45B	SDD45M
	CLEAN OUT	N/A	N/A	N/A	N/A	N/A	N/A
	SIDE ADAPTER	4	SDD-SA	SDD-SA	SDD-SA	SDD-SA	SDD-SA
	TEE	4	SDD-TW	SDD-TW	SDD-TW	SDD-TW	SDD-TW
	CROSS	2	SDD-XW	SDD-XW	SDD-XW	SDD-XW	SDD-XW
	DOWN ADAPTER	4	SDD-DA	SDD-DA	SDD-DA	SDD-DA	SDD-DA
	END ADAPTER	4	DEA	DEA	DEA	DEA	DEA
	END PLUG	10	DEP	DEP	DEP	DEP	DEP
	COUPLER	12	DCUP	DCUP	DCUP	DCUP	DCUP


TREADMASTER COMMERCIAL DRAIN

USE FRONTIER DECK DRAIN FITTINGS (Discard tops and use in-line with base)

FLOWMASTER COMMERCIAL DRAIN		QUANTITY PER CARTON	WHITE	GREY	TAN
 <p>45° Flowmaster Commercial Drain</p>	90 DEGREE	1	FM9W	FM9G	FM9T
	45 DEGREE	1	FM4W	FM4G	FM4T
	SIDE ADAPTER	1	FMSAW	FMSAG	FMSAT
	DOWN ADAPTER	1	FMDAW	FMDAG	FMDAT
	CLEAN OUT	N/A	N/A	N/A	N/A
	CROSS	N/A	N/A	N/A	N/A
	TEE	1	FMTW	FMTW	FMTW
	END ADAPTER	1	FMDEA	FMDEA	FMDEA
	END PLUG	1	FMDEP	FMDEP	FMDEP
	COUPLER	1	FMDCUP	FMDCUP	FMDCUP

FLOWMASTER A/T DRAIN

USE FLOWMASTER COMMERCIAL FITTINGS (Discard tops and use in-line with base)

FLOWMASTER 3 COMMERCIAL DRAIN		QUANTITY PER CARTON	WHITE	GREY	TAN
 <p>Down Adapter/ Flowmaster 3 Commercial Drain</p>	90 DEGREE	1	FM39W	FM39G	FM39T
	45 DEGREE	1	FM34W	FM34G	FM34T
	SIDE ADAPTER	1	FM3SAW	FM3SAG	FM3SAT
	DOWN ADAPTER	1	FM3DAW	FM3DAG	FM3DAT
	CLEAN OUT	N/A	N/A	N/A	N/A
	CROSS	N/A	N/A	N/A	N/A
	TEE	1	FM3TW	FM3TW	FM3TW
	END ADAPTER	1	FM3DEA	FM3DEA	FM3DEA
	END PLUG	1	FM3DEP	FM3DEP	FM3DEP
	COUPLER	1	FM3DCUP	FM3DCUP	FM3DCUP

FLOWMASTER 3 A/T DRAIN

USE FLOWMASTER 3 COMMERCIAL FITTINGS (Discard tops and use in-line with base)

Drain Extender Kit

Drain Extender Kit is used when it is necessary to raise the elevation of an existing drain in preparation for the installation of Pavers or Overlays.

(Renovation)

The Drain Extender Kit is used in many applications to increase the height of an existing drain. It is attached, base clip first to an existing drain, with the screws provided and the top cap is "snapped" into place. Both the top and bottom pieces of the Drain Extender Kit have slots in them, to allow the water to pass through to the existing drain.

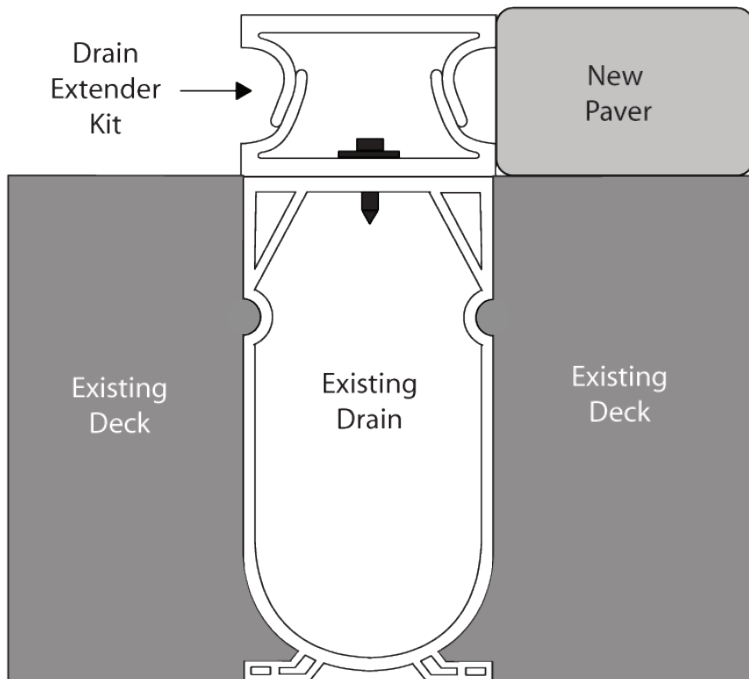
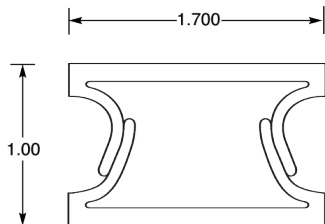
PACKAGED:
40' PER CARTON, 5' LENGTHS, 8 PIECES PER CARTON

CARTON INCLUDES:

- 40' EXTENDER DRAIN
- 48 EA. BASE CLIPS
- 48 EA. SCREWS

PART #

- DEK40W White
- DEK40G Grey
- DEK40T Tan
- DEK40B Black
- DEK40M Marble



Re-Cover Drain

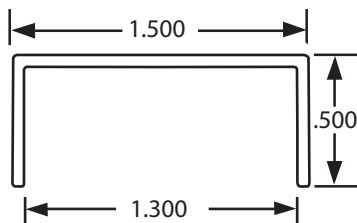
Replacement top used to repair damages deck drain.

(Renovation)

Re-Cover Drains are designed with continuous side-to-side slots, allowing water to enter from either side at the original elevation. This important feature helps prevent ponding and subsequent freeze and thaw damage.

Installation Tips

Using a 1/8" carborundum or diamond blade, make two parallel cuts, removing the center of the damaged deck drain. Apply a continuous bead of silicone into the crack between the side walls of the existing drain and the concrete. Press the Re-Cover Drain into the silicone filled slot. Place a weight on top of the Re-Cover Drain to hold it securely in place until the silicone cures.

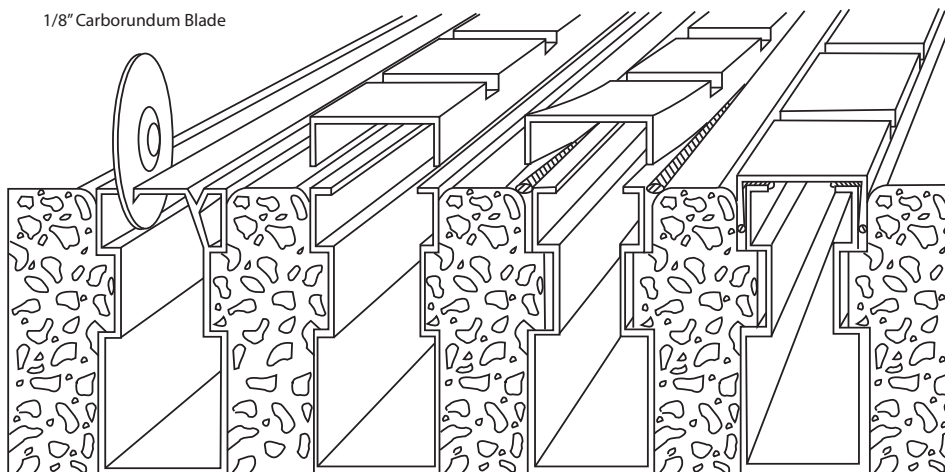


PART #

- RD2W White
- RD2T Tan
- RD2G Grey
- RD2B Black

PACKAGED

80' PER CARTON IN 10' LENGTHS

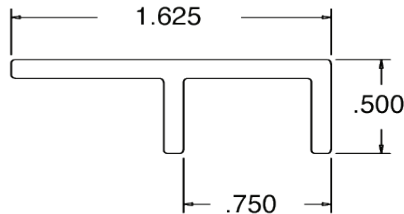


Re-Cover Drain II

Designed to repair drains that are pinched due to deck movement.

(Renovation)

Re-Cover Drain II is attached at one side only, allowing the drain cover to be successfully applied to drains that are distorted due to damage from deck movement. This "free floating" design makes this product adaptable to various drain widths.

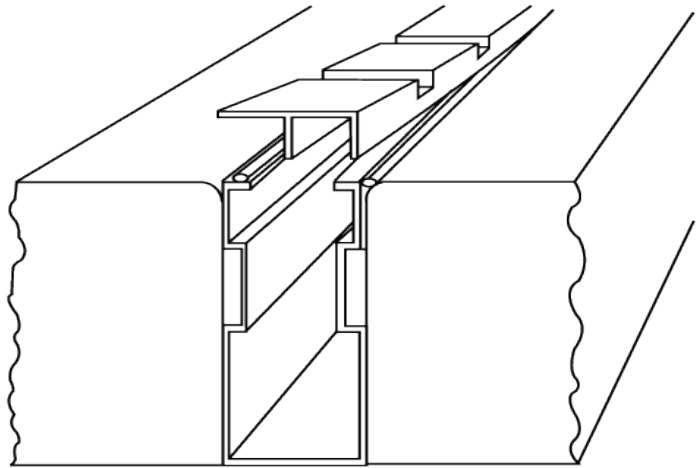


PART #

RD2W-2 - White

RD2T-2 - Tan

PACKAGED: 80' PER CARTON IN 10' LENGTHS



Re-Cover Super Drain

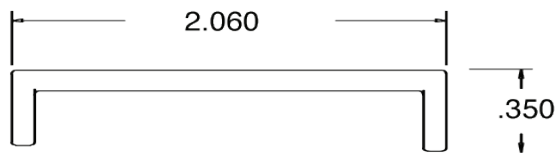
Designed to repair weathered or damaged Super Drain.

(Renovation)

PART #

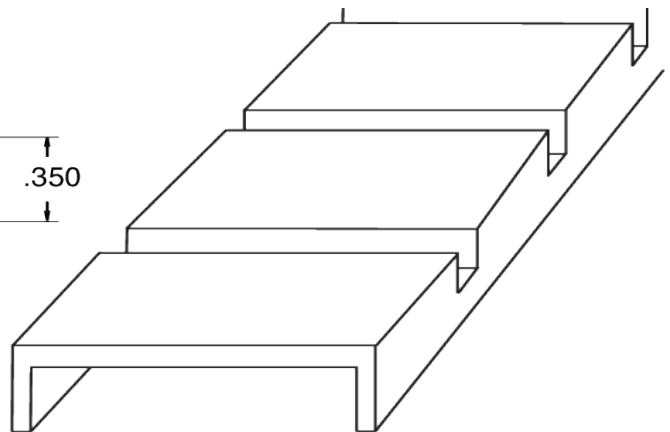
RSD-W - White

RSD-T - Tan



PACKAGED: 80' PER CARTON IN 10' LENGTHS

NOTE: Installation Tips and illustrations see **RE-COVER DRAIN**



Re-Cover Channel Drain

Designed to repair weathered or damaged Channel Drain.

(Renovation)

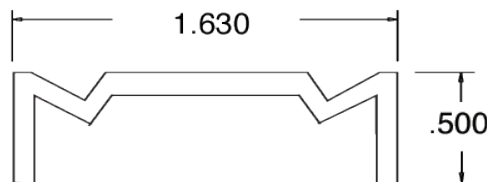
PART #

RCD-W - White

RCD-T - Tan

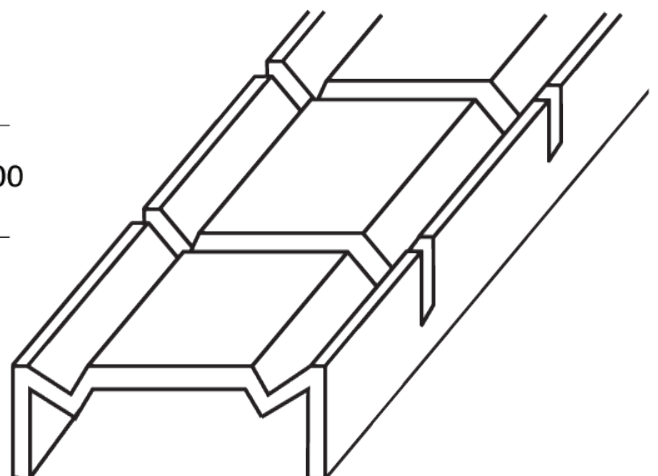
RCD-G - Grey

RCD-B - Black



PACKAGED: 80' PER CARTON IN 10' LENGTHS

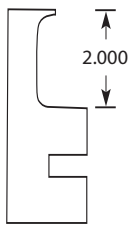
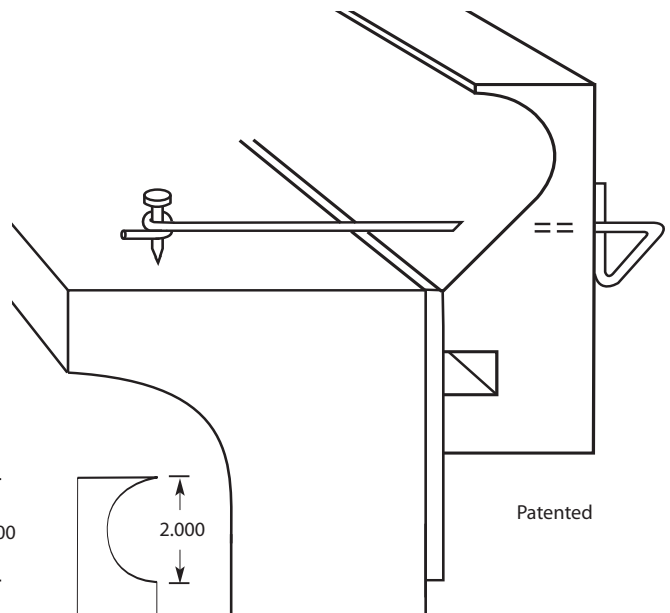
NOTE: Installation Tips and illustrations see **RE-COVER DRAIN**



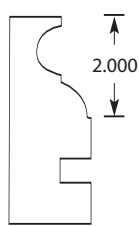
Renovation Forms

This form is used in remodel applications to replace out of date "old fashioned" coping stones. After removing the old coping, Renovation Forms attach to the ceramic tile using double faced tape (Tie Wires are included for extra support). These forms are also used in forming cast-on-site concrete countertops.

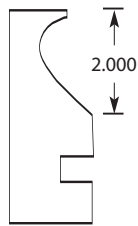
(Renovation)



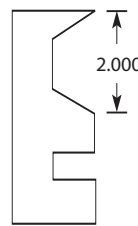
REGULAR
Part #5CF512



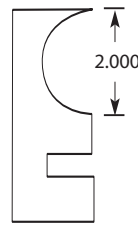
OG
Part #5CF612



CAPSTONE
Part #5CF112



DIAMOND CUT
Part #5CF812



MARBLE ROUND
Part #5CF712

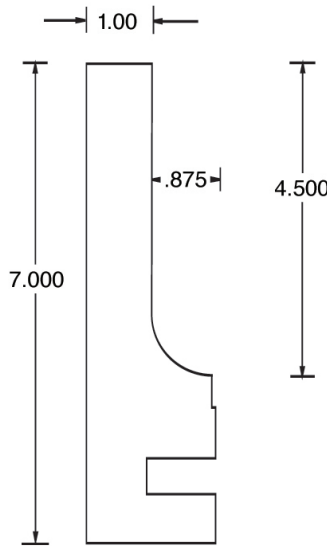
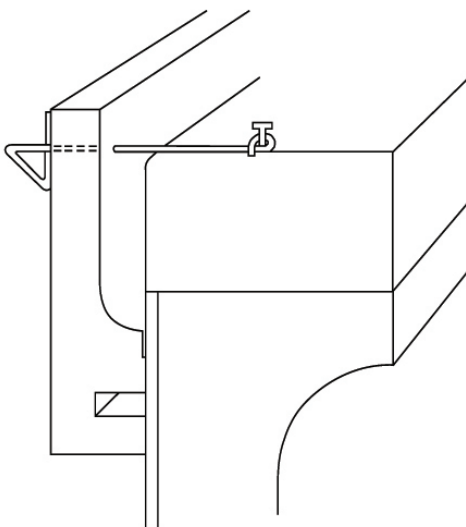
CARTON INCLUDES:

- 112' RENOVATION FORMS
- 1 TIE WIRE SIDE KIT
- 1 INSTRUCTION SHEET

Resin Rock and Deep Resin Rock

This form is designed to be used when applying resin overlays to existing cantilever decks. The forms are lined with tape to prevent the solvent based overlays from dissolving the foam and to leave a smooth surface when removed.

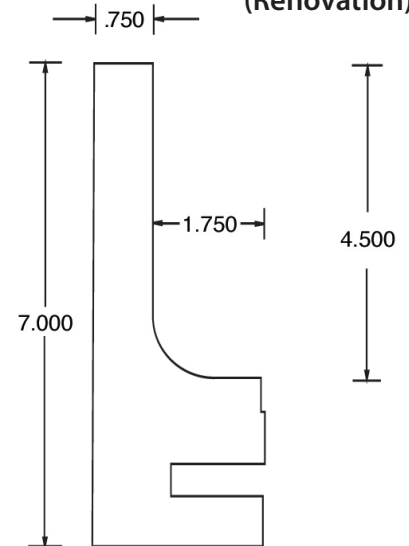
(Renovation)



RESIN ROCK
PART # 15CF999L

CARTON INCLUDES:

- 112' RESIN ROCK FORM
- 1 TIE WIRE SIDE KIT
- 1 INSTRUCTION SHEET



DEEP RESIN ROCK
PART # 11CF999L

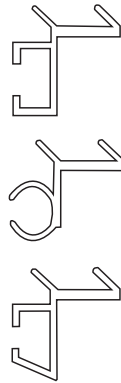
CARTON INCLUDES:

- 112' DEEP RESIN ROCK FORM
- 1 TIE WIRE SIDE KIT
- 1 INSTRUCTION SHEET

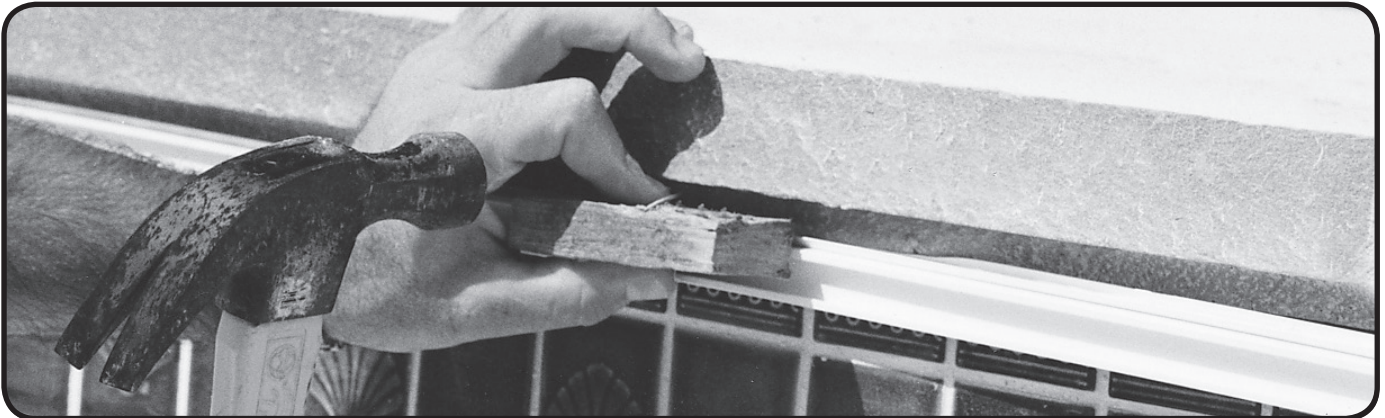
Renovation Fiber-Optic

Renovation Fiber-Optic perimeter lighting channel is easy to install and provides a mechanical attachment. The top flange is designed to compress when inserted into a saw cut 5/8" deep x 1/8" wide. A bead of adhesive placed between the top flanges locks the strip in place.

PACKAGED
112' PER CARTON, 8' LENGTHS
(FLEX TRACK IS ALSO AVAILABLE)



- | Part # | (Renovation) |
|--------|--|
| 7REN4F | For Fiberstars FSSB, FSSB-CABL-42 & Supervision SV23 |
| 7REN6S | For Supervision SV32, SV42, Lumenyte, Fiberstars ELD, BPAK-50, Fiberworks FW 25, FW 50 |
| 7REN7A | For Fiberworks Ultra Glow 25, 50, 75 |

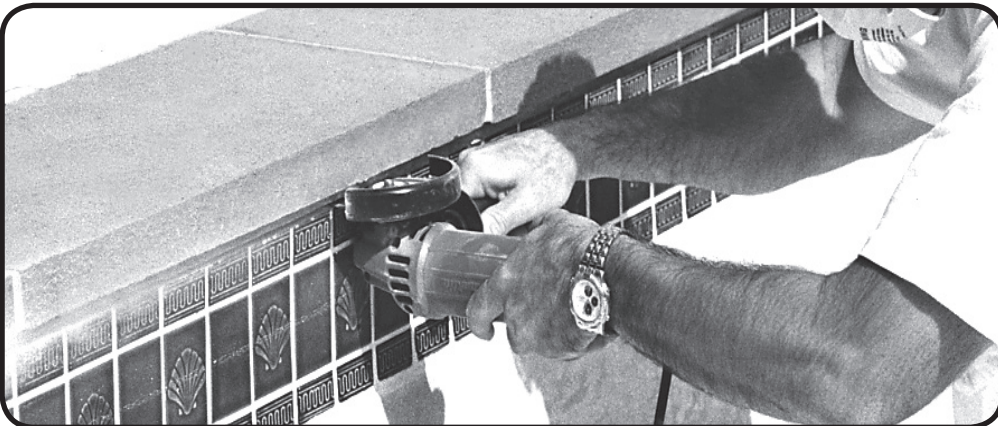
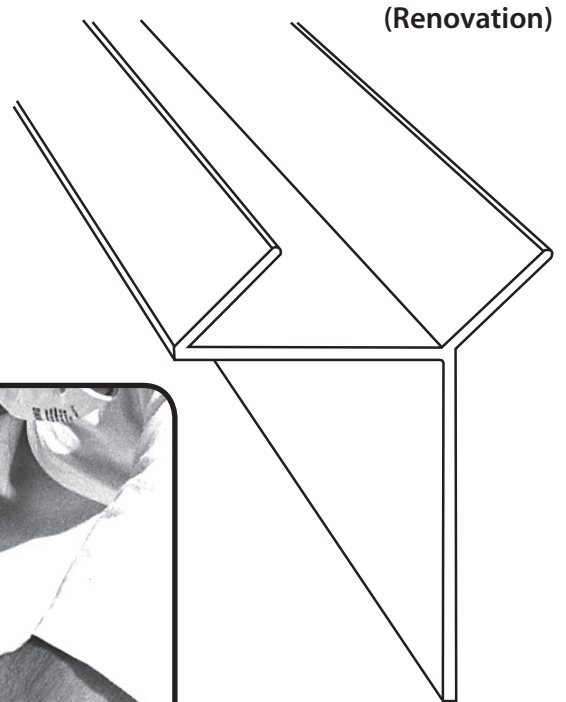


Renovation Tile Strip

Renovation Tile Strip is an innovative design used for replacement and renovation of discolored or broken tile strips. The attachment process is mechanical. The top flange is designed to compress when inserted into a saw cut 5/8" deep x 1/8" wide. A bead of adhesive placed between the top flanges locks the strip in place.

PART # TREN1W - WHITE

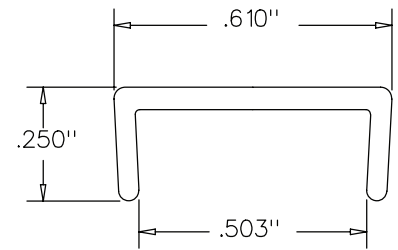
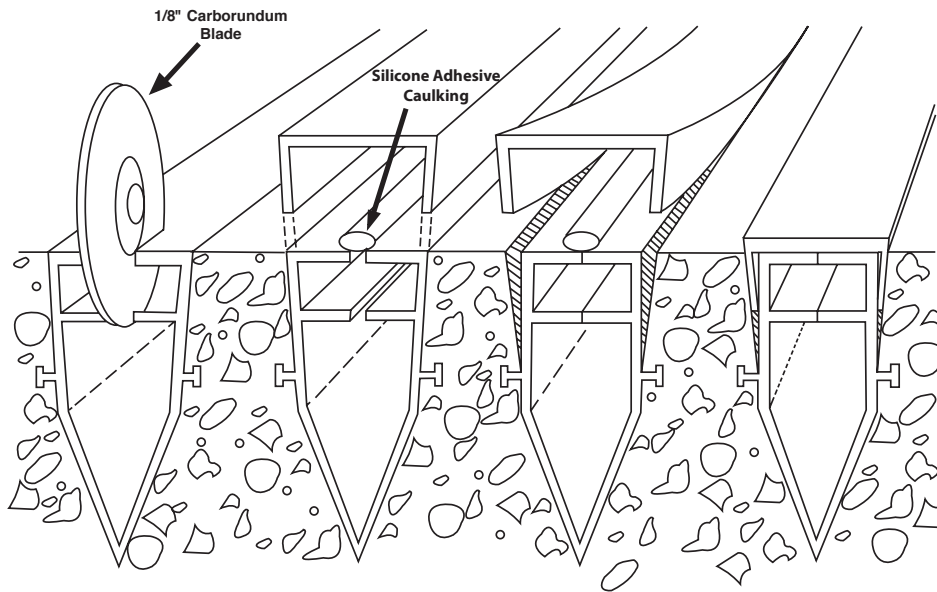
PACKAGED
112' PER CARTON, 8' LENGTHS
(BACK EDGE MAY BE CUT FOR RADIUS)



Re-Cover Strip

THE FIRST TRULY PRACTICAL JOINT REPAIR SYSTEM

(Renovation)



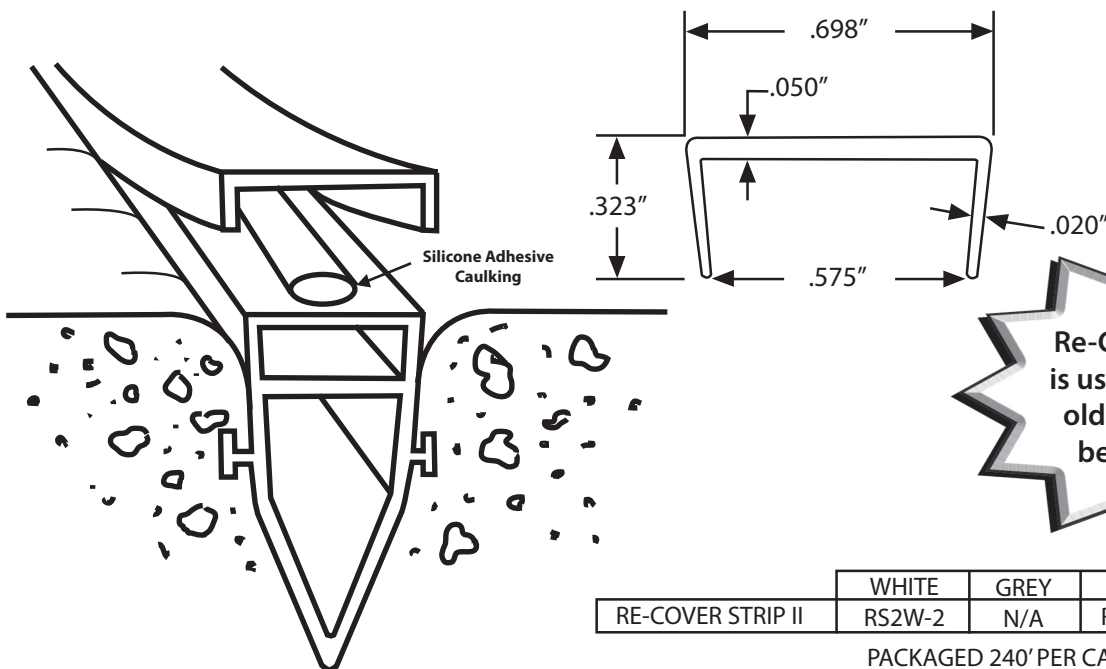
	WHITE	GREY	TAN	BLACK
RE-COVER STRIP	RS2W	RS2G	RS2T	RS2B

PACKAGED 240' PER CARTON, 12' LENGTHS

These replacement covers are the perfect answer for the repair of damaged deck joints. After making a saw cut through the top of the old joint, this product is clipped over the old joint and held in place with adhesive. Re-Cover Strips can be used on joints that have been edged or not edged.

Re-Cover Strip II

(Renovation)



	WHITE	GREY	TAN	BLACK
RE-COVER STRIP II	RS2W-2	N/A	RS2T-2	N/A

PACKAGED 240' PER CARTON, 12' LENGTHS

Deck Renew

RESTORE DECK SURFACES TO A LIKE-NEW APPEARANCE

(Renovation)

Many concrete decks and patios, although still structurally sound, are in need of a facelift.

Deck Renew can restore these decks to a like-new appearance, avoiding the need for costly demolition and reconstruction.

SPECIFICATIONS

Coverage approximately:

150-200 square feet per gallon.

Packaged:

4 one-gallon containers per carton or 5 gallon container

Applicator:

Short to medium nap roller

Clean-Up:

Warm soapy water

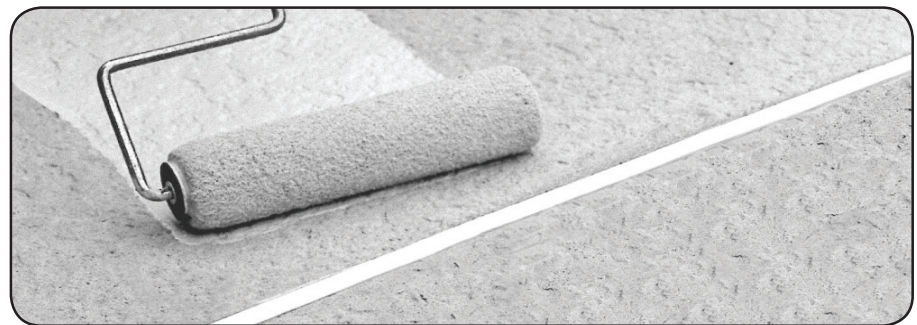
To Prepare Deck:

1. TSP Wash
2. Acid Wash
3. TSP Wash
4. Pressure Wash

COLORS AVAILABLE	1 GALLON	5 GALLON
Lite Sand Buff	DR105P	DR105P-5G
Regular Sand Buff	DR110P	DR110P-5G
Dark Sand Buff	DR115P	DR115P-5G
Dove Grey	DR120P	DR120P-5G
Lite Dove Grey	DR125P	DR125P-5G
Aztec Gold	DR130P	DR130P-5G
Colorado Gold	DR135P	DR135P-5G
Coral Peach	DR140P	DR140P-5G
Buckskin	DR145P	DR145P-5G
Sun Yellow	DR150P	DR150P-5G
Rose Pink	DR155P	DR155P-5G
Golden Sand	DR160P	DR160P-5G
White	DR165P	DR165P-5G
Burly Wood	DR170P	DR170P-5G

Deck Renew is available in 14 pastel shades. This finish tends to retain the highlights in textured surfaces.

***NOT TO BE SOLD OR USED IN THE STATE OF CALIFORNIA**



Touch-Up Kit

A REPAIR FOR: FRONTIER DESERT DECK

(Renovation)



KIT INCLUDES:

- 4 LBS. PRE-MIX (APPROX./ COLORS VARY)
- 3 BOTTLES ADHESIVE
- 1 INSTRUCTION SHEET (ON LABEL)

Can be shipped U.P.S.

As conditions and methods of use of our products are beyond our control, we offer these products in good faith but without guarantee either expressed or implied.

* Covers approximately 5 sq. ft.

COLORS AVAILABLE	PART #
Lite Sand Buff	TU105BK
Regular Sand Buff	TU110BK
Dark Sand Buff	TU115BK
Dove Grey	TU120BK
Lite Dove Grey	TU125BK
Aztec Gold	TU130BK
Colorado Gold	TU135BK
Coral Peach	TU140BK
Buckskin	TU145BK
Sun Yellow	TU150BK
Rose Pink	TU155BK
Golden Sand	TU160BK
White	TU165BK
Burly Wood	TU170BK

Touch-Up Kits are easy to use pre-mixed patch kits designed for small repairs of Frontier Desert Deck.

Touch-Up Kits are made from quality materials in full batch quantities, to provide consistent and dependable color matches for Frontier Desert Deck colors.

Frontier Bonding Agent

Frontier Bonding Agent is a three-stage bonding system used to apply cementitious toppings to existing concrete. The primary coat penetrates into the concrete leaving a completely insoluble membrane once the liquids have evaporated. The second coat is applied after the first coat has dried and effectively seals the surface of the concrete, protecting against uneven suction from the base concrete. The third coat **MUST** be applied to re-wet (or freshen) the surface just prior to applying the topping.

PART #:
FRBA1 - 1 GALLON
FRBA5 - 5 GALLON



Frontier Desert Seal

PROTECTS CONCRETE FROM FREEZE/THAW

Frontier Desert Seal - a colorless, penetrating solution for concrete and Frontier Desert Deck surfaces.

Product description - Frontier Desert Seal is a catalytic agent which reacts with free alkaline hydrates by internally producing an aero silica gel which fills the pore spaces and voids left by the evaporative loss of moisture.

Frontier Desert Seal does not alter the surface's appearance or physical characteristics of Frontier Desert Deck, but will significantly protect concrete from damage caused by the freeze/thaw cycle.

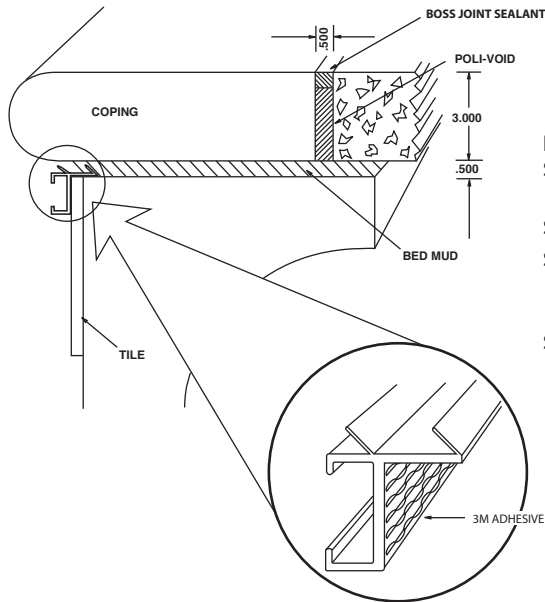
PART #:
DESEAL - 5 GALLON

Coverage: 300- 400 sq.ft. per gallon



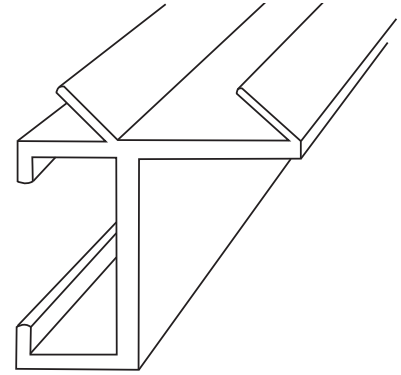
Fiber-Optic II Receiver

INSTALL FIBER-OPTICS ON YOUR COPING OR STONE WORK



INSTRUCTIONS:

- Step 1. Position Fiber-Optic II Receiver on tile with 3M adhesive.
- Step 2. Set coping or stone into place.
- Step 3. Attach Poli-Void to coping or stone with spray adhesive and pour deck.
- Step 4. After deck has cured remove Poli-Void tear strip and apply Boss Joint Sealant.



Fiber-Optic Installation Tool Available.

Note: On tight radii cut the front and back lips of the receiver.

CARTON INCLUDES:

- 112' PER CARTON 8' LENGTHS (FLEX TRACK IS ALSO AVAILABLE)
- 1 5 oz. TUBE OF 3M ADHESIVE

Part

- 3FOR2 For Fiberstars FSSB, FSSB-CABL-42 & Supervision SV23
- 3FOR6 For Supervision SV32, SV42, Lumenyte, Fiberstars ELD, BPAK-50, Fiberworks FW 25, FW 50
- 3FOR8 For Fibeworks Ultra Glow 25, 50, 75

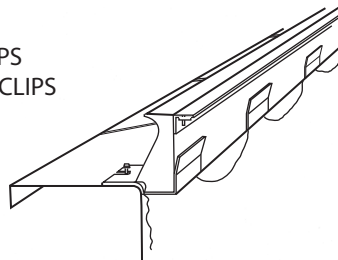
Cantilever Step Kit

Forming system used to install Cantilever edges on molded, preformed steps. **(Liner)**

The Cantilever Step Kit attaches mechanically to the top flat surface of the molded, preformed step. This unique design adapts to virtually any preformed step application.

STANDARD STEP KIT INCLUDES:

- 3 4' STRAIGHT PIECES WITH CLIPS
- 2 PREFORMED CORNERS WITH CLIPS
- 1 48" AND 2 EACH 36" BRACES
- 25 SCREWS AND WASHERS
- 25 TIE WIRES
- 1 PROFILE EDGING TOOL
- 1 ROLL BENDING TAPE



Patented

	Regular	Capstone	Intermediate
STANDARD STEP KIT	1CSK24	9CSK24	2CSK24
RADIUS STEP KIT for radius steps (No corners)	1CSK24-STR	9CSK24-STR	2CSK24-STR
PERIM-A-LITE STEP KIT			Fiber-Optic Installation
			Regular
Fiberstars FSSB, FSSB-CABL-42 & Supervision SV23	1CSK24-FO-F	9CSK24-FO-F	Capstone
Supervision SV32, SV42, Lumenyte, Fiberstars ELD, BPAK-50, Fiberworks FW25, FW50	1CSK24-FO-S	9CSK24-FO-S	
Fiberworks Ultra Glow 25, 50 & 75	1CSK24-FO-A	9CSK24-FO-A	

RADIUS STEP KIT FOR RADIUS STEPS (NO CORNERS)

- 5 4' STRAIGHT PIECES
- 50 SCREWS
- 50 WASHERS
- 50 TIE WIRES
- 1 PROFILE EDGING TOOL
- 1 ROLL BENDING TAPE

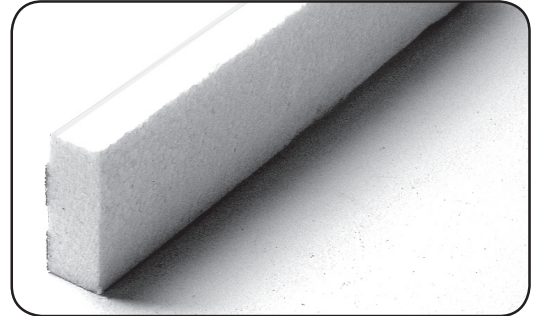
Additional Items

1" Extender Strip

For 1" Cantilevered Edge Extension.

8' length
Part # 6CF999
480' per carton

4' length
Part # 6CF999-32
32' per carton

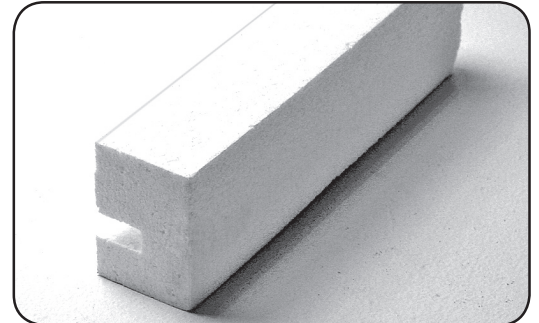


1-3/4" Extender Strip

For 1-3/4" Cantilevered Edge Extension.

8' length
Part # 7CF999
240' per carton

4' length
Part # 7CF999-32
32' per carton



Bracket Side Kit

Includes 85 Washers, 85 Slip Fasteners, 85 Anchor Pins (Straight or Nail-On), 100 Concrete Nails and 1 roll Bending Tape.

(Straight) Part # CFA005

(Nail-On) Part # CFA006



S-Clip

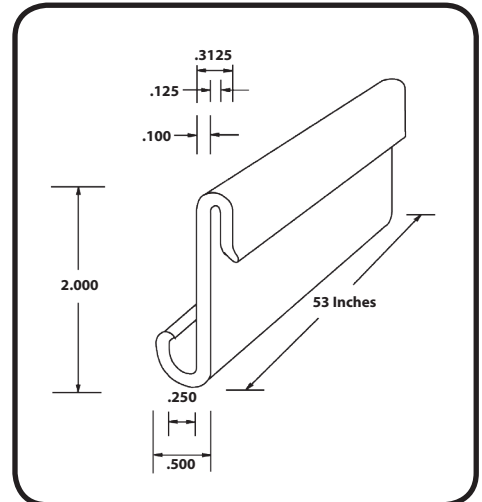
Liner Receptor used on Above Ground Liner Pools.

Stegmeier's S-Clip has a heavier gauge liner bead receiver that resists liner roll-out. This heavy-duty extrusion slips down over the top of the pool wall adding rigidity while holding the liner bead firmly in place. With this design, the stabilizing bar may be clipped over the top of the S-Clip instead of being threaded from the end.

PART # S-CLIP

Packaged 40 pieces per carton.

- HEAVY-DUTY DESIGN
- STABILIZER BAR MAY BE CLIPPED OVER
- UV-RESISTANT MATERIAL
- 53-INCH LENGTHS



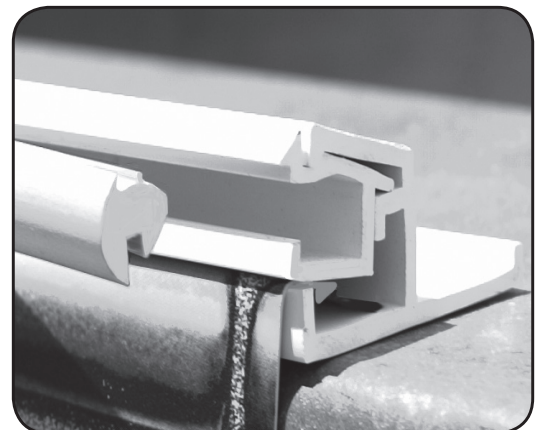
Filler Strip

To fill the gap that is left when using Clip-Loc Form with Insert Liner Track.

Packaged 112' (112' lengths/ 1 roll)

Part # FLS122
Grey

Part # FLS112
White



No Gum Tape

This tape provides a removable protective film that leaves no gum residue. The Cantilever Forms may be attached directly to the tape surface. This product is recommended for use with one-piece fiberglass pools and liner pools having the liner installed prior to pouring the deck.

2" x 60 yard

Part # 4287 -12
(12 Rolls per ctn)

Part # 4287
(1 Roll)



Tie Wire Side Kit

Includes 100 Tie Wires, 100 Concrete Nails, and 1 roll Bending Tape.

5 per carton

PART # CFA001

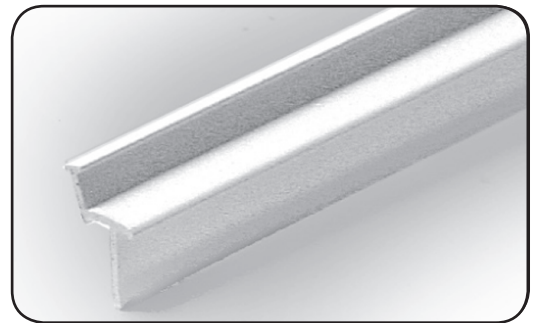


Tile Strip

To be used with Cantilever Forms.

112' per carton - 8' lengths

Part #		
TILE-B	-	BLACK
TILE-G	-	GREY
TILE-T	-	TAN
TILE-W	-	WHITE

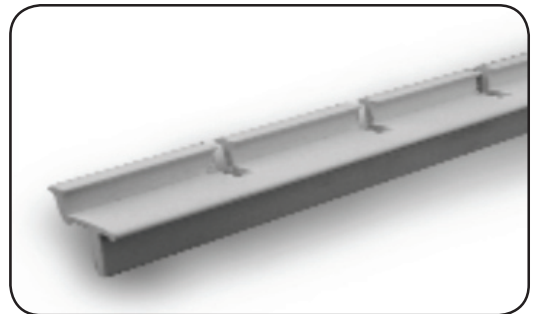


Tile Strip-Flex

To be used with Cantilever Forms. Pre cut for flexibility.

112' per carton - 8' lengths

Part #		
TILE-B-FLEX	-	BLACK
TILE-G-FLEX	-	GREY
TILE-T-FLEX	-	TAN
TILE-W-FLEX	-	WHITE



Urethane Side Kit

Includes 2 Setting Agents, 2 Base, 3 Applicator bottles and 1 roll Bending Tape.

Part # CFA013



Release Agent 1 per carton

A water based release agent that is compatible with expanded polystyrene. (Note: do not use release agent where additional toppings, coatings, etc....will be applied).

RELEASE AGENT - QUART PART # RA-Q
RELEASE AGENT - GALLON PART # RA-G



Selig

Cleaner used to remove the gum residue from the tile left by the deck forms.

Shipped UPS Ground only.

Part # SELIG001



Skimmer Lid Extender

Reusable foam Skimmer Extension Collars.

6 per Carton for U-3 Skimmer Lid

Part # MS002



Countertop Side Kit

Includes 25 Tie Wires, 25 Wood Screws, and 1 roll Bending Tape.

Part # CFA007



Tie-Wire System

1. TILE SETTING REQUIREMENTS

- Tile must be set from the high point of the bond beam.
- The remainder of the bond beam must be level with the top of the tile.
- Scrape the top of the tile to clean away any debris which could cause the tile strip to fit unevenly around the perimeter.

2. SETTING THE FORM

- DO NOT set forms until the day of the pour.
- Tile MUST be dry and free of dust.
- Remove the brown paper from the double faced tape.
- Stick forms to the tile, placing the lower radius even with the top of the tile.
- Note: During cold weather the tile may need to be warmed using a heat gun. Apply heat (one foot at a time) just prior to sticking the form.
- Sharp corners may be mitered with a sharp knife.
- Forms should be spaced using center portion for tight radii.

3. PRE-BENDING THE FORM

It may be necessary to pre-bend the form on radii less than 48 inches.

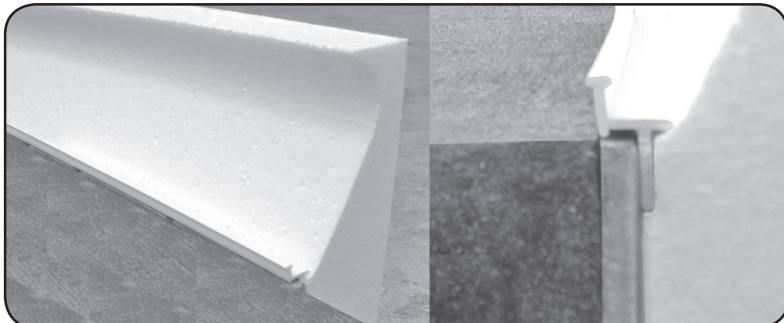
- Place strips of bending tape on the form. Be sure the tape is rubbed down tight for proper adhesion.
- Pre-bend the form across your knee before removing the paper from the double faced tape.

The Principle to Remember:

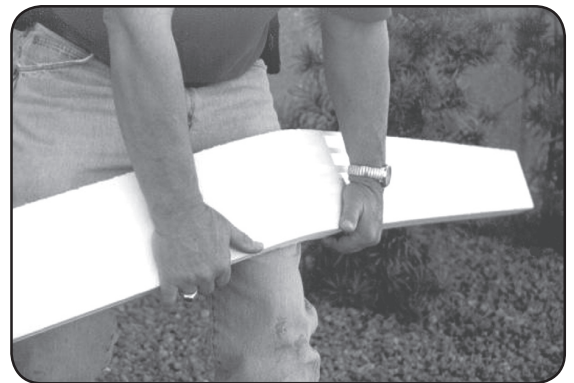
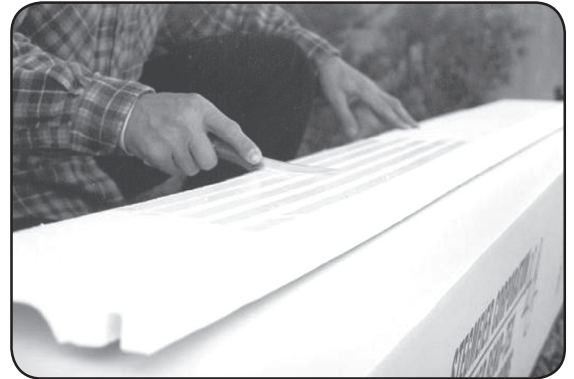
Bending tape is used to prevent the form from breaking on one side while allowing you to compress the other.

4. PLACING THE TILE STRIP

- Press tile strip into the slot provided between the tile and form.



Pre-Bending the Form (OUTSIDE RADIUS)



Pre-Bending the Form (INSIDE RADIUS)



HELPFUL HINTS TO REMEMBER

- On square corners and tight radii, it may be helpful to notch the back of the tile strip to allow for bending.
- Pruning shears are a useful tool for notching the tile strip.

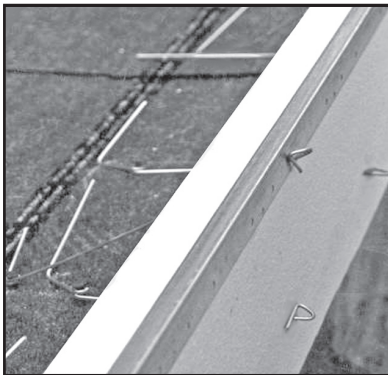
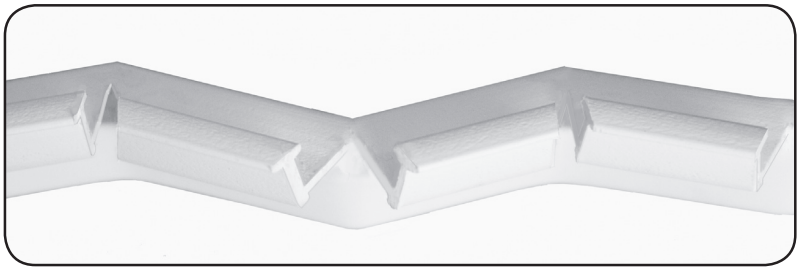
5. APPLICATION OF TIE WIRES

- Secure the form with tie wires 14 inches on center, pushing the wire through the form. This technique braces the formwork to the tile, using the tile strip to apply a slightly upward pressure.
- Drive nails into the bond beam approximately 8 inches behind the tile. Secure tie wires with a turn around the nail while applying slight pressure against the form.
- Secure the form, tile strip and tie wires as you progress around the perimeter of the pool.
- DO NOT pre-grout the form.
- For ease of removal when stripping forms, pull E-Z Strip tapes. The continuous filament tape now allows the form to be removed in one section.

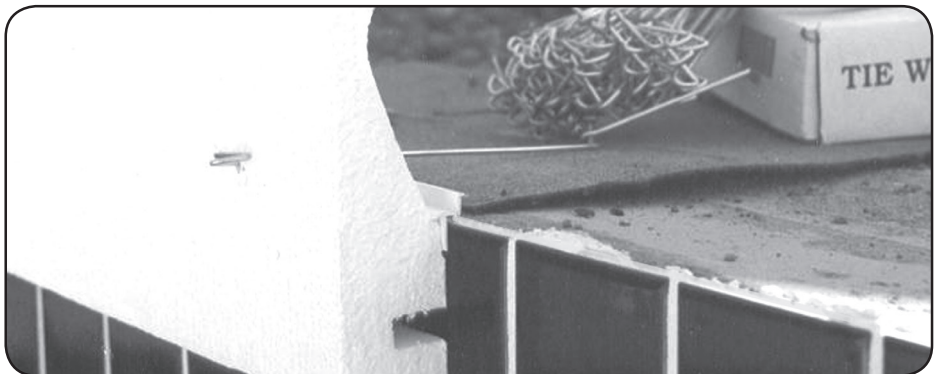
Handy tip:

Push tie wires through the form from the face side first, allowing for the correct elevation placement of the tie wires.

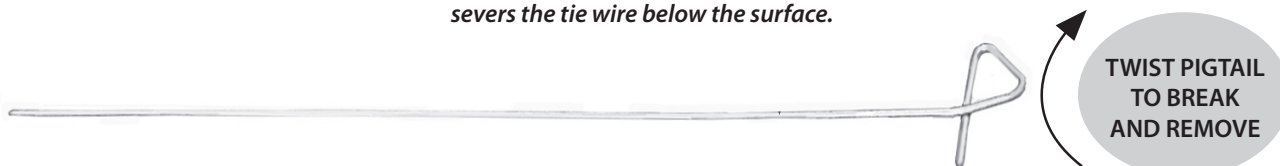
Place # 15lb. roofing paper on top of the bond beam. This serves as an excellent cold joint material preventing adhesion between the top of the bond beam and the over-pour.



To hold straight sections true, it may be helpful to use metal corner strips (plaster board corner bead). Push tie wires through both the corner strip and form and secure to the concrete nail as shown.



The aluminum tie wires have been pre-scored for your convenience. When removing the formwork, a twist of the pigtail severs the tie wire below the surface.



Urethane Mastic System

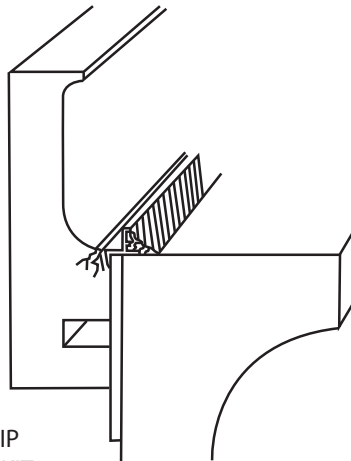
REGULAR

PART # 120UR3

Patented

CARTON INCLUDES:

- 112' REGULAR FORM
- 112' BLACK TEAR STRIP
- 1 URETHANE SIDE KIT
- 1 INSTRUCTION SHEET



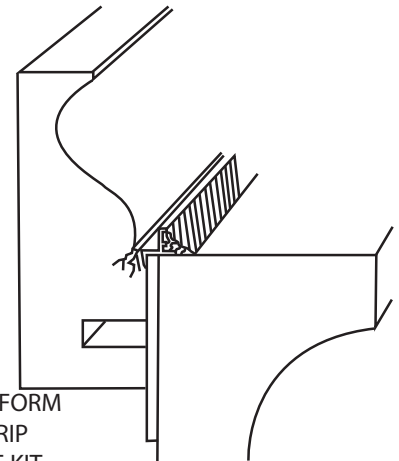
INTERMEDIATE

PART # 220UR3

Patented

CARTON INCLUDES:

- 112' INTERMEDIATE FORM
- 112' BLACK TEAR STRIP
- 1 URETHANE SIDE KIT
- 1 INSTRUCTION SHEET



FORM MAY BE ORDERED WITHOUT TEAR STRIP OR URETHANE SIDE KIT. TEAR STRIPS MAY BE ORDERED IN VARIOUS COLORS THEREFORE PART # IS SUBJECT TO CHANGE.

Also available in Commercial and Pool Cover Profiles.

1. TILE SETTING REQUIREMENTS

- Tile must be set from the high point of the bond beam.
- The remainder of the bond beam must be leveled with the top of the tile so that expansion and contraction of the deck does not disturb the tile. (See Fig. A)

2. BEFORE SETTING CANTILEVER FORM

You must check:

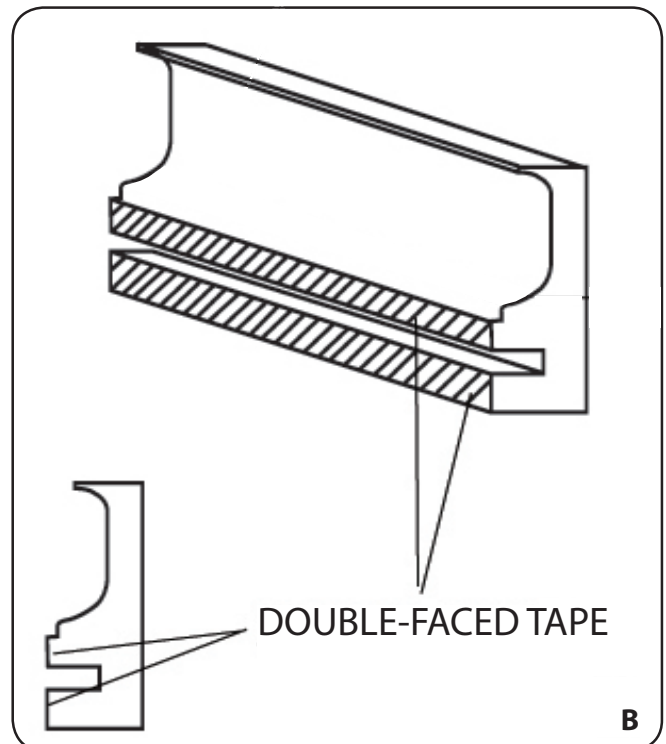
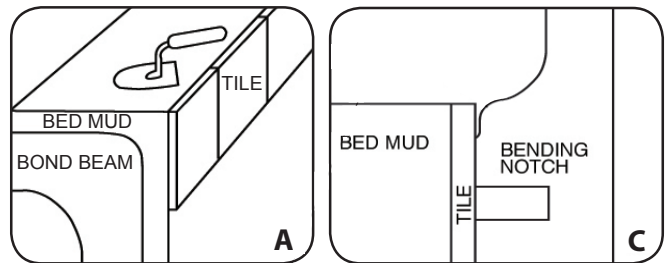
- Tile must be dry and free of dust.
- Tile bed must be dry.
- Scrape the top of the tile to clean away debris which could cause Tear Strip to fit unevenly around the perimeter.

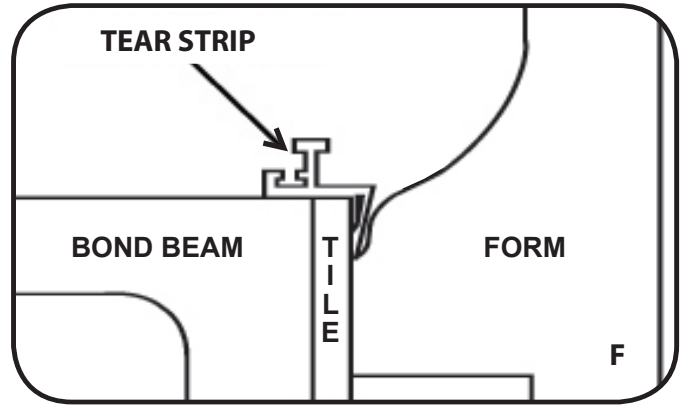
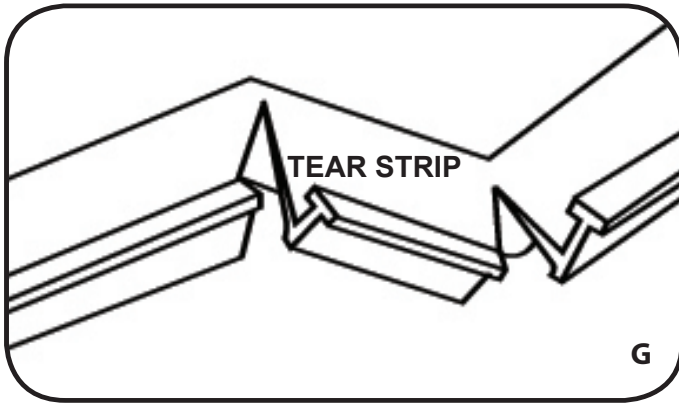
3. SETTING THE FORM

- Remove the brown paper from the double-faced tape.
- Stick forms to the tile, placing the bottom edge of the profile even with the top of the tile. (See Figs. B and C)
- Sharp corners may be mitered with a sharp knife.
- Note: During cold weather the tile may need to be warmed using a heat gun. Apply heat (one foot at a time) just prior to sticking the form.

4. PLACING THE TEAR STRIP

- Press Tear Strip into the slot provided between the tile and form.(See Fig. F)





HELPFUL HINTS TO REMEMBER

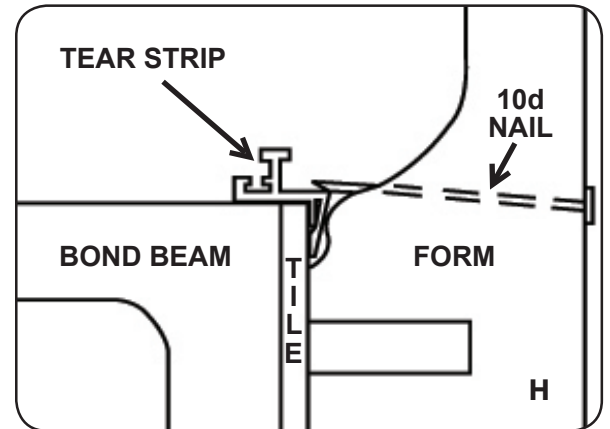
- In square corners and tight radii, it may be helpful to notch the back of the Tear Strip to allow for bending. (See Fig. G)
- Pruning shears are a useful tool for notching the Tear Strip.
- The end of the Tear Strip may be held more securely by inserting a 10-penny nail. (See Fig. H)

5. MIXING URETHANE MASTIC

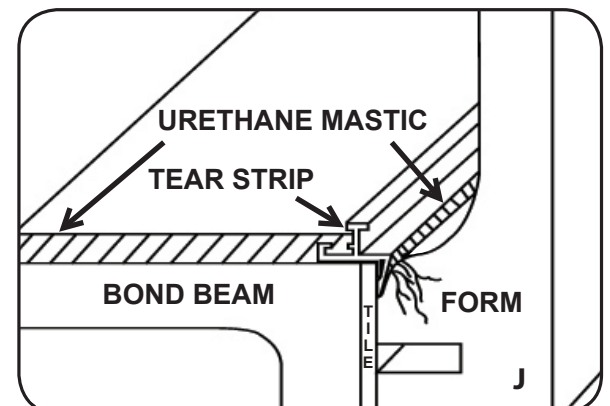
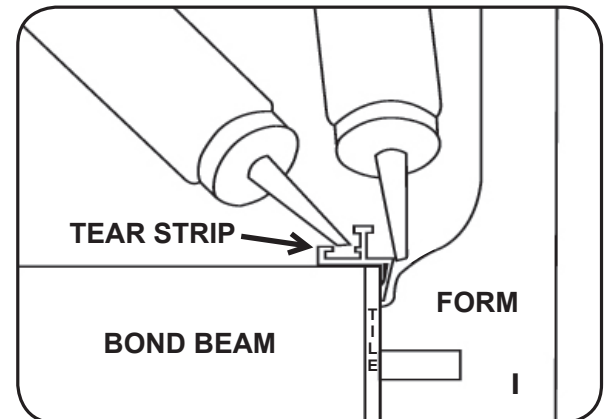
- Check all forms and Tear Strip prior to mixing, as a 20-MINUTE POT LIFE of mastic leaves little time for later correction.
- Prepare the application bottle first. Using a knife, cut off 1/8 inch of the applicator cap. Set cap and bottle aside.
- Using a can opener, cut the bottom out of the setting agent can. This allows you to pour EVERY drop of the setting agent into the base.
- Scrape bottom and sides while mixing. Whip like cake batter for one minute ONLY, then pour into the applicator bottle.

6. APPLICATION OF URETHANE MASTIC

- By dragging the applicator, pour a small bead of mastic between the Tear Strip and form. (See Fig. I)
- After pouring the remainder of mastic into the applicator bottle, cut the tip of applicator cap off to approximately 1/2".
- Pour remainder of mastic into the back of the Tear Strip, allowing it to spill over onto the tile bed mud. (See Fig. I) Wipe the excess mastic off Tear Strip. (See Fig. J)
- Urethane mastic is now bonding the form to the Tear Strip and the Tear Strip to the tile bed mud. (See Fig. J)
- Wait two hours before pouring the concrete deck; or, more convenient, set your forms the day before. It is very important to separate your Cantilever deck from the tile bed mud by using 15 lb. felt (or like material). Failure to do so could cause broken tile due to expansion and contraction of the deck.



POUR MASTIC AS RAPIDLY AS POSSIBLE



Quick Reference



CAPSTONE FORM



REGULAR FORM



DEEP REGULAR FORM



INTERMEDIATE FORM



COMMERCIAL FORM



SANDSTONE FORM



OG - FORM



CLIP-LOC CAPSTONE



CLIP-LOC INTERMEDIATE



CLIP-LOC REGULAR



PERIM-A-LITE CAPSTONE



PERIM-A-LITE REGULAR



FIBER-OPTIC CAPSTONE



FIBER-OPTIC REGULAR



DEEP RESIN ROCK



RESIN ROCK WITH 1" EXTENDER



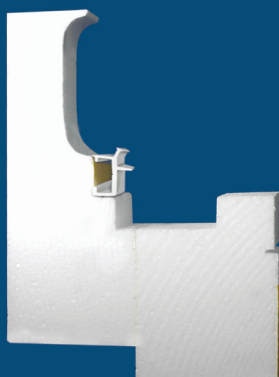
POOL COVER E



STAMP-A-FORM



POOL COVER FORM
WITH 1-3/4" EXTENDER



FIBER-OPTIC POOL COVER REGULAR



FIBER-OPTIC POOL COVER CAPSTONE



POOL COVER FORM II

Quick Reference

RENOVATION FORM OR COUNTERTOP FORMS



CAPSTONE



REGULAR



DIAMOND CUT



O-G



MARBLE ROUND



STEP LEDGER



OG 400 WALL CAP FORM



OG 600 WALL CAP FORM



CAPSTONE 350 WALL CAP FORM



REGULAR 360 WALL CAP FORM



MINI CAP 300 WALL CAP FORM



MARBLE ROUND



REGULAR

BACKSPLASH FORMS



FOAM PROFILE EDGING TOOL CAPSTONE



FOAM PROFILE EDGING TOOL REGULAR



CAPSTONE STEP LINER



REGULAR STEP LINER



INTERMEDIATE STEP LINER



COMMERCIAL STEP LINER



SANDSTONE STEP LINER



SAFETY TREAD STEP LINER



CHILD SAFETY GRIP FORMING SYSTEM 1 3/4" RADIUS TOOL

CHILD SAFETY GRIP FORM



TILE LEDGER BOARD



POLI-VOID 1/4" OR 1/2" X 1-1/2"



POLI-VOID 1/4" OR 1/2" X 3"



CHAMFER CLIPS



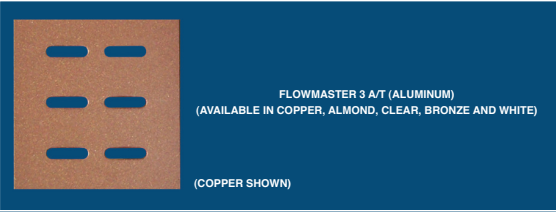
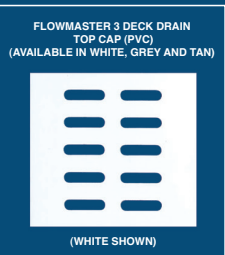
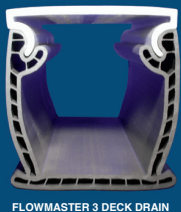
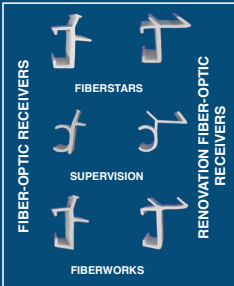
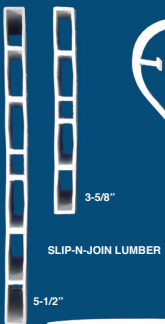
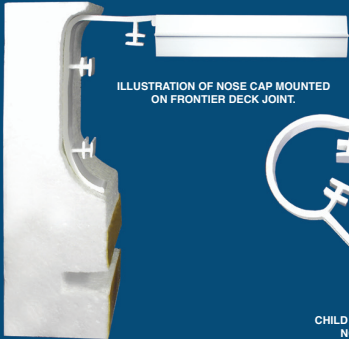
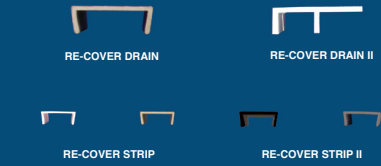
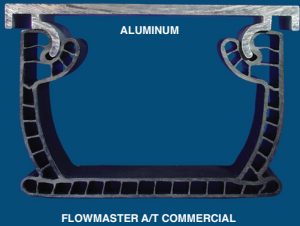
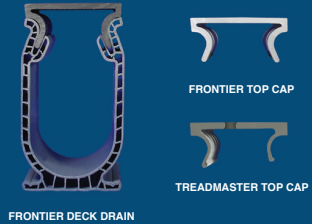
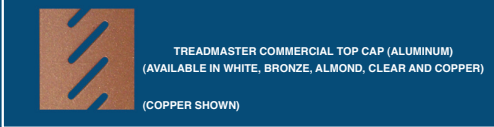
STAINLESS STEEL TROWEL

S-CLIP



TIE WIRE

Quick Reference

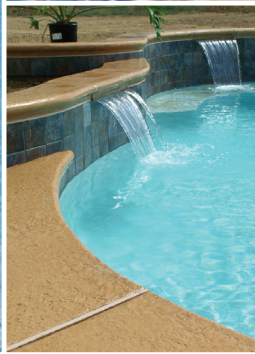


Frontier Desert Deck

Is an additive, available in 14 pastel colors that when mixed with marble sand and white cement and applied properly, produces a "Dash Finish" that is ideal for residential and commercial swimming pool decks.

Reduce the temperature of your deck

*Available in
 14 colors*



Coolness

Because of the pastel shades, texture and marble sand, Frontier Desert Deck is noticeably cooler than broom finish concrete.

Safety

When applied properly, Frontier Desert Deck retains a non skid quality even when wet.

FD105C	Lite Sand Buff
FD110C	Regular Sand Buff
FD115C	Dark Sand Buff
FD120C	Dove Grey
FD125C	Lite Dove Grey

FD130C	Aztec Gold
FD135C	Colorado Gold
FD140C	Coral Peach
FD145C	Buckskin
FD150C	Sun Yellow

FD155C	Rose Pink
FD160C	Golden Sand
FD165C	White
FD170C	Burly Wood

Packaged: 8 units per carton

This finish tends to retain the highlights in textured surfaces. Covers 250-300 square feet per unit.

Color chips represent flat sheen. Color chips are affected to some degree by the type of light in which they are viewed, exposure to heat, sunlight and also the age of the chip itself. Occasionally, there may be a slight difference between the color and sheen of the chip shown and the actual Frontier Desert Deck surface. Darker shades produce warmer temperatures.

TEXTURIT

TEXTURED POOL FORMING SYSTEM

- User Friendly Foam Forms
- Reusable Liners
- Conforms to Virtually any Pool Shape

Patented

NEW PRODUCT

TEXTURIT FORM - WHITE - 23CF112
TEXTURIT FORM - GREY - 23CF122
TEXTURIT FORM - TAN - 23CF132
TEXTURIT FORM - BLACK - 23CF162
TEXTURIT FORM - **NO TILE STRIP** - 23CF111

Carton Includes:

112' Texturit Form, 112' Tile Strip and 1 roll Bending Tape

TEXTURIT LINER - 23TM60

Carton Includes:

60' of Liner

STEGMEIER
LLC



Since 1968

800-382-5430 - Customer Service 800-356-3602 - Toll-free Fax

www.stegmeier.com